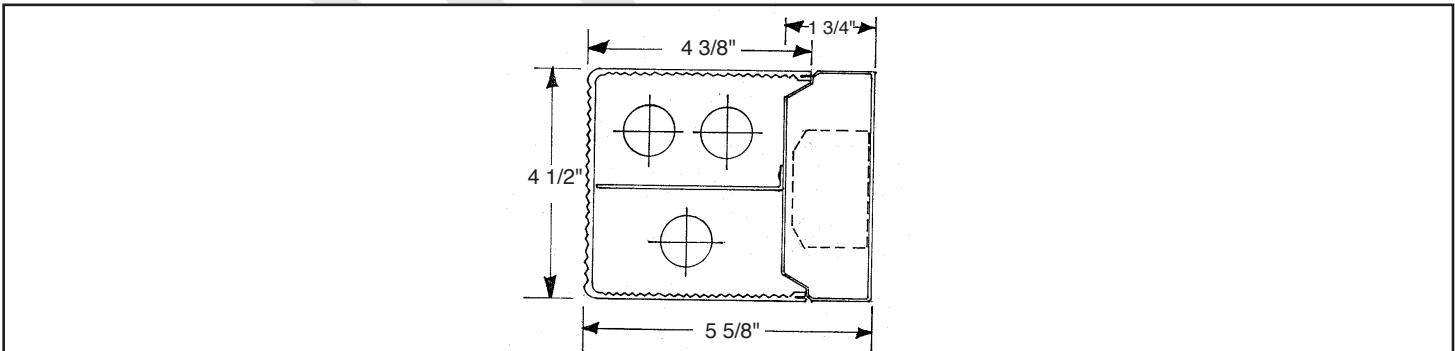
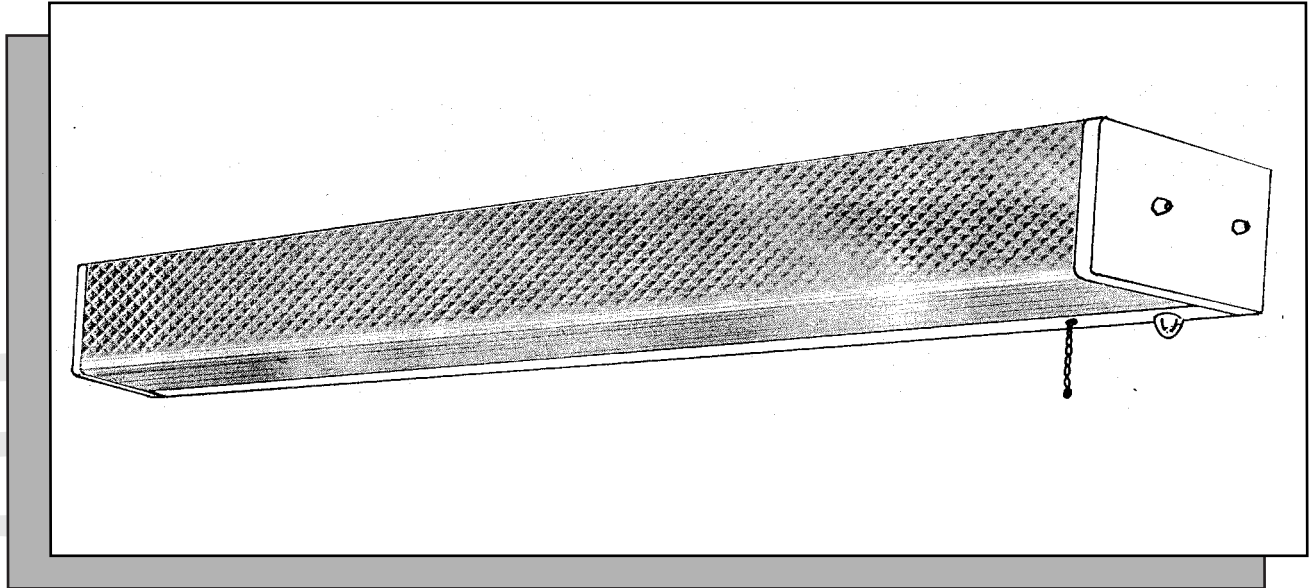
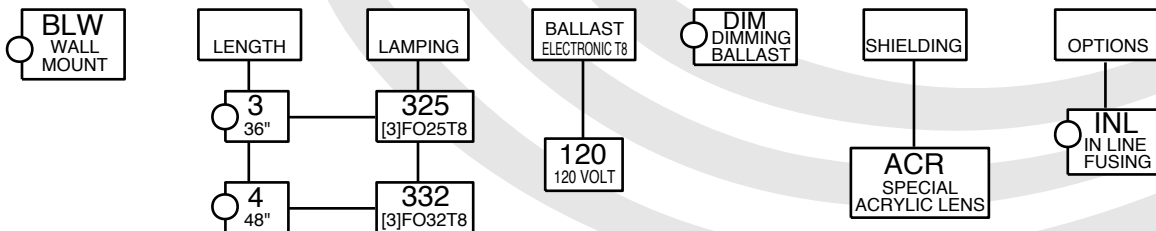


BLW SERIES

WRAP AROUND BED LIGHT



ORDERING DATA



Specifications BLW SERIES

DESCRIPTION: Wraparound bed light with separate up and down light component.

HOUSING: Precision die formed 20 gauge cold rolled steel. Welded construction for rigidity. The socket plates and ballast cover are easily accessible for servicing.

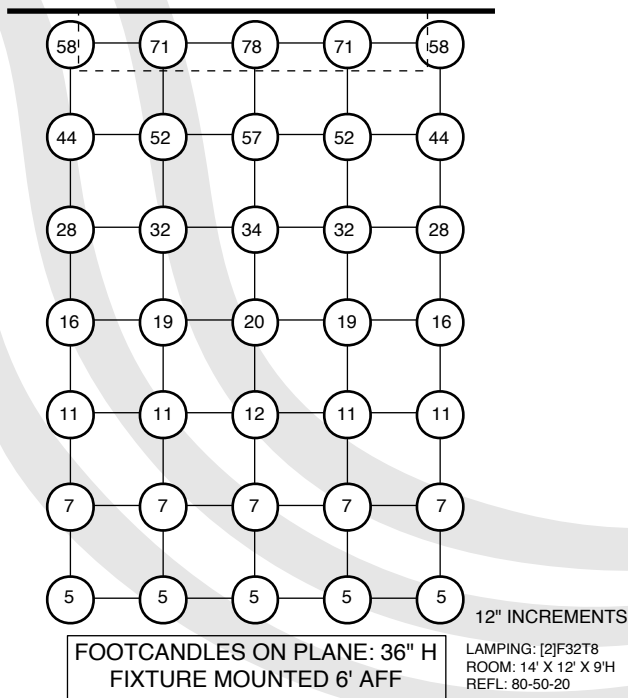
SHIELDING: Extruded UV stabilized clear acrylic with linear prisms on top and bottom and K12 pattern on front. Combination pattern reduces glare without major light loss.

BALLAST: Electronic T8, Class "P". CBM-ETL certified. Consult factory for magnetic T12 ballast

FINISH: All steel parts are treated with the HASCO "Perm-O-Last" multi-stage rust inhibitive process. Standard finish is a durable baked white enamel with a minimum reflectance of 90%. Consult factory for other colors and finishes. Fixture is post painted.

LABELING: All HASCO fixtures are U.L. approved and IBEW union made.

FOOTCANDLE DISTRIBUTION



Data subject to change
Please consult factory for
additional information.