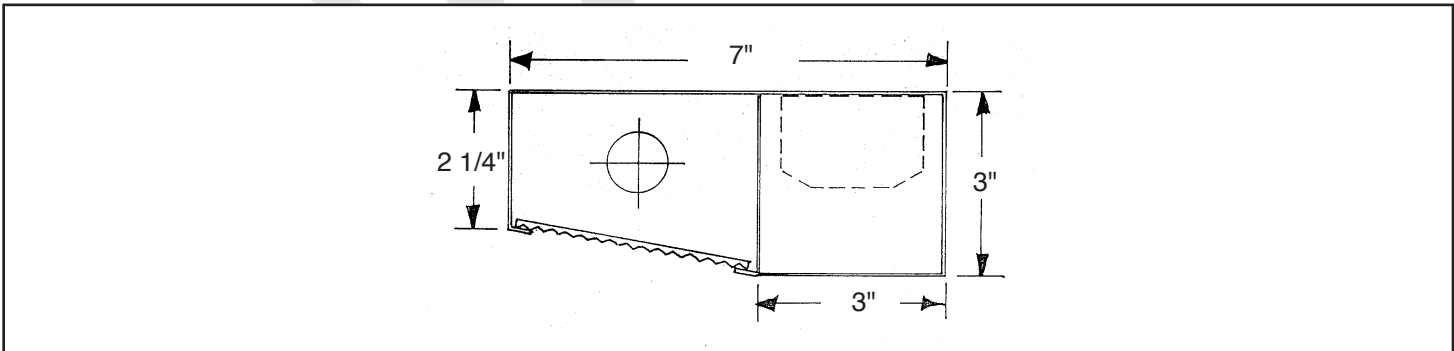
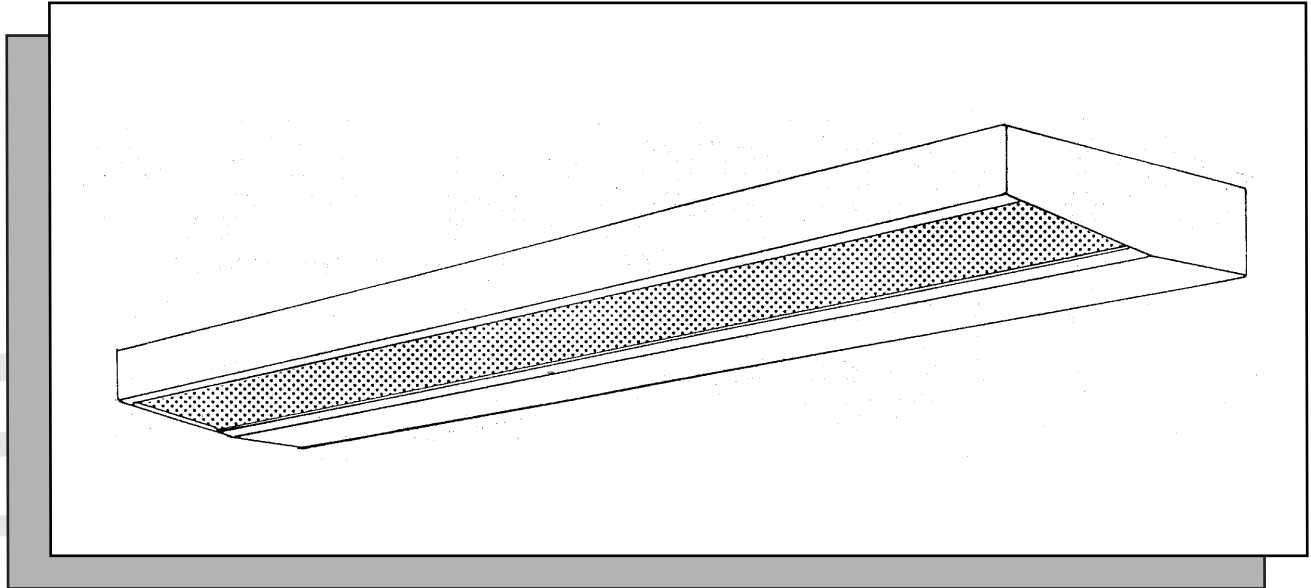
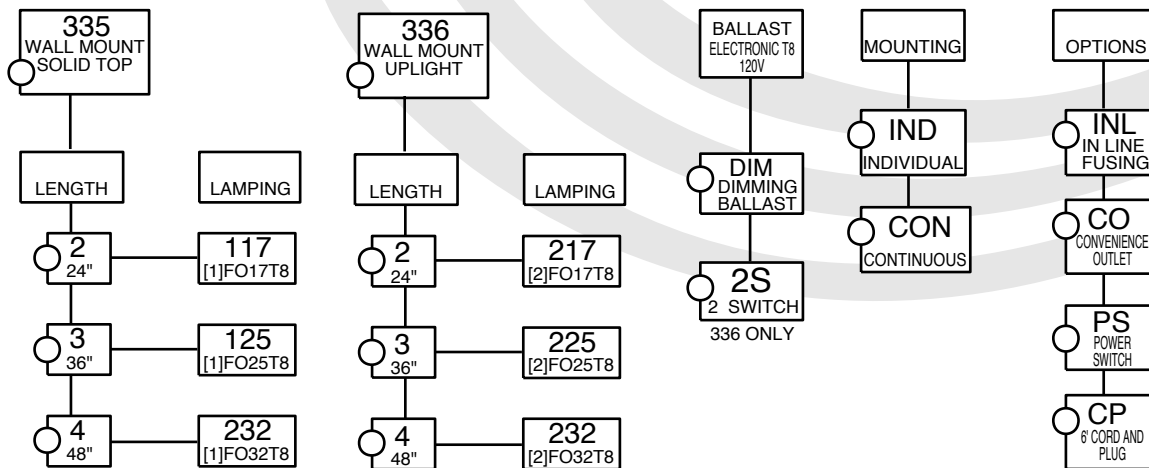


# 335 SERIES

## FLUORESCENT WALL BRACKET



### ORDERING DATA



# Specifications 335 SERIES

**DESCRIPTION:** Versatile wall bracket with down light or up/down light with separate up and down light component. Slender profile

**HOUSING:** Precision die formed 20 gauge cold rolled steel. Welded construction for rigidity. The socket plates and ballast cover are easily accessible for servicing.

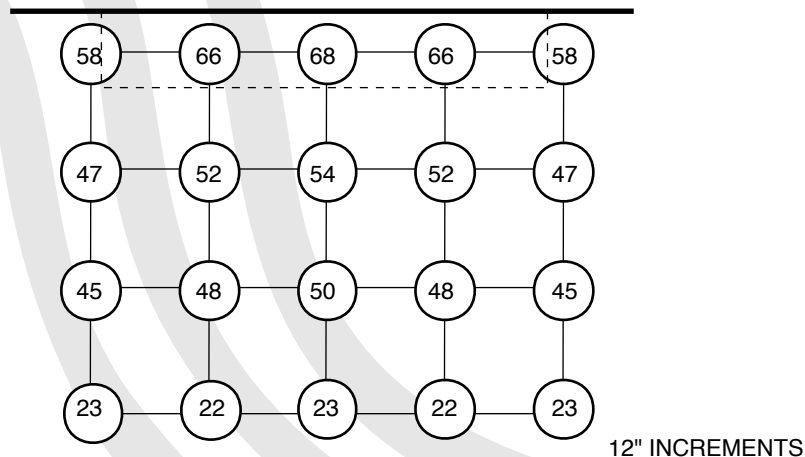
**SHIELDING:** Extruded UV stabilized clear acrylic with K12 pattern.

**BALLAST:** Electronic TB, Class "P", CBM-ETL certified. Consult factory for magnetic T12 ballast

**FINISH:** All steel parts are treated with the HASCO "Perm-O-Last" multi-stage rust inhibitive process. Standard finish is a durable baked white enamel with a minimum reflectance of 90%. Consult factory for other colors and finishes. Fixture is post painted.

**LABELING:** All HASCO fixtures are U.L. approved and IBEW union made.

## FOOTCANDLE DISTRIBUTION



FOOTCANDLES ON PLANE: 30" H  
FIXTURE MOUNTED 6' 8" AFF

LAMPING: [2]F32T8  
ROOM: 13' X 5' X 9'H  
REFL: 80-50-20

Data subject to change  
Please consult factory for  
additional information.