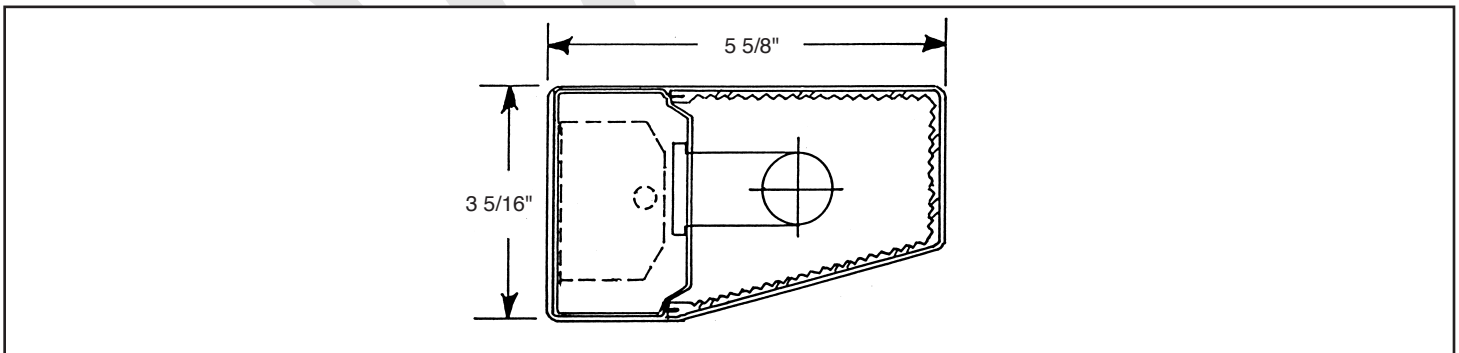
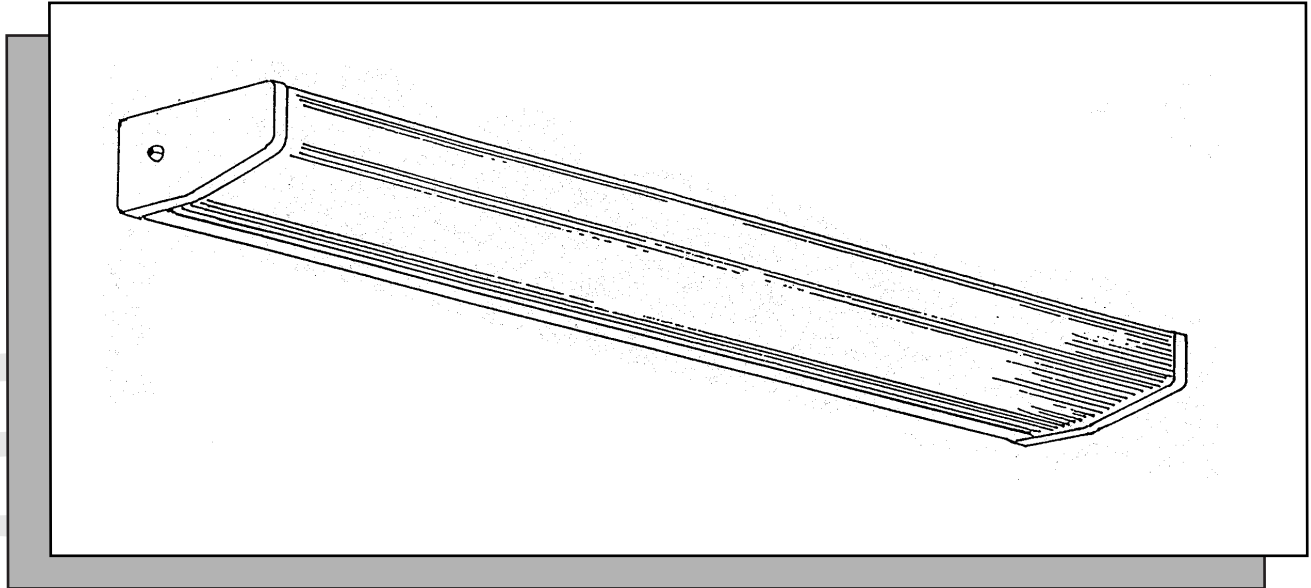
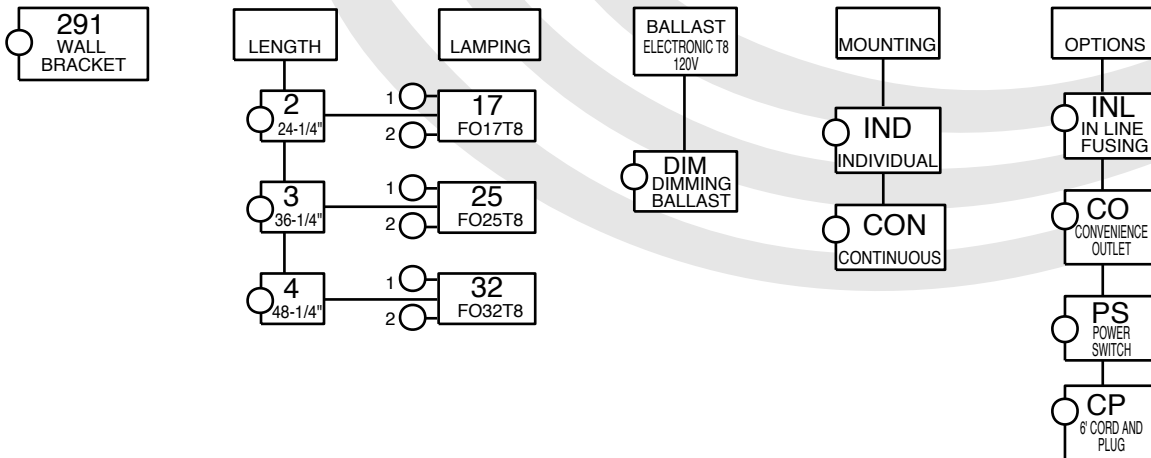


291 SERIES

Wall Mount



ORDERING DATA



Specifications 291 SERIES

DESCRIPTION: Versatile wall bracket can be used over mirrors, sinks, corridors and lobbies. Available in individual or continuous runs. Pin switch, convenience outlet optional.

HOUSING: Precision die formed 20 gauge chrome plated steel. Welded construction for rigidity. The socket plates and ballast cover are easily accessible for servicing.

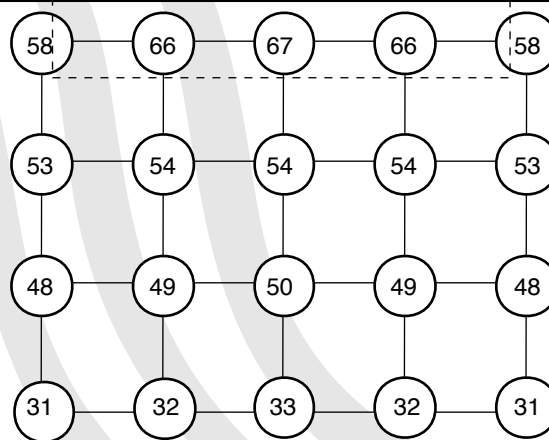
SHIELDING: Extruded UV stabilized opal high impact acrylic with linear prisms.

BALLAST: Electronic T8, Class "P", CBM-ETL certified. Consult factory for magnetic T12 ballast

FINISH: All steel parts are treated with the HASCO "Perm-O-Last" multi-stage rust inhibitive process. Standard finish is a durable baked white enamel with a minimum reflectance of 90%. Consult factory for other colors and finishes. Fixture is post painted.

LABELING: All HASCO fixtures are U.L. approved and IBEW union made.

FOOTCANDLE DISTRIBUTION



12" INCREMENTS

FOOTCANDLES ON PLANE: 30" H
FIXTURE MOUNTED 6' 8" AFF

LAMPING: [2]F32T8
ROOM: 13' X 13' X 9' H
REFL: 80-50-20

Data subject to change
Please consult factory for
additional information.