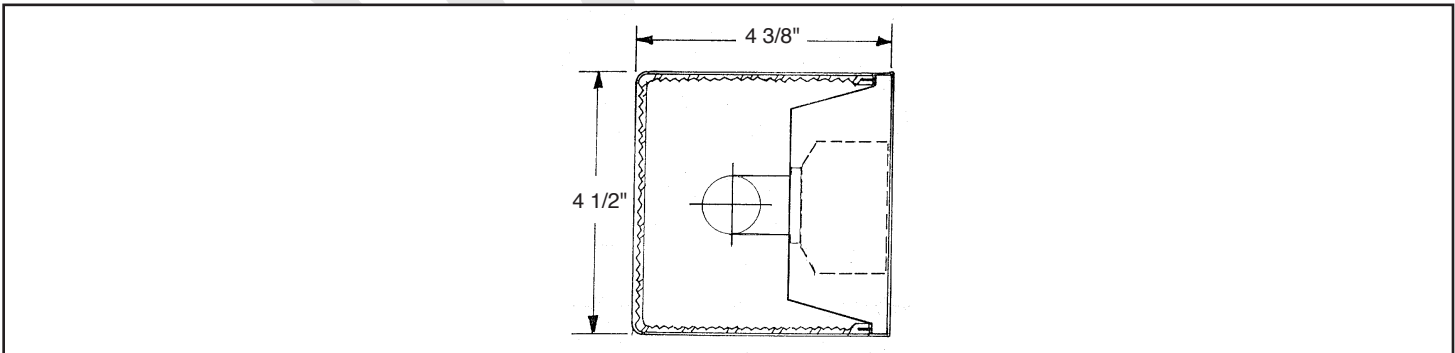
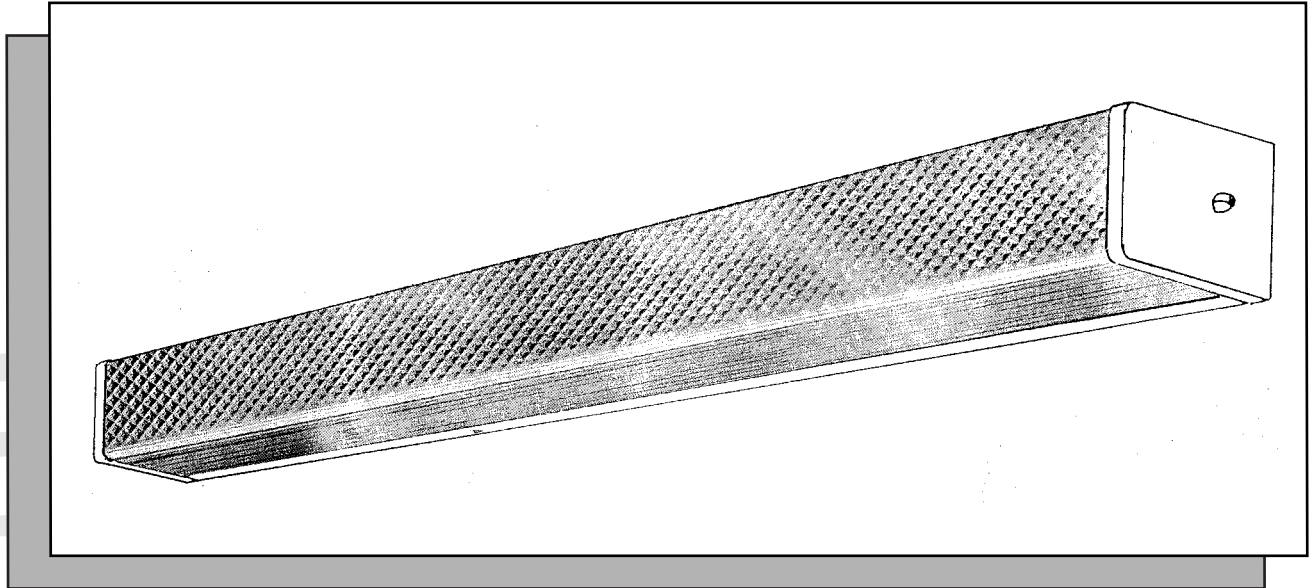
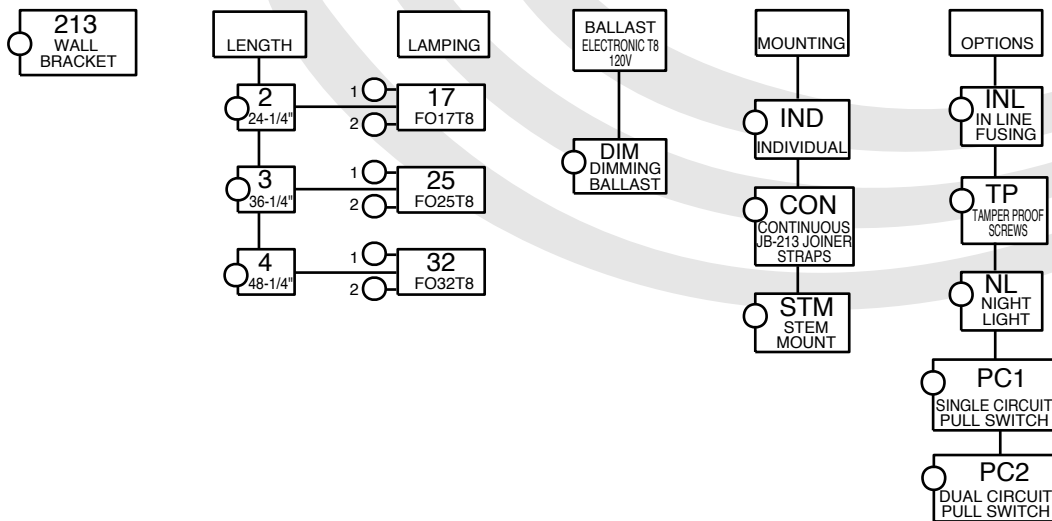


213 TASK LIGHTER SERIES

PRISMATIC ACRYLIC LENS



ORDERING DATA



Specifications

DESCRIPTION: Versatile wall bracket can be used over mirrors, sinks, corridors and lobbies. Available in individual or continuous runs.

HOUSING: Precision die formed 20 gauge CRS. Welded construction for rigidity. The socket plates and ballast cover are easily accessible for servicing.

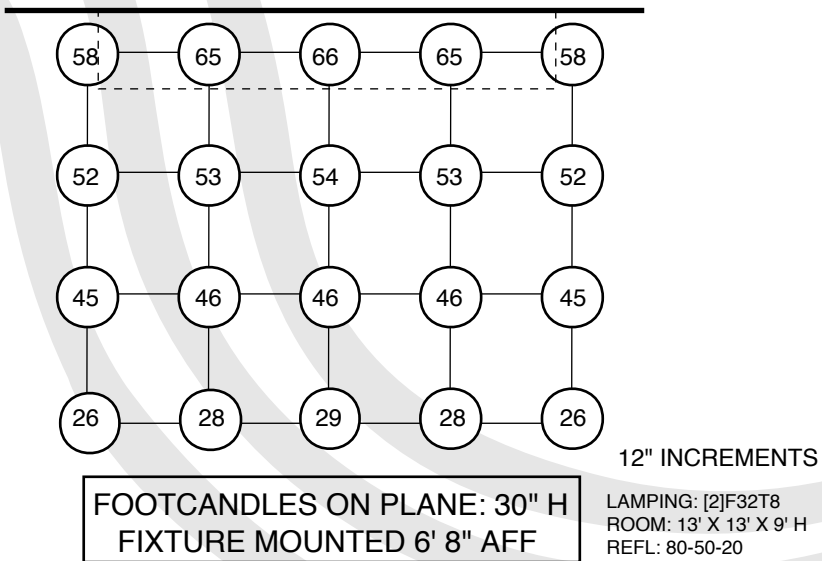
SHIELDING: Extruded UV stabilized clear high impact acrylic with linear prisms and K2 pattern.

BALLAST: Electronic T8, Class "P", CBM-ETL certified. Consult factory for magnetic T12 ballast

FINISH: All steel parts are treated with the HASCO "Perm-O-Last" multi-stage rust inhibitive process. Standard finish is a durable baked white enamel with a minimum reflectance of 90%. Consult factory for other colors and finishes. Fixture is post painted.

LABELING: All HASCO fixtures are U.L. approved and IBEW union made.

FOOTCANDLE DISTRIBUTION



Data subject to change
Please consult factory for
additional information.