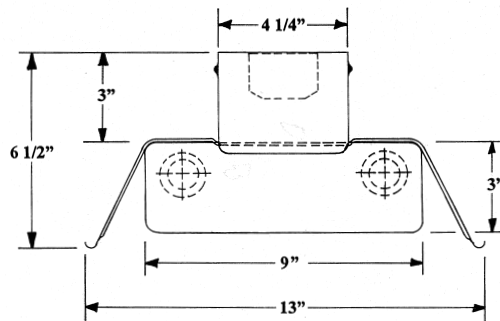
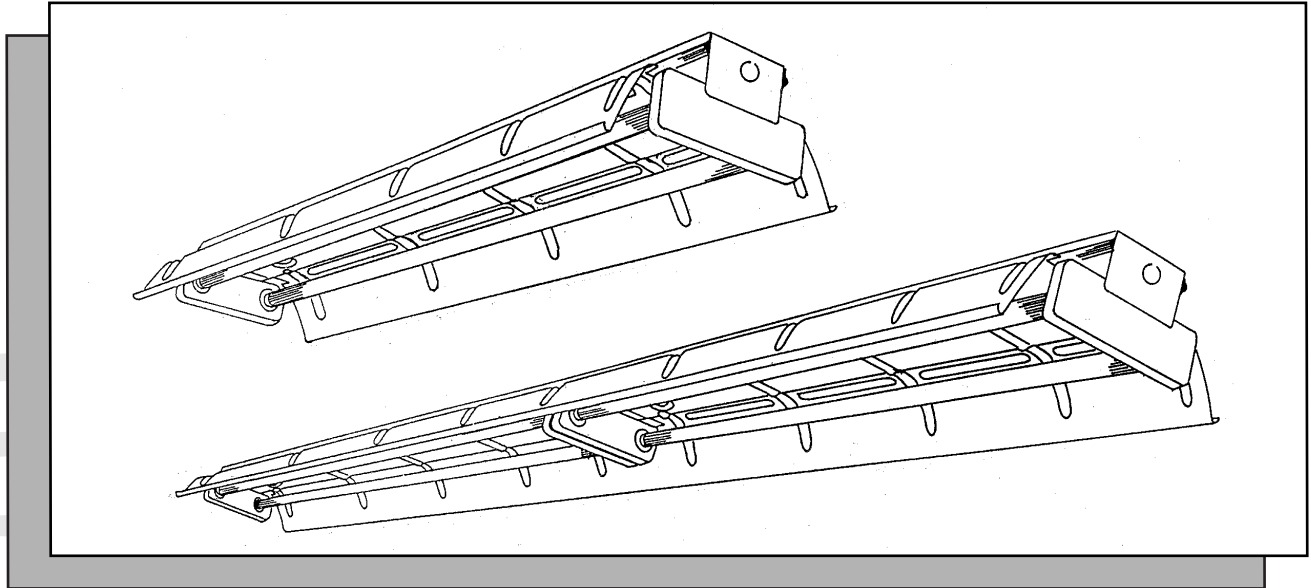
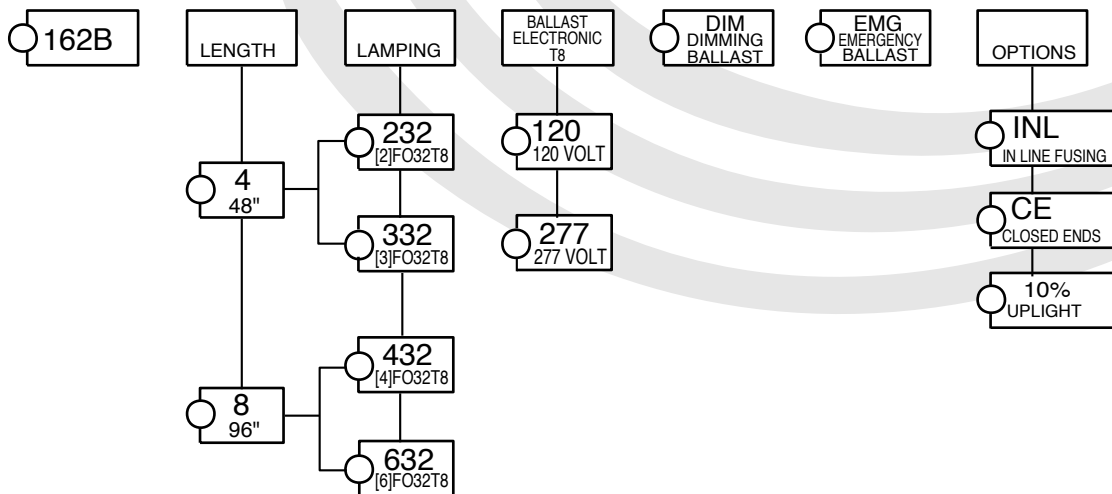


162 B TURRET INDUSTRIAL



ORDERING DATA



Specifications

DESCRIPTION: Premium general purpose industrial channel fixture. Typical applications include warehouses, garages, manufacturing facilities, and workshops.

HOUSING: Precision die formed 20 gauge cold rolled steel. Welded construction for rigidity. Entire side is grooved to accommodate sliding clamp hangers. The socket plates and ballast cover are easily accessible for servicing.

SHIELDING: Reflector has stiffener edges for maximum rigidity and secured to channel by turned captive latches. Finish is baked white enamel. Consult factory for other options not listed.

BALLAST: Electronic T8, Class "P", CBM-ETL certified. Consult factory for magnetic T12 ballast

FINISH: All steel parts are treated with the HASCO "Perm-O-Last" multi-stage rust inhibitive process. Standard finish is a durable baked white enamel with a minimum reflectance of 90%. Consult factory for other colors and finishes. Fixture is post painted.

LABELING: All HASCO fixtures are U.L. approved and IBEW union made.

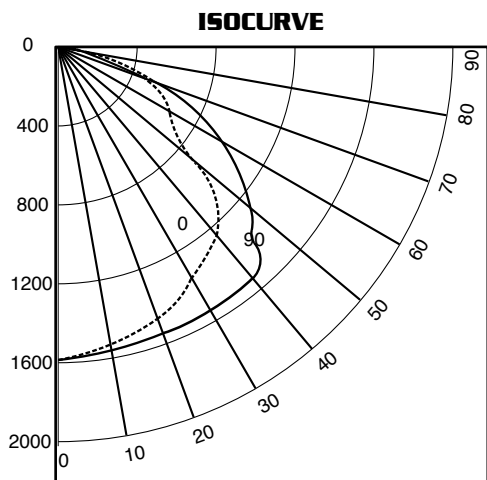
PHOTOMETRICS: 162B TURRET INDUSTRIAL COEFFICIENTS OF UTILIZATION, ZONAL CAVITY METHOD EFFECTIVE FLOOR CAVITY REFLECTANCE 0.20

CEILING WALL	80				50				30			
RCR	70	50	30	10	50	30	10		50	30	10	
0												
1	94	90	87	86	81	79	65		75	71	67	
2	86	79	74	71	72	72	68		66	61	57	
3	79	70	64	60	64	59	55		58	53	48	
4	72	62	55	50	57	51	47		51	45	40	
5	66	55	47	63	50	44	40		46	39	35	
6	61	49	42	38	45	39	34		41	35	30	
7	56	44	37	34	40	34	30		37	30	26	
8	51	40	32	28	36	30	26		33	26	22	
9	47	35	28	22	32	26	22		30	24	19	
10	44	32	25	18	30	24	20		25	21	16	

Luminaire: Formed Steel
Ballast: Valmont E232P1120G01
Lamping: (2) F032T8 @2900 lumens
Mounting: Surface/Pendant

HASCO File #108896/ITL
Prepared by: P. Marshall
Catalog number: 162B-232

Data subject to change
Please consult factory for
additional information.



CANDLE POWER SUMMARY

VERT ANGLE	0	45	90
0	1575	1575	1575
10	1540	1520	1422
20	1760	1412	1447
30	1578	1553	1541
40	1388	1401	1509
45	1097	1277	1395
50	915	1150	1287
60	674	920	1010
70	420	626	550
80	145	164	100
90	0	0	0

ZONAL LUMEN SUMMARY

ZONE	LUMENS	%LAMP	%FIXTURE
0-30	2001	21.9	24.5
0-40	2062	36.8	41.3
0-60	3819	61.3	75.5
0-90	4942	85.8	97.5
90-180	178	3.1	3.5
0-180	5126	88.9	100.0