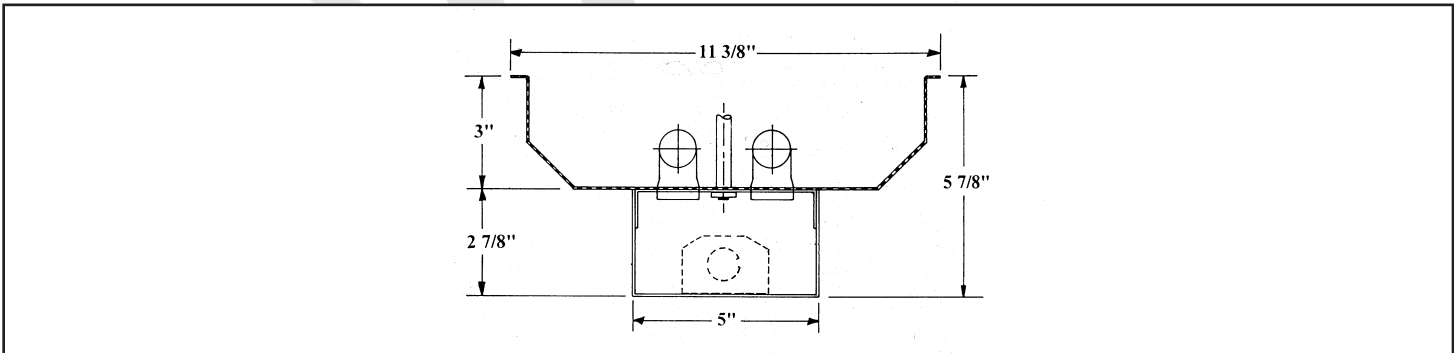
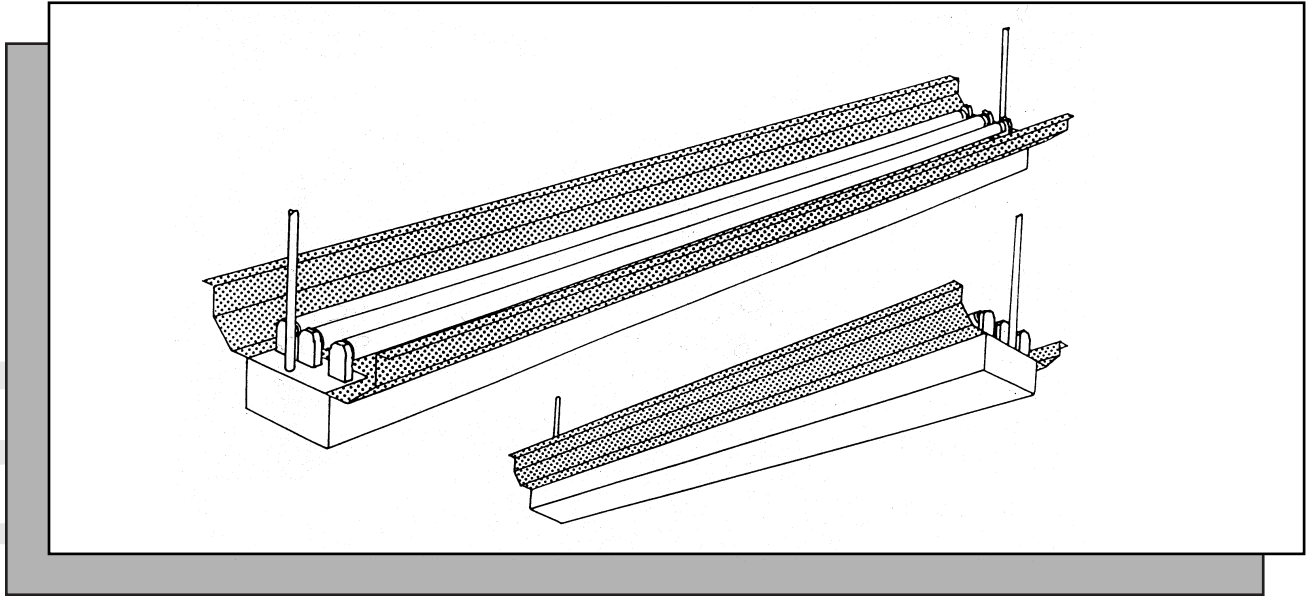
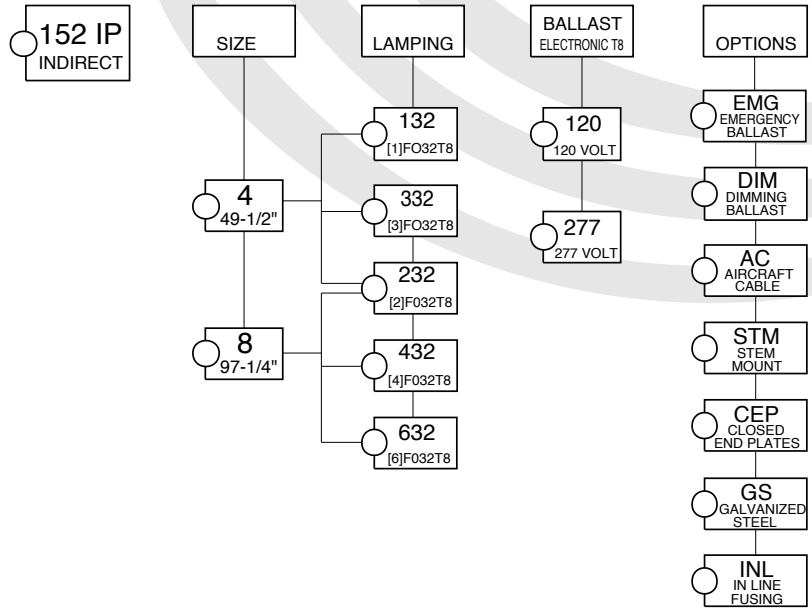


152 IP SERIES

INDIRECT PERFORATED INDUSTRIALS



ORDERING DATA



Specifications

DESCRIPTION: Pendant indirect industrial, high efficiency, high visual comfort, and high tech attractive appearance make it an economical choice for retail, office, and institutional applications.

HOUSING: Precision die formed 20 gauge cold rolled steel. Welded construction for rigidity. The socket plates and ballast cover are easily accessible for servicing.

SHIELDING: Perforated 20 gauge steel. Finished in baked with enamel. Consult factory for other options not listed.

BALLAST: Electronic T8, Class "P", CBM-ETL certified. Consult factory for magnetic T12 ballast

FINISH: All steel parts are treated with the HASCO "Perm-O-Last" multi-stage rust inhibitive process. Standard finish is a durable baked white enamel with a minimum reflectance of 90%. Consult factory for other colors and finishes. Fixture is post painted.

LABELING: All HASCO fixtures are U.L. approved and IBEW union made.

PHOTOMETRICS: 152IP

COEFFICIENTS OF UTILIZATION, ZONAL CAVITY METHOD
EFFECTIVE FLOOR CAVITY REFLECTANCE 0.20

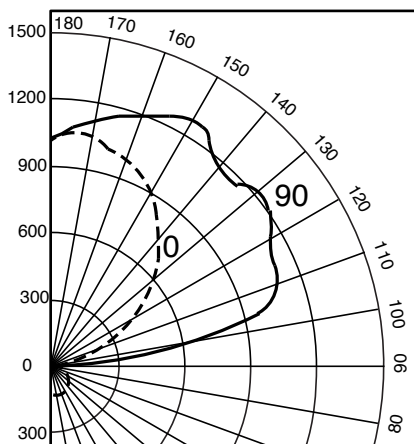
CEILING	80				50			30		
WALL	70	50	30	10	50	30	10	50	30	10
RCR										
0	82	82	82	82	49	49	49	30	30	30
1	74	71	68	65	43	41	40	26	26	25
2	67	62	57	53	38	35	33	23	22	21
3	61	53	48	41	35	30	28	20	19	19
4	56	48	42	37	29	26	20	19	16	15
5	51	42	36	31	23	20	17	16	13	13
6	46	38	31	27	21	17	15	14	12	11
7	43	34	27	20	21	17	15	13	11	9
8	40	30	24	20	19	16	13	12	10	8
9	37	27	22	18	17	14	11	11	9	7
10	34	25	19	15	15	12	10	9	7	6

Luminaire: Formed Steel
Ballast: Valmont E232P1120601
Lamping: [2] F032T8 @2900 lumens
Mounting: Pendant

HASCO File #101826/ITL
Prepared by: P. Marshall
Catalog number: 152IP-48-232-120-STM

Data subject to change
Please consult factory for
additional information.

ISOCURVE



CANDLE POWER SUMMARY

VERT ANGLE	0	45	90
0	97	97	97
10	93	97	96
20	84	96	92
30	71	86	82
40	54	72	70
45	45	56	64
50	36	43	58
60	23	29	46
70	12	18	35
80	3	11	23
90	1	15	20
100	72	178	668
110	264	646	902
120	456	895	1180
130	628	934	1205
135	714	1039	1187
140	801	1118	1210
150	887	1157	1232
160	996	1098	1260
170	1051	1064	1179
180	1066	1066	1066

ZONAL LUMEN SUMMARY

ZONE	LUMENS	%LAMP	%FIXTURE
0-30	75	1.3	1.5
0-40	121	2	2.4
0-60	203	3.4	4
0-90	263	4.4	5.2
90-120	1587	26.5	31.3
90-130	2423	40.4	47.7
90-150	3882	64.7	76.5
90-180	4812	80.2	94.8
0-180	5075	84.6	100