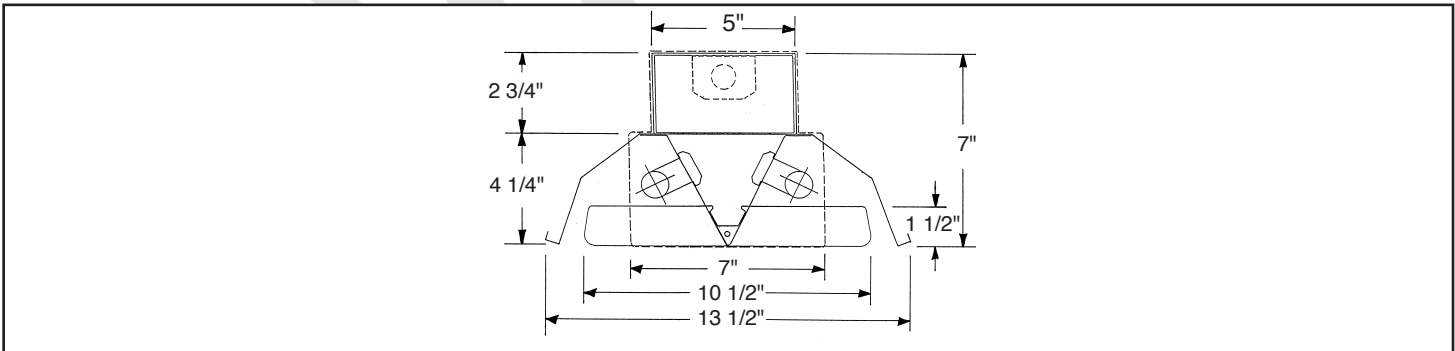
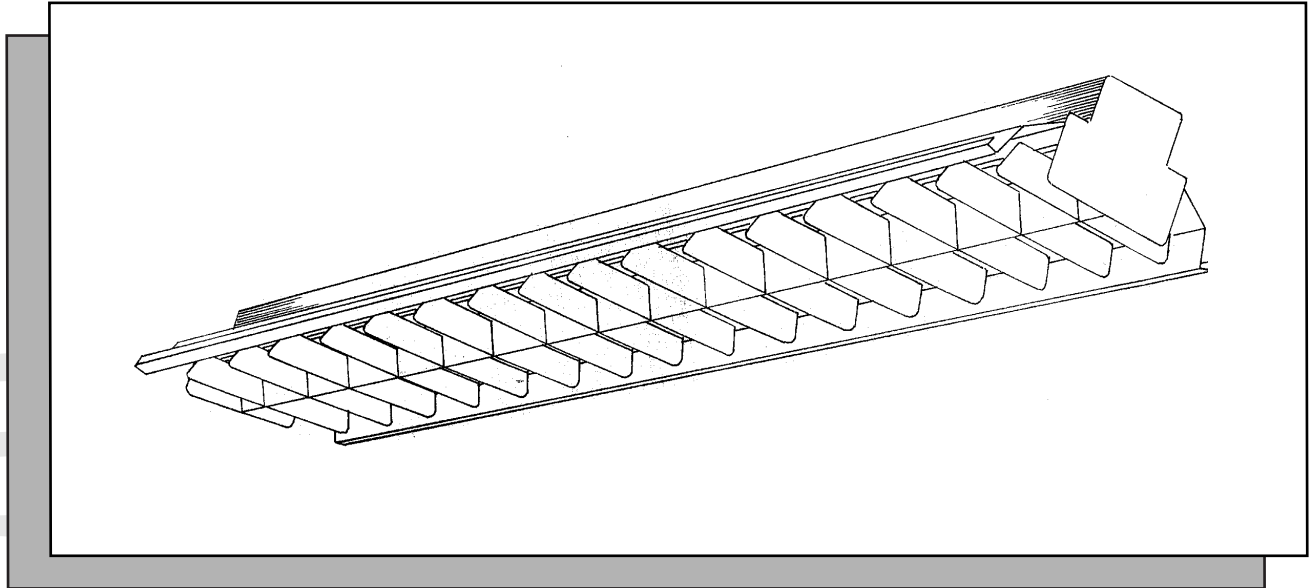
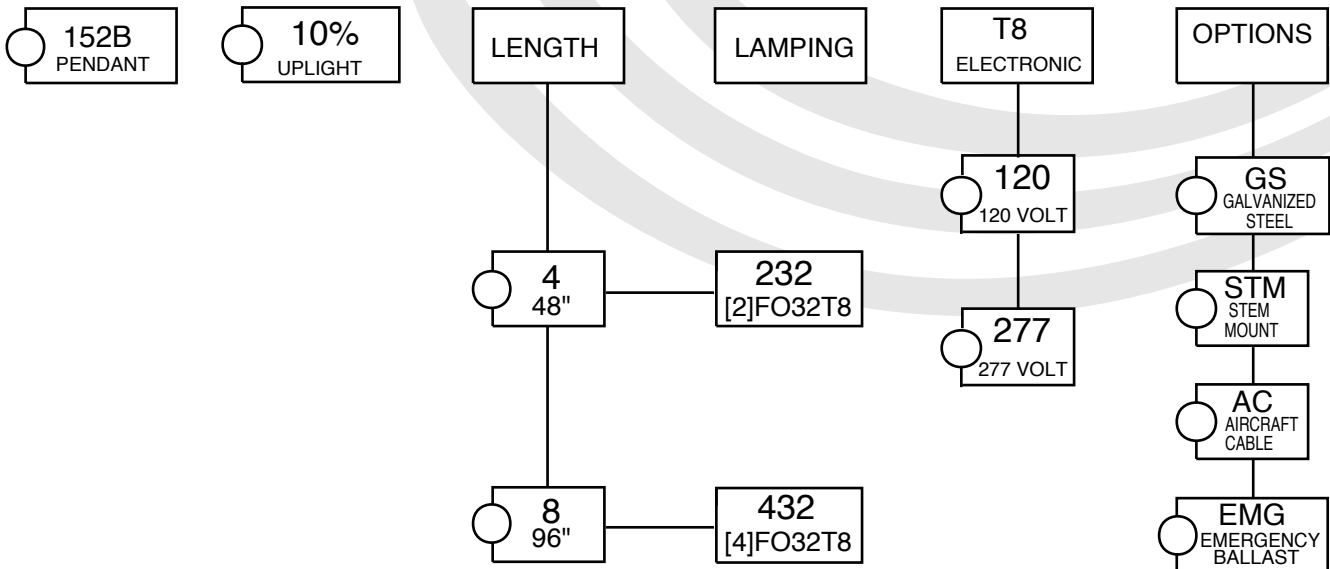


152 B SERIES

INDUSTRIAL Baffle LOUVER



ORDERING DATA



Specifications

DESCRIPTION: This high efficiency, high tech look, and durable fixture is ideal for commercial, educational, retail, and industrial applications. Reflector concentrates light which is ideal for task or general lighting. White louvers give longitudinal shielding.

HOUSING: Precision die formed 20 gauge cold rolled steel. Ample knock-outs are provided for surface, pendant, individual, or continuous row mounting.

BALLAST: Electronic T8, Class "P", CBM-ETL certified. Consult factory for magnetic T12 ballast

FINISH: All steel parts are treated with the HASCO "Perm-O-Last" multi-stage rust inhibitive process. Standard finish is a durable baked white enamel with a minimum reflectance of 90%. Consult factory for other colors and finishes. Fixture is post painted.

LABELING: All HASCO fixtures are U.L. approved and IBEW union made.

PHOTOMETRICS: 152B

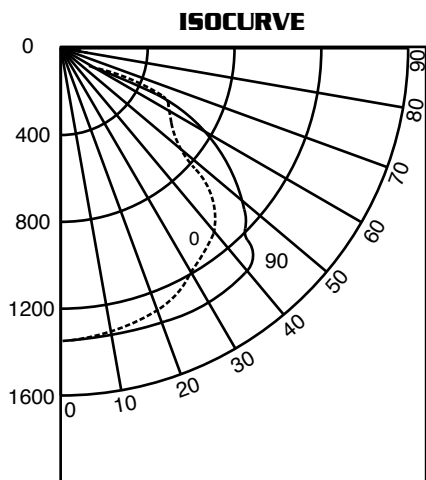
COEFFICIENTS OF UTILIZATION, ZONAL CAVITY METHOD
EFFECTIVE FLOOR CAVITY REFLECTANCE 0.20

CEILING WALL	80				50			30		
	70	50	30	10	50	30	10	50	30	10
RCR										
0										
1	79	75	71	68	69	66	63	65	63	61
2	70	63	57	51	58	53	49	65	61	57
3	62	53	45	39	48	43	38	56	51	47
4	55	44	36	30	44	41	36	48	43	38
5	48	36	28	21	43	36	31	41	35	30
6	49	30	21	15	37	30	25	36	29	25
7	47	34	26	20	32	25	20	31	25	20
8	42	40	32	26	28	21	16	27	20	16
9	38	35	28	22	24	17	12	23	16	12
10	35	32	25	19	21	14	9	20	14	9

Luminaire: Formed Steel
Ballast: Valmont E232P1120601
Lamping: (2) F032T8 @2900 lumens
Mounting: Surface/Pendant

HASCO File #108893/ITL
Prepared by: P. Marshall
Catalog number: 152B-232-120

Data subject to change
Please consult factory for
additional information.



CANDLE POWER SUMMARY

VERT ANGLE	0	45	90
0	1253	1253	1253
10	1262	1276	1282
20	1220	1272	1302
30	1132	1223	1296
40	1006	1017	1268
45	876	1057	1165
50	835	1050	1177
60	573	782	821
70	346	528	445
80	119	149	83
90	4	15	11

ZONAL LUMEN SUMMARY

ZONE	LUMENS	%LAMP	%FIXTURE
0-30	1092	17.9	20.5
0-40	1962	31.8	35.3
0-60	3349	57.3	67.5
0-90	4392	78.8	87.5
90-180	157	3.1	3.5
0-180	4496	78.9	100.0