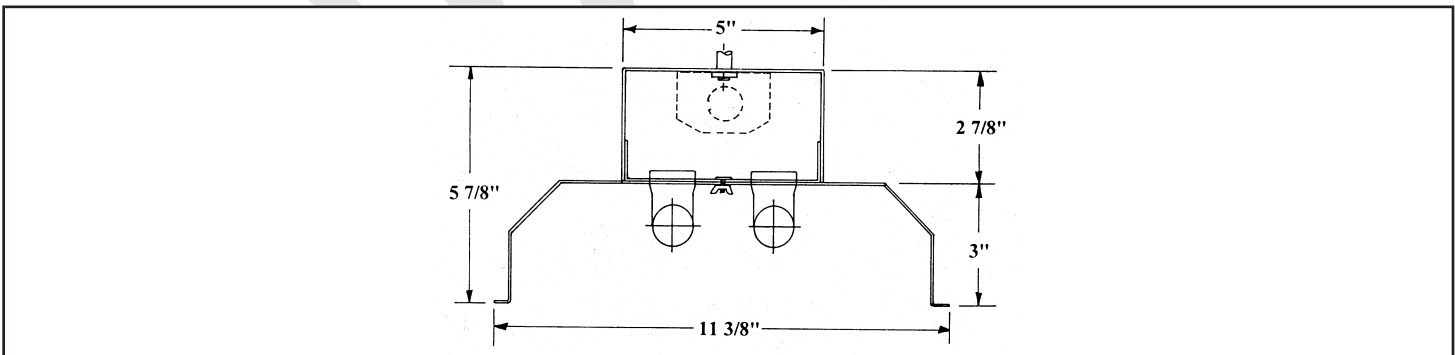
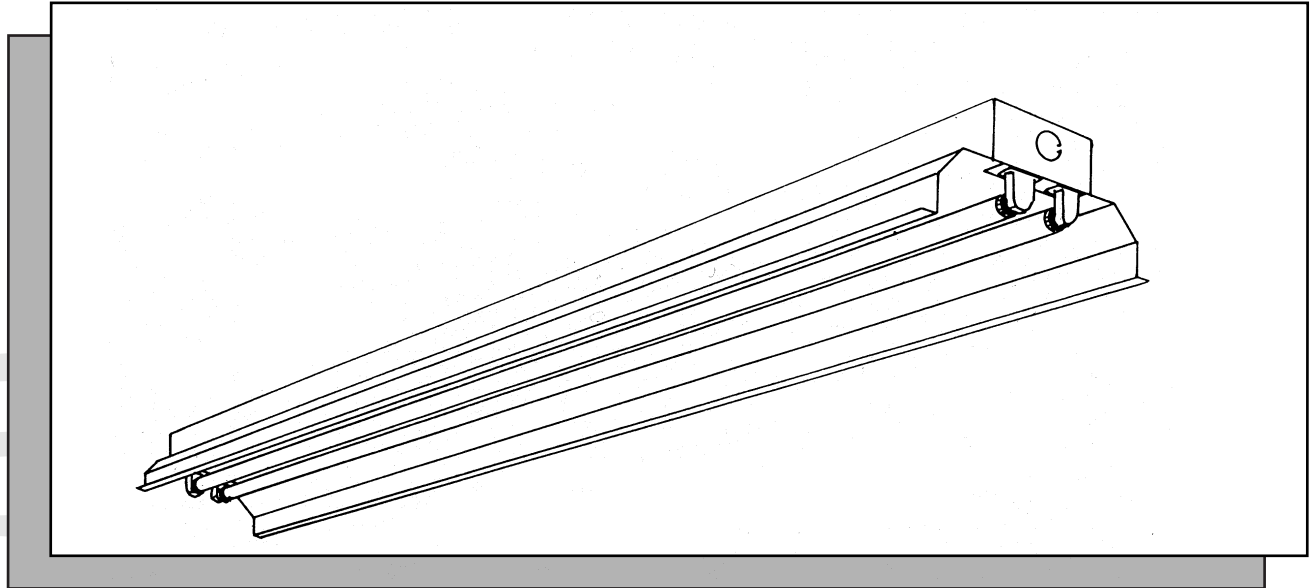
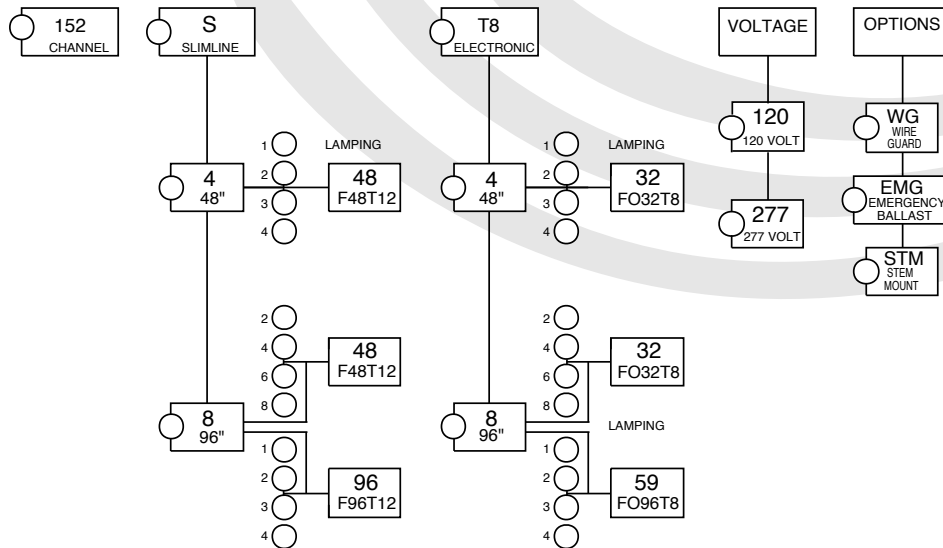


152 SERIES

INDUSTRIALS Slimline & FLUORESCENT



ORDERING DATA



Specifications

DESCRIPTION: This high efficiency and durable fixture is commonly used for commercial and industrial applications. Reflector concentrates light which is ideal for task or general lighting.

HOUSING: Precision die formed 20 gauge cold rolled steel. Ample knock-outs are provided for surface, pendant, individual, or continuous row mounting.

BALLAST: Electronic T8, Class "P", CBM-ETL certified. 265 ma. slimline ballast available. Consult factory for magnetic T12 ballast

FINISH: All steel parts are treated with the HASCO "Perm-O-Last" multi-stage rust inhibitive process. Standard finish is a durable baked white enamel with a minimum reflectance of 90%. Consult factory for other colors and finishes. Fixture is post painted.

LABELING: All HASCO fixtures are U.L. approved and IBEW union made.

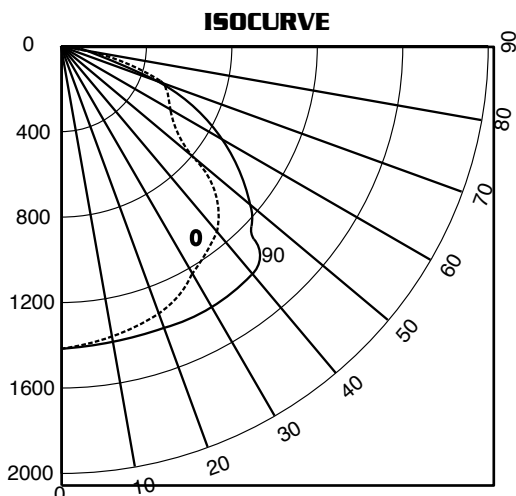
PHOTOMETRICS: 152 SERIES Industrials Slimline & FLUORESCENT COEFFICIENTS OF UTILIZATION, ZONAL CAVITY METHOD EFFECTIVE FLOOR CAVITY REFLECTANCE 0.20

CEILING WALL	80				50				30				
RCR	70	50	30	10	50	30	10	50	30	10	50	30	10
0													
1	99	95	91	88	89	86	83	85	83	81			
2	90	83	77	71	78	73	69	75	71	67			
3	82	73	65	59	68	63	58	66	61	57			
4	75	64	56	50	60	54	49	58	53	48			
5	68	56	48	41	53	46	41	51	45	40			
6	62	50	41	35	47	40	35	46	39	35			
7	57	44	36	30	42	35	30	41	35	30			
8	52	40	32	26	38	31	26	37	30	26			
9	48	35	28	22	34	27	22	33	26	22			
10	45	32	25	19	31	24	19	30	24	19			

Luminaire: Formed Steel
Ballast: Valmont E232P1120601
Lamping: [2] F032T8 @2900 lumens
Mounting: SURFACE/PENDANT

HASCO File #108895/ITL
Prepared by: P. Marshall
Catalog number: 152-232

Data subject to change
Please consult factory for
additional information.



CANDLE POWER SUMMARY

VERT ANGLE	0	45	90
0	1425	1425	1425
10	1401	1416	1422
20	1360	1412	1447
30	1258	1353	1441
40	1118	1287	1409
45	975	1177	1295
50	835	1050	1177
60	613	869	913
70	386	578	495
80	132	164	93
90	4	17	12

ZONAL LUMEN SUMMARY

ZONE	LUMENS	%LAMP	%FIXTURE
0-30	1192	20.9	23.5
0-40	2042	35.8	40.3
0-60	3779	66.3	74.5
0-90	4892	85.8	96.5
90-180	177	3.1	3.5
0-180	5096	88.9	100.0