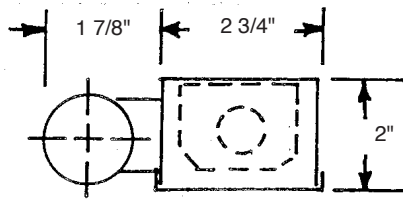
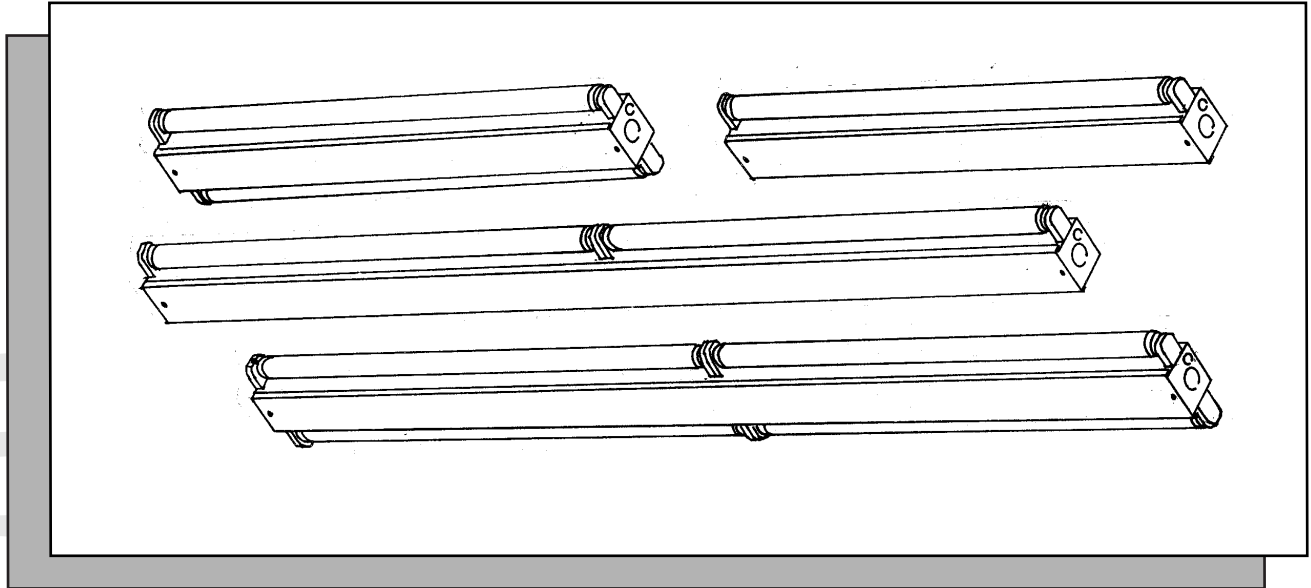
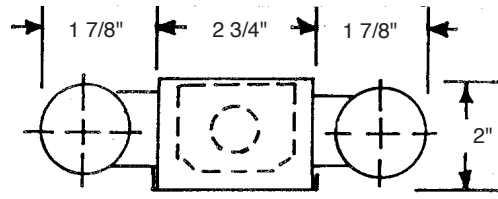


14 SERIES Side-Socket Channels

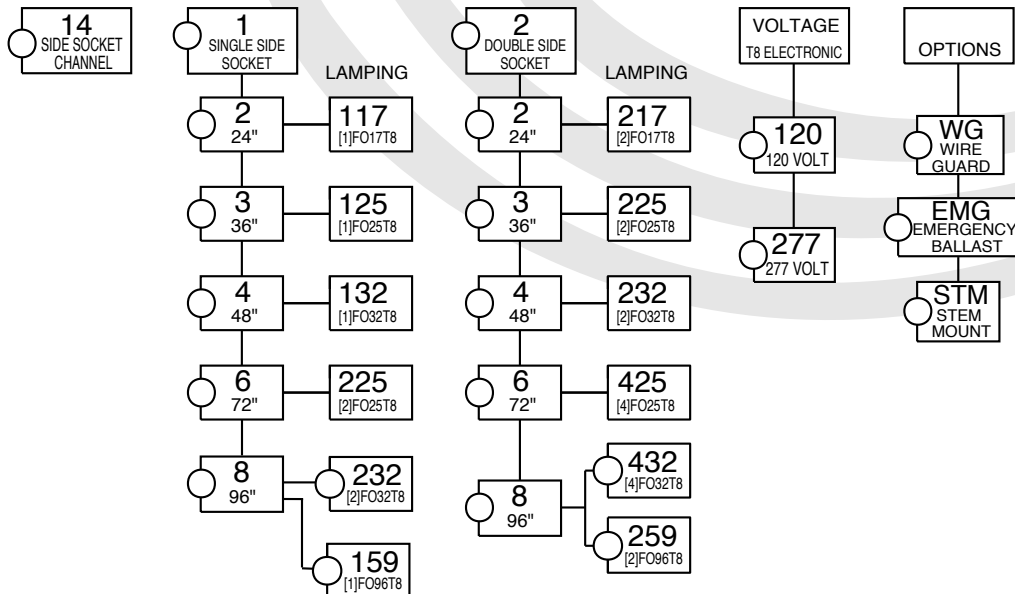


SINGLE SIDE-SOCKET



DOUBLE SIDE-SOCKET

ORDERING DATA



Specifications

DESCRIPTION: Durable, versatile side channel strip offers high efficiency for commercial, industrial, and institutional applications

HOUSING: Precision die formed 20 gauge cold rolled steel. Welded construction for rigidity. The socket plates and ballast cover are easily accessible for servicing.

MOUNTING: Surface, pendant, single or continuous row mounting. Adequate knock outs provided for all feeds.

BALLAST: Electronic T8, Class "P", CBM-ETL certified. Consult factory for magnetic T12 ballast

FINISH: All steel parts are treated with the HASCO "Perm-O-Last" multi-stage rust inhibitive process. Standard finish is a durable baked white enamel with a minimum reflectance of 90%. Consult factory for other colors and finishes. Fixture is post painted.

LABELING: All HASCO fixtures are U.L. approved and IBEW union made.

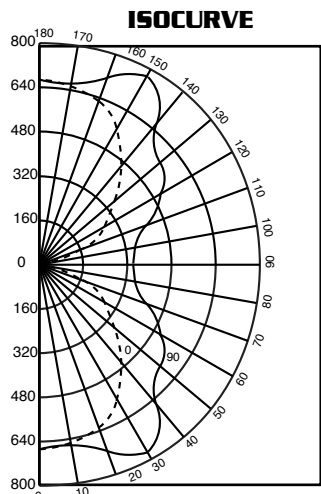
PHOTOMETRICS: 14 SERIES Side-Socket Channels COEFFICIENTS OF UTILIZATION, ZONAL CAVITY METHOD EFFECTIVE FLOOR CAVITY REFLECTANCE 0.20

CEILING WALL	80				50			30		
RCR	70	50	30	10	50	30	10	50	30	10
0	108	108	108	108	94	94	94	85	85	85
1	95	88	84	79	78	74	71	71	68	66
2	84	80	70	66	67	62	58	61	57	53
3	77	66	58	51	58	53	46	55	52	49
4	71	59	50	44	52	45	40	49	45	41
5	63	51	42	35	44	37	32	37	31	28
6	59	46	37	31	40	33	28	34	29	25
7	53	40	33	25	35	28	23	32	25	21
8	50	37	28	23	32	26	20	29	23	21
9	45	32	24	18	28	19	15	26	20	19
10	43	30	22	17	28	19	12	24	19	15

Luminaire: Formed Steel
Ballast: Valmont E232P1120G01
Lamping: [2] F032T8 @2900 lumens
Mounting: Surface

HASCO File # 172398/ITL
Prepared by: P. Marshall
Catalog number: 14-2-4-232-120

Data subject to change
Please consult factory for
additional information.



CANDLE POWER SUMMARY

VERT ANGLE	0	45	90
0	702	702	702
10	691	704	715
20	654	712	752
30	585	701	775
40	501	672	701
45	444	603	647
50	402	562	598
60	281	441	499
70	161	329	436
80	62	281	425
90	0	271	421
100	32	268	425
110	161	282	436
120	281	346	499
130	402	591	598
135	444	625	647
140	501	671	701
150	585	689	775
160	654	695	752
170	691	688	715
180	701	688	702

ZONAL LUMEN SUMMARY

ZONE	LUMENS	%LAMP	%FIXTURE
0-30	591	10.9	9.3
0-40	1041	18.1	16.6
0-60	2716	33.2	32.2
0-90	2892	48.7	48.7