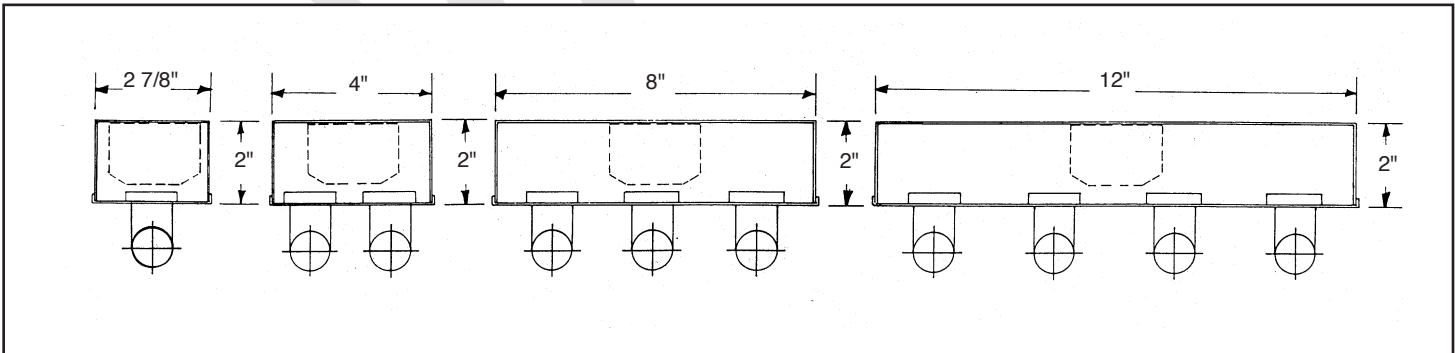
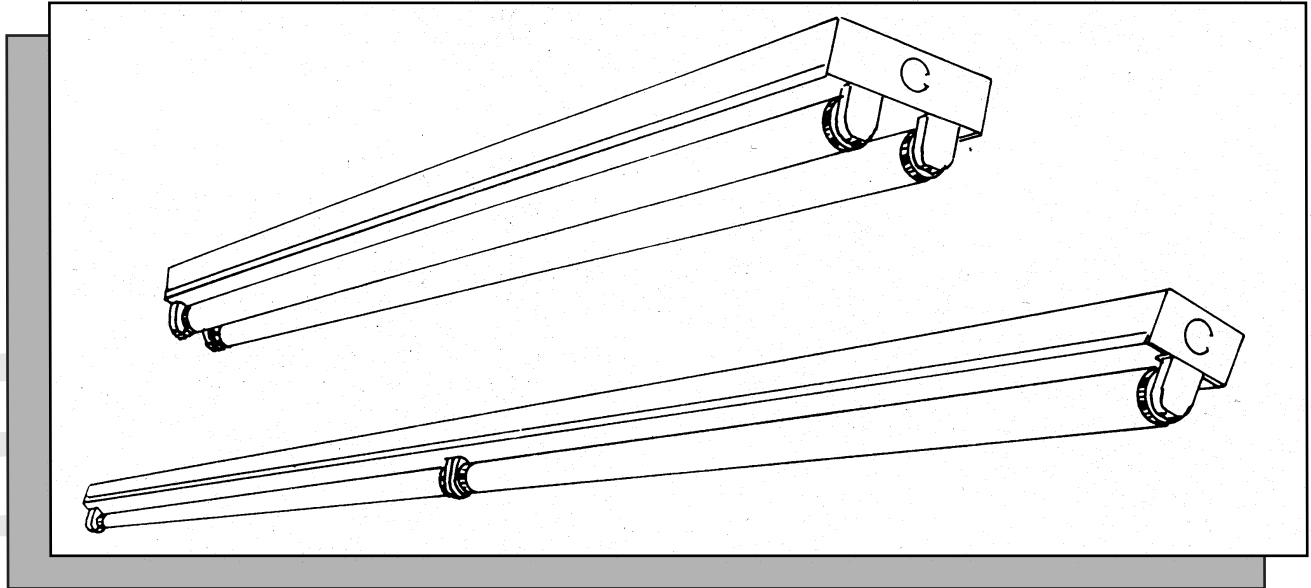
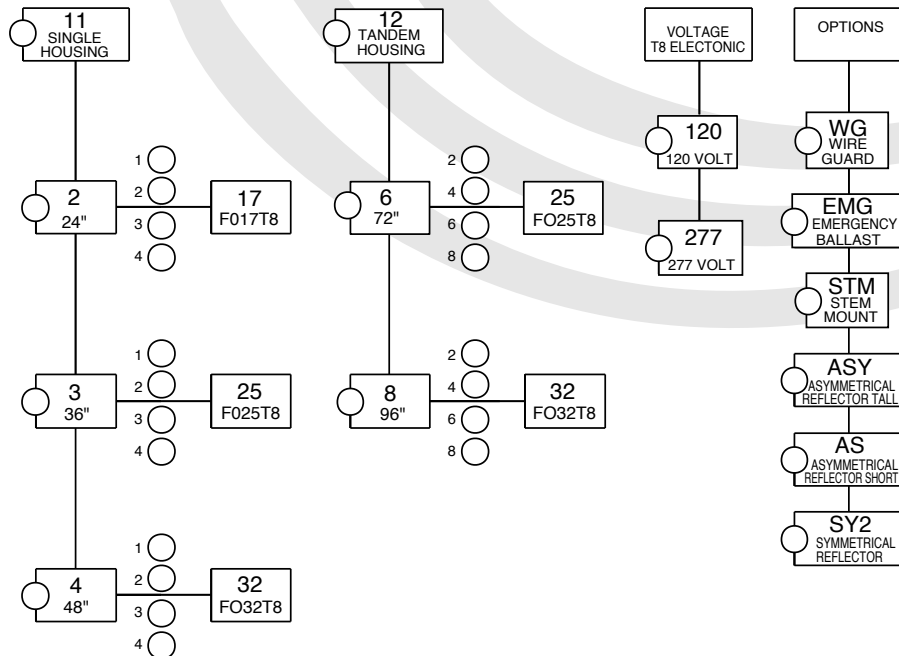


11/12 SERIES CHANNELS

SINGLE / TANDEM



ORDERING DATA



Specifications

DESCRIPTION: Durable multi-purpose channel light for industrial and commercial uses. Fixture commonly used in architectural cove or valance applications.

HOUSING: Precision die formed 20 gauge cold rolled steel. Welded construction for rigidity. The socket plates and ballast cover are easily accessible for servicing.

MOUNTING: Surface, pendant, single or continuous row mounting. Adequate knock outs provided for all feeds.

BALLAST: Electronic T8, Class "P", CBM-ETL certified. Consult factory for magnetic T12 ballast

FINISH: All steel parts are treated with the HASCO "Perm-O-Last" multi-stage rust inhibitive process. Standard finish is a durable baked white enamel with a minimum reflectance of 90%. Consult factory for other colors and finishes. Fixture is post painted.

LABELING: All HASCO fixtures are U.L. approved and IBEW union made.

PHOTOMETRICS: 11/12 SERIES CHANNELS COEFFICIENTS OF UTILIZATION, ZONAL CAVITY METHOD EFFECTIVE FLOOR CAVITY REFLECTANCE 0.20

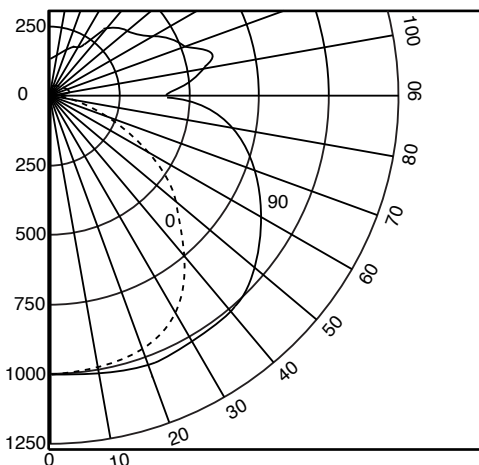
CEILING WALL	80				50			30			
	70	50	30	10	50	30	10	50	30	10	
RCR											
0	105	105	105	105	92	92	92	84	84	84	
1	95	88	84	79	78	74	71	71	68	66	
2	83	79	69	65	66	61	57	60	56	52	
3	77	66	58	51	58	53	46	55	52	49	
4	70	58	49	43	51	44	39	48	44	40	
5	63	51	42	35	44	37	32	37	31	28	
6	58	45	36	30	39	32	27	33	28	24	
7	53	40	33	25	35	28	23	32	25	21	
8	49	36	27	22	31	25	19	28	22	20	
9	45	32	24	18	28	19	15	26	20	19	
10	42	29	21	16	27	18	14	23	18	14	

**Data subject to change
Please consult factory for
additional information.**

**HASCO File #191498/ITL
Prepared by: P. Marshall
Catalog number:11-4-232-120**

**Luminaire: formed steel
Ballast: Valmont E232P1120601
Lamping: [2] F032T8 @2900 lumens
Mounting: Surface**

ISO-CURVE



CANDLE POWER SUMMARY

VERT ANGLE	0	45	90
0	1025	1025	1025
10	1021	1026	1025
20	984	1015	1038
30	914	991	1055
40	805	955	1056
45	672	894	1023
50	513	795	964
60	341	694	920
70	165	585	725
80	29	331	455
90	1	241	365
100	50	201	595
110	45	164	538
120	39	141	385
130	36	125	356
135	28	118	331
140	27	97	301
150	26	76	207
160	25	69	152
170	25	65	116
180	23	59	109

ZONAL LUMEN SUMMARY

ZONE	LUMENS	%LAMP	%FIXTURE
0-30	844	13.9	16.5
0-40	1435	25.1	26.4
0-60	2711	49.1	51.6
0-90	4340	76.4	80.7