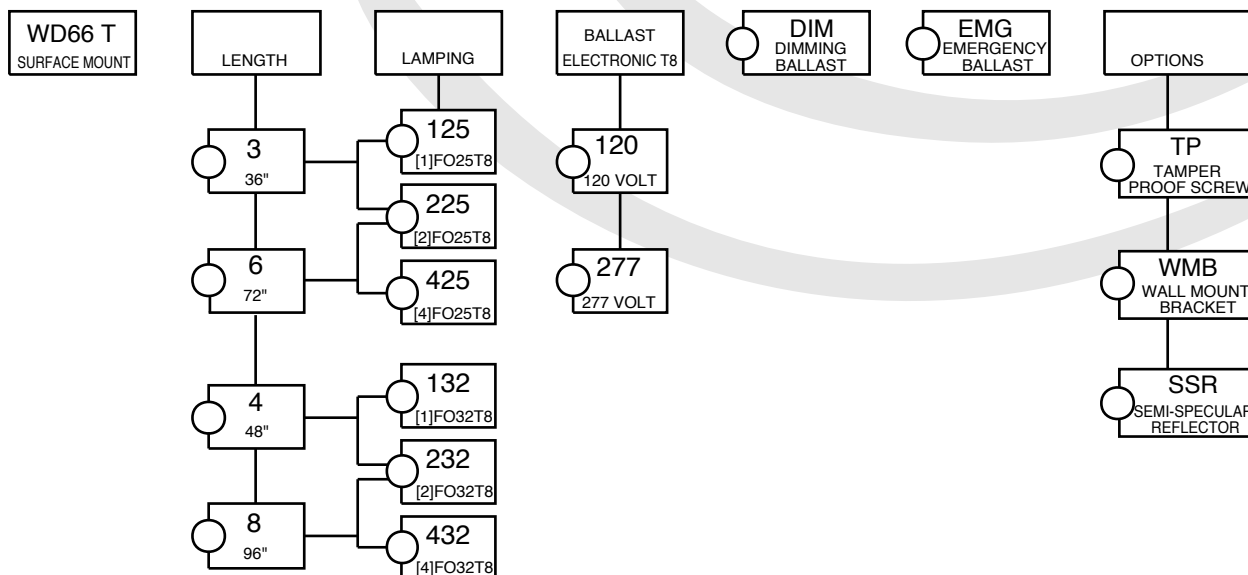


ORDERING DATA



Specifications

DESCRIPTION: High efficiency, high visual comfort, and asymmetric distribution make it ideal for wall washing, corridor, and industrial applications.

HOUSING: Precision die formed 20 gauge cold rolled steel. Welded construction for rigidity. The socket plates and ballast cover are easily accessible for servicing.

SHIELDING: K-12 acrylic prismatic lens. Nominal thickness .125". Consult factory for options not listed.

BALLAST: Electronic T8, Class "P", CBM-ETL certified. Consult factory for magnetic T12 ballast

FINISH: All steel parts are treated with the HASCO "Perm-O-Last" multi-stage rust inhibitive process. Standard finish is a durable baked white enamel with a minimum reflectance of 90%. Consult factory for other colors and finishes. Fixture is post painted.

LABELING: All HASCO fixtures are U.L. approved and IBEW union made.

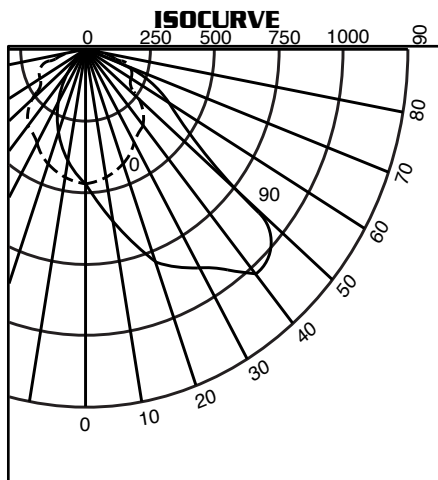
PHOTOMETRICS: WD66 T SERIES SURFACE / WALL COEFFICIENTS OF UTILIZATION, ZONAL CAVITY METHOD EFFECTIVE FLOOR CAVITY REFLECTANCE 0.20

CEILING	80				70			50		
WALL	70	50	30	10	70	50	30	50	30	10
RCR										
0	56	56	56	56	54	54	54	51	51	51
1	50	47	44	42	48	45	43	42	40	39
2	44	40	36	32	43	38	35	36	33	30
3	40	34	30	26	38	33	29	31	28	25
4	36	30	25	22	35	29	25	27	24	21
5	33	27	22	18	32	26	21	24	20	18
6	31	24	19	16	29	23	19	22	18	15
7	28	21	17	14	27	21	17	20	16	13
8	26	19	15	12	25	19	15	18	14	12
9	25	18	14	11	24	17	13	16	13	10
10	23	16	12	10	22	16	12	15	12	9

Luminaire: Formed Steel
Ballast: Valmont E232P1120601
Lamping: (2) F032T8 @2900 lumens
Mounting: SURFACE

HASCO File #-101894
Prepared by: P. Marshall
Catalog number: WD66T-4-232

Data subject to change
Please consult factory for
additional information.



CANDLE POWER SUMMARY

VERT ANGLE	0	45	90
0	438	438	438
10	383	432	621
20	378	406	762
30	331	372	882
40	311	328	1035
45	280	299	1008
50	247	260	869
60	189	105	305
70	94	46	145
80	27	18	54
90	1	0	1

ZONAL LUMEN SUMMARY

ZONE	LUMENS	%LAMP	%FIXTURE
180-90	0	0	0
90-0	1613	55.68	100
180-0	1613	55.68	100