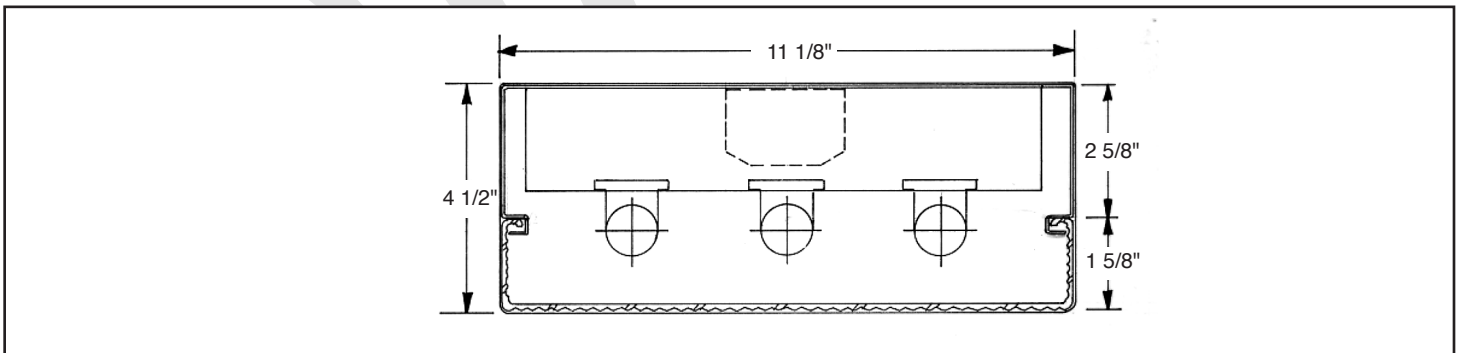
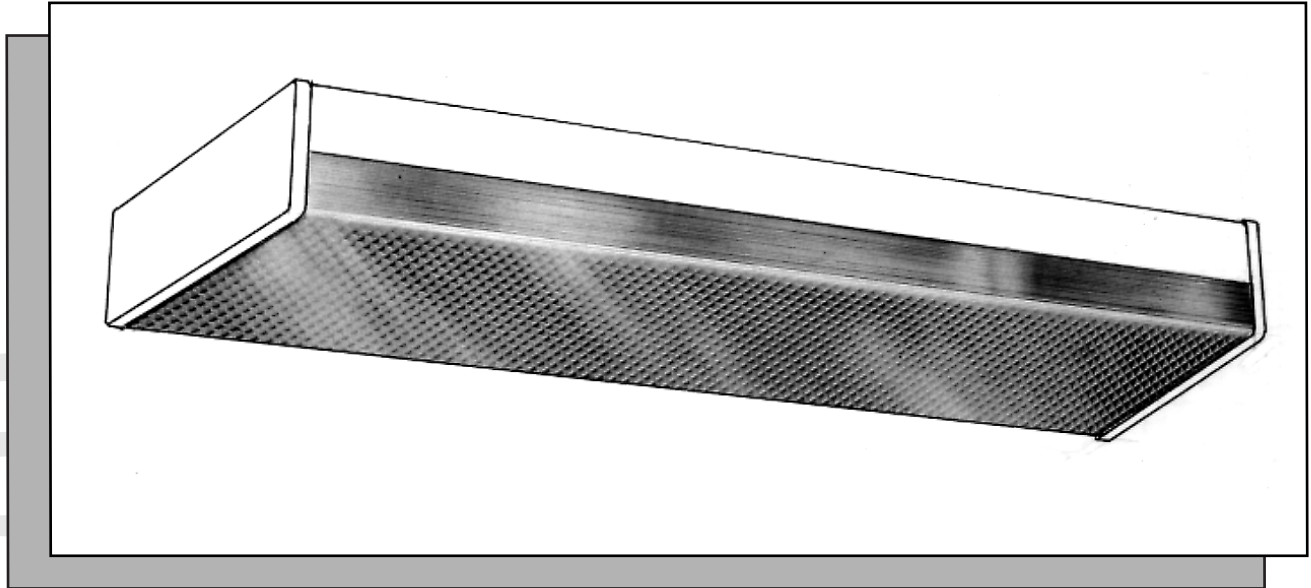
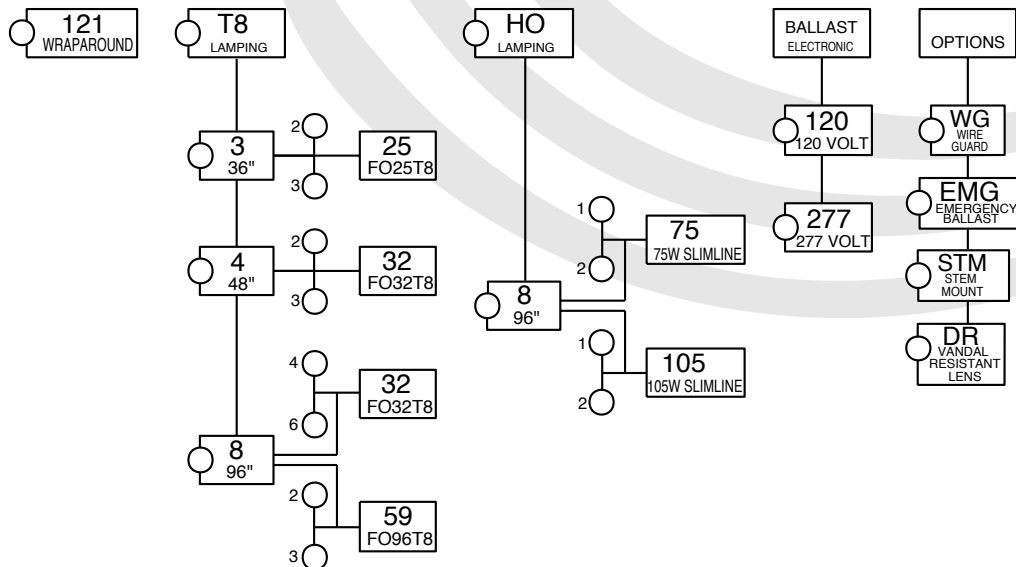


121 SERIES SURFACE WRAPAROUND CLEAR ACRYLIC PRISMATIC LENS



ORDERING DATA



Specifications

DESCRIPTION: High efficiency, high visual comfort, and attractive appearance make it ideal for commercial, retail, educational, and institutional applications. Typical use is for drywall ceiling or shallow plenum space where recessed fixtures cannot be used.

HOUSING: Precision die formed 20 gauge cold rolled steel. Welded construction for rigidity. The socket plates and ballast cover are easily accessible for servicing. Can be mounted individually or in continuous rows.

SHIELDING: K12 acrylic prismatic lens. Linear prisms on side walls. Snaps in easily from either side for relamping and cleaning. Consult factory for options not listed.

BALLAST: Electronic T8, Class "P", CBM-ETL certified. Consult factory for magnetic T12 ballast

FINISH: All steel parts are treated with the HASCO "Perm-O-Last" multi-stage rust inhibitive process. Standard finish is a durable baked white enamel with a minimum reflectance of 90%. Consult factory for other colors and finishes. Fixture is post painted.

LABELING: All HASCO fixtures are U.L. approved and IBEW union made.

PHOTOMETRICS: 121 Series

COEFFICIENTS OF UTILIZATION, ZONAL CAVITY METHOD
EFFECTIVE FLOOR CAVITY REFLECTANCE 0.20

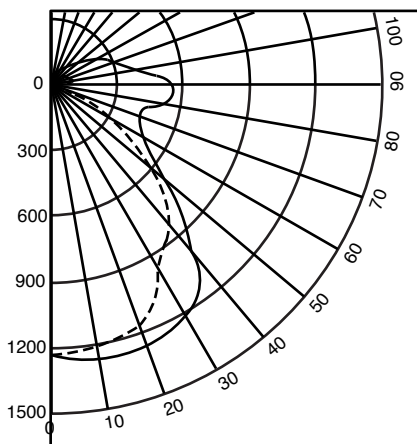
CEILING WALL RCR	80				50				30			
	70	50	30	10	50	30	10	50	30	10		
0	98	98	98	98	81	81	81	67	67	67		
1	85	81	76	74	71	66	64	59	57	56		
2	71	64	61	55	62	57	54	52	49	47		
3	74	65	58	53	57	51	47	47	43	41		
4	68	57	49	44	48	42	40	37	33	29		
5	58	47	41	34	44	39	31	34	30	29		
6	57	46	38	33	39	33	29	34	30	26		
7	53	41	33	25	36	31	26	31	26	25		
8	46	33	26	22	32	26	21	27	25	19		
9	44	33	26	21	28	23	18	25	23	19		
10	36	25	19	19	26	20	18	22	18	16		

Luminaire: Formed Steel
Ballast: Valmont E232P1120601
Lamping: [2] F032T8 @2900 lumens
Mounting: Surface

HASCO File #70698/ITL
Prepared by: P. Marshall
Catalog number: 121-4-232-120

Data subject to change
Please consult factory for additional information.

ISO CURVE



CANDLE POWER SUMMARY

VERT ANGLE	0	45	90
0	1232	1232	1232
10	1213	1252	1271
20	1149	1255	1301
30	1042	1178	1221
40	869	1004	1006
45	644	693	849
50	584	453	671
60	297	325	504
70	159	248	452
80	79	247	508
90	2	247	571
100	3	379	444
110	8	252	408
120	11	226	238
130	11	171	161
135	10	106	121
140	10	56	103
150	12	29	79
160	13	14	45
170	11	108	16
180	8	8	8

ZONAL LUMEN SUMMARY

ZONE	LUMENS	%LAMP	%FIXTURE
0-30	931	17.8	20.8
0-40	1204	25.7	26.1
0-60	2715	45.3	51.5
0-90	3701	61.6	71.2