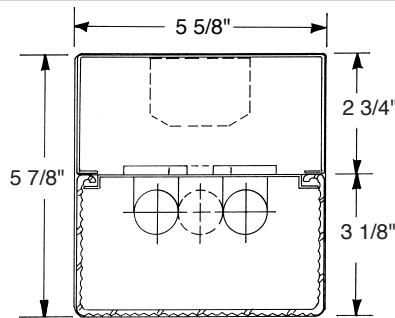
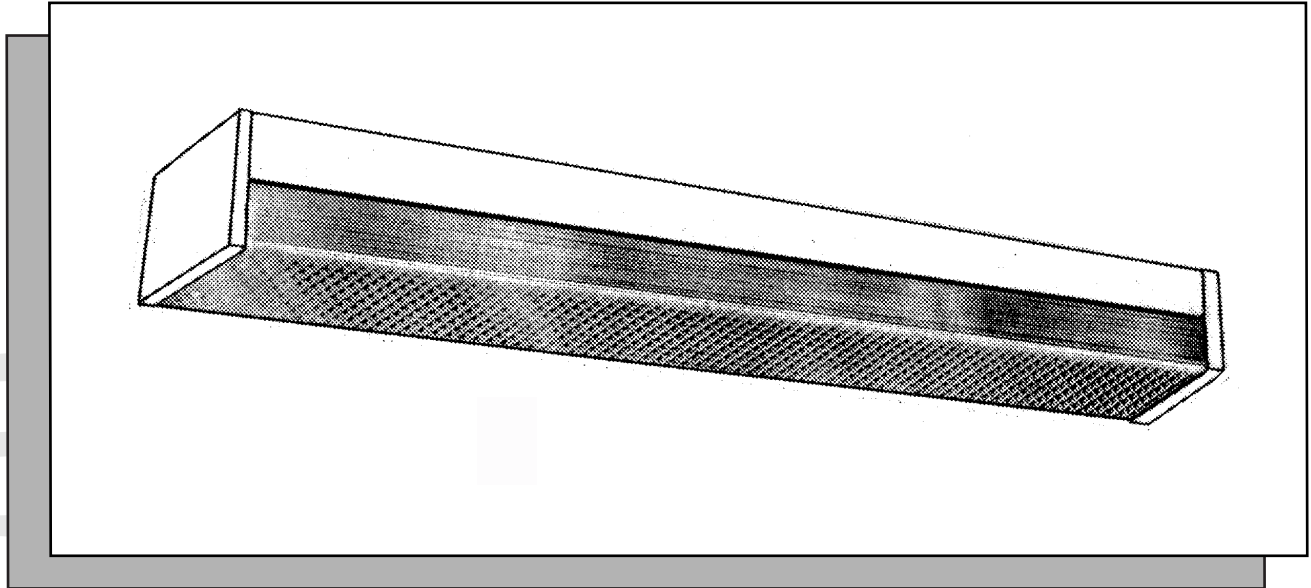
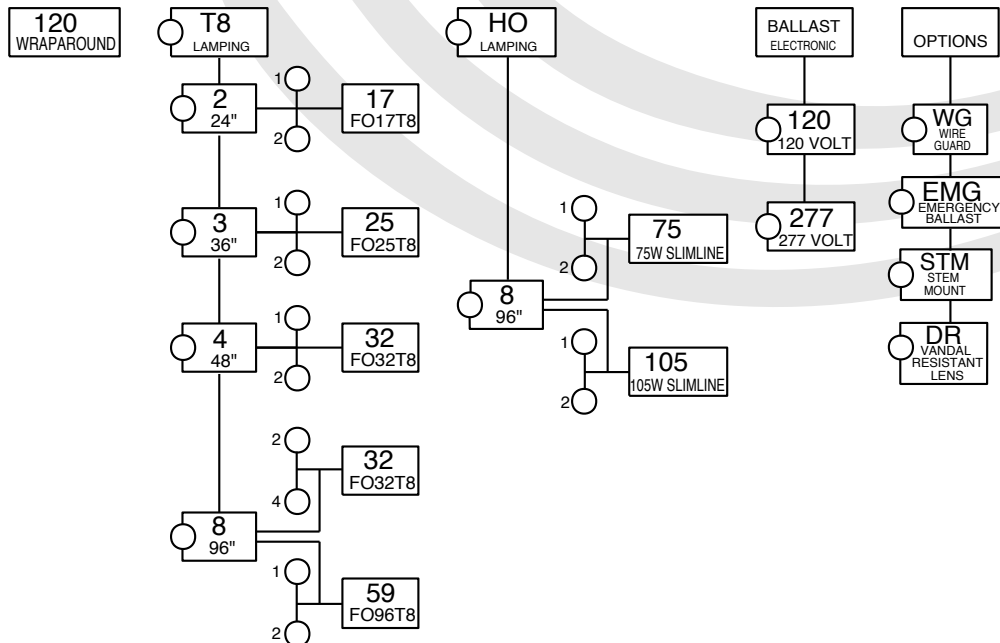


120 NARROWLIGHTER SERIES

CLEAR ACRYLIC PRISMATIC LENS



ORDERING DATA



Specifications

DESCRIPTION: High efficiency, high visual comfort, and attractive appearance make it the choice for commercial, retail, educational, and institutional applications. Narrow cross section is ideal for corridor or rest room lighting. Typical use is for drywall ceiling or shallow plenum space where recessed fixtures cannot be used.

HOUSING: Precision die formed 20 gauge cold rolled steel. Welded construction for rigidity. The socket plates and ballast cover are easily accessible for servicing. Can be mounted individually or in continuous rows.

SHIELDING: K12 acrylic prismatic lens. Linear prisms on side walls. Snaps in easily from either side for relamping and cleaning. Consult factory for other options not listed.

BALLAST: Electronic TB, Class "P", CBM-ETL certified. Consult factory for magnetic T12 ballast

FINISH: All steel parts are treated with the HASCO "Perm-O-Last" multi-stage rust inhibitive process. Standard finish is a durable baked white enamel with a minimum reflectance of 90%. Consult factory for other colors and finishes. Fixture is post painted.

LABELING: All HASCO fixtures are U.L. approved and IBEW union made.

PHOTOMETRICS: 120 NARROWLIGHTER SERIES COEFFICIENTS OF UTILIZATION, ZONAL CAVITY METHOD EFFECTIVE FLOOR CAVITY REFLECTANCE 0.20

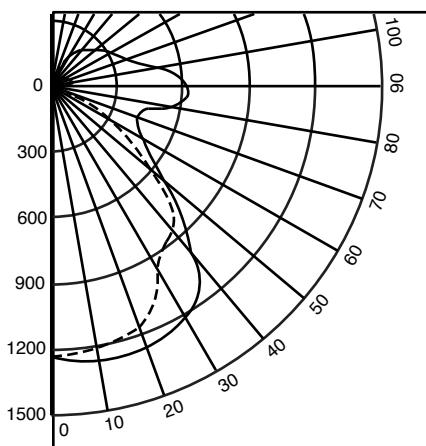
CEILING WALL RCR	80				50			30		
	70	50	30	10	50	30	10	50	30	10
0	100	100	100	100	84	84	84	67	67	67
1	89	84	79	77	73	69	67	59	57	56
2	81	74	68	63	64	59	56	52	49	47
3	74	65	58	53	57	51	47	47	43	41
4	68	57	49	44	50	45	41	37	33	29
5	62	51	44	38	44	39	31	34	30	29
6	57	46	38	33	40	35	30	34	30	26
7	53	41	34	29	36	31	26	31	26	25
8	49	37	29	25	33	27	23	27	25	19
9	44	33	26	21	29	24	19	25	23	19
10	42	30	23	20	27	21	19	22	18	16

Luminaire: Formed Steel
Ballast: Valmont E232P1120G01
Lamping: [2] F032T8 @2900 lumens
Mounting: Surface

HASCO File #70598/ITL
Prepared by: P. Marshall
Catalog number: 120-4-232-120

Data subject to change
Please consult factory for additional information.

ISO CURVE



CANDLE POWER SUMMARY

VERT ANGLE	0	45	90
0	1235	1235	1235
10	1215	1254	1273
20	1151	1257	1302
30	1042	1178	1221
40	865	998	994
45	642	692	846
50	585	455	672
60	298	327	473
70	161	252	442
80	79	247	539
90	2	247	631
100	3	379	494
110	8	252	371
120	11	226	338
130	11	171	261
135	10	106	181
140	10	56	104
150	12	29	104
160	13	14	49
170	11	10	19
180	9	9	9

ZONAL LUMEN SUMMARY

ZONE	LUMENS	%LAMP	%FIXTURE
0-30	1031	17.8	20.8
0-40	1704	29.7	31.1
0-60	2815	49.3	56.5
0-90	3801	66.6	76.2