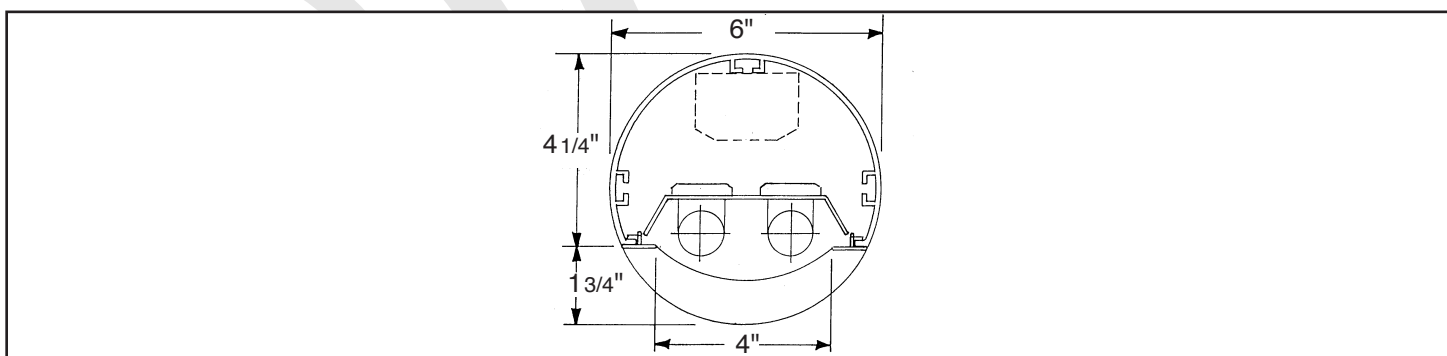
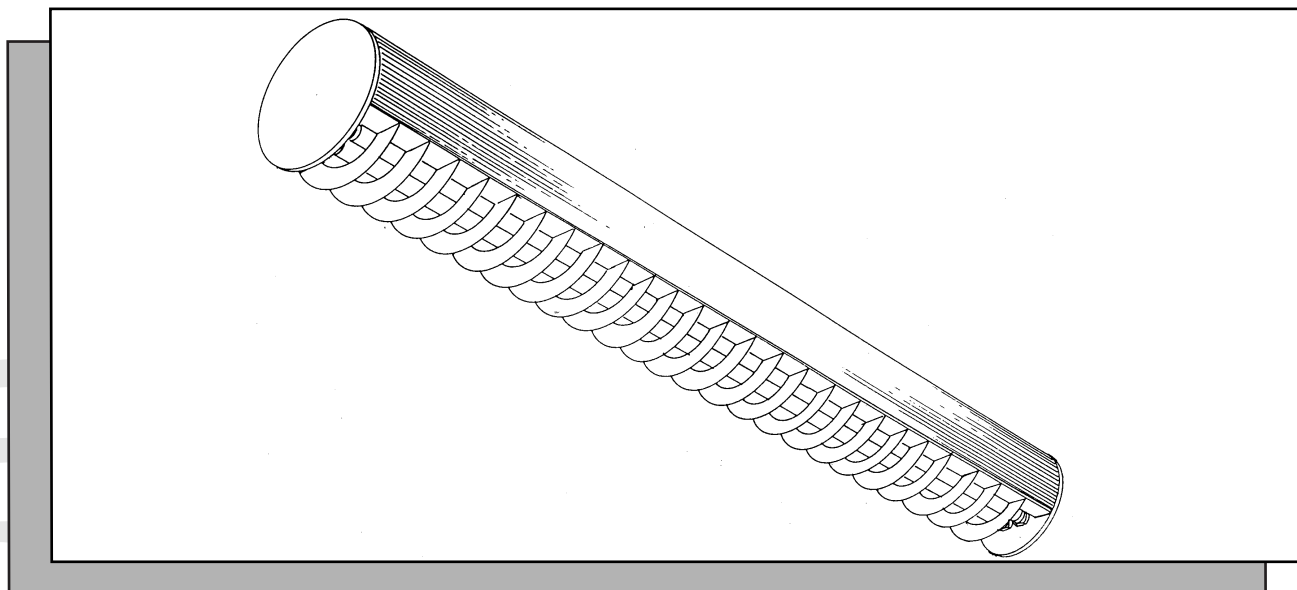
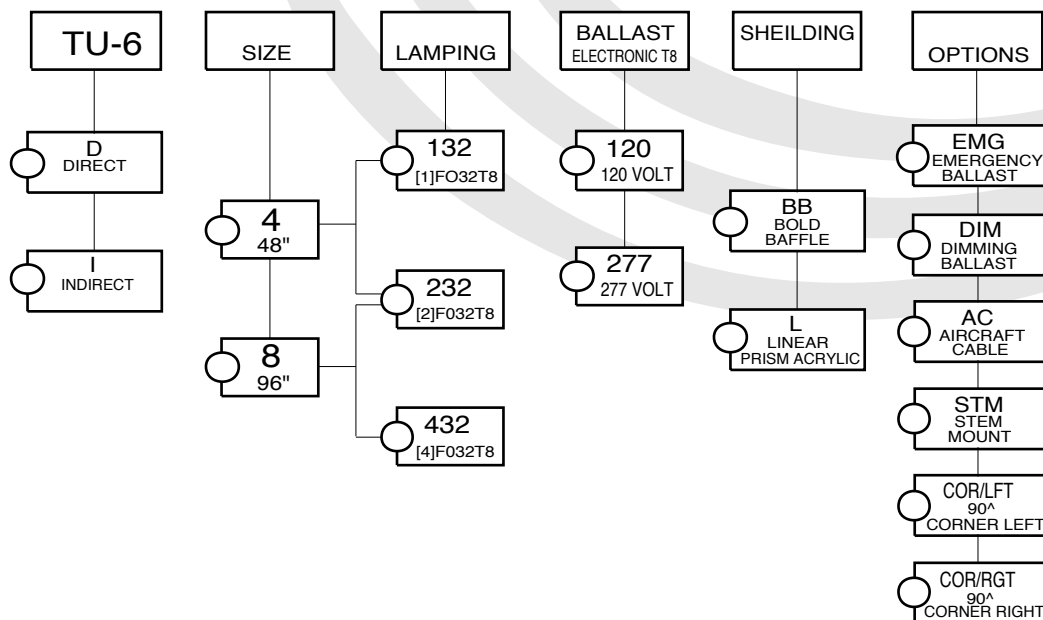


# TU 6B SERIES Tubular 6" Baffle



## ORDERING DATA



# Specifications

**DESCRIPTION:** Pendant mount direct, or indirect lighting. High efficiency, high visual comfort. Classic shape and attractive appearance make it ideal for commercial office, retail and educational applications. Units can be mounted individually or in continuous rows.

**HOUSING:** Extruded aluminum alloy. Precision hair line joints eliminate light leakage.

**SHIELDING:** Bold baffle formed of matte white steel. Linear prism non-yellowing acrylic lens available.

**BALLAST:** Electronic TB, Class "P" CBM-ETL certified.

**FINISH:** All steel parts are treated with the HASCO "Perm-O-Last" multi-stage rust inhibitive process. Standard finish is a durable baked white enamel with a minimum reflectance of 90%. Consult factory for other colors and finishes. Fixture is post painted.

**LABELING:** All HASCO fixtures are U.L. approved and IBEW union made.

## PHOTOMETRICS: TU 6B

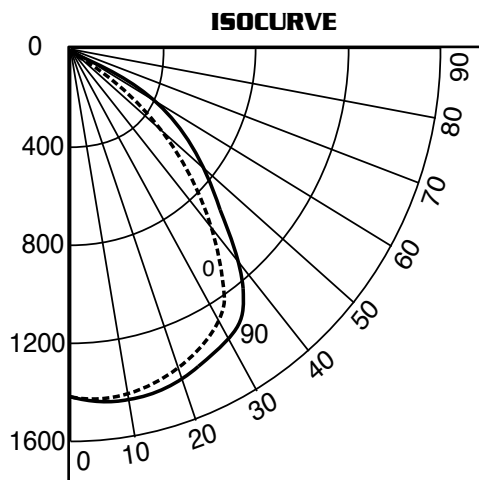
COEFFICIENTS OF UTILIZATION, ZONAL CAVITY METHOD  
EFFECTIVE FLOOR CAVITY REFLECTANCE 0.20

CEILING WALL	80			70			50			
	70	50	30	10	50	30	10	50	30	10
RCR										
0	68	68	68	68	65	65	65	61	61	61
1	62	59	56	54	57	54	52	54	52	51
2	56	50	47	44	50	46	43	47	44	42
3	51	45	40	35	47	44	42	42	38	35
4	46	41	36	30	44	38	33	36	32	29
5	44	37	30	27	35	30	26	33	29	25
6	43	35	28	25	30	26	23	30	26	23
7	39	30	25	20	28	23	19	26	22	19
8	37	29	22	19	26	21	17	24	20	18
9	31	25	21	17	24	19	16	24	20	17
10	31	22	19	16	22	17	16	21	17	15

**Luminaire: EXTRUDED ALUMINUM**  
**Ballast: Valmont E232P1120601**  
**Lamping: [2] F032T8 @2900 lumens**  
**Mounting: Pendant**

**HASCO File #1796/ITL**  
**Prepared by: P. Marshall**  
**Catalog number: TU 6D-4-232-120-88-5TM**

**Data subject to change**  
**Please consult factory for additional information.**



### CANDLE POWER SUMMARY

VERT ANGLE	0	45	90
0	1410	1410	1410
10	1412	1452	1496
20	1385	1405	1425
30	1256	1316	1374
40	950	1005	1102
45	755	815	884
50	672	652	635
60	216	236	273
70	56	76	132
80	26	53	62
90	0	0	0

### ZONAL LUMEN SUMMARY

ZONE	LUMENS	%LAMP	%FIXTURE
180-90	280	4.88	11.45
90-0	1436	41.5	70.20