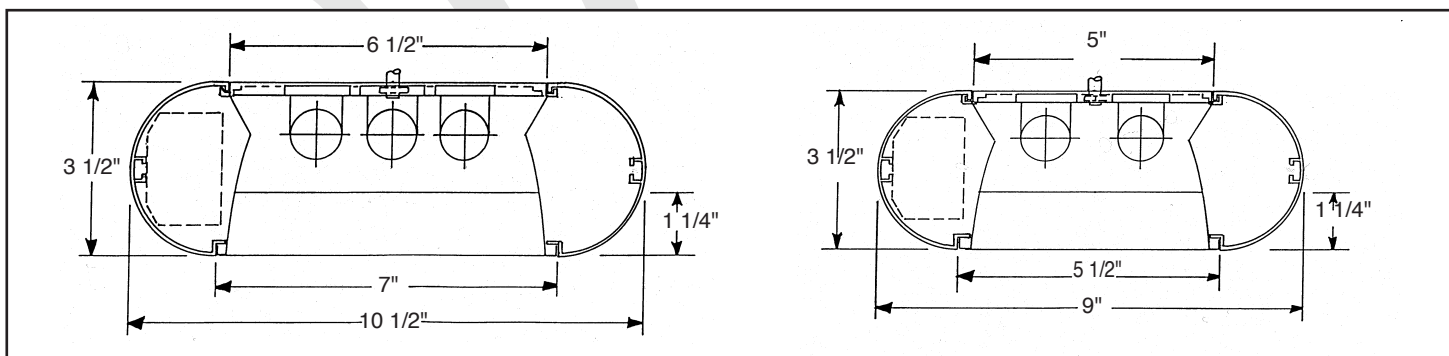
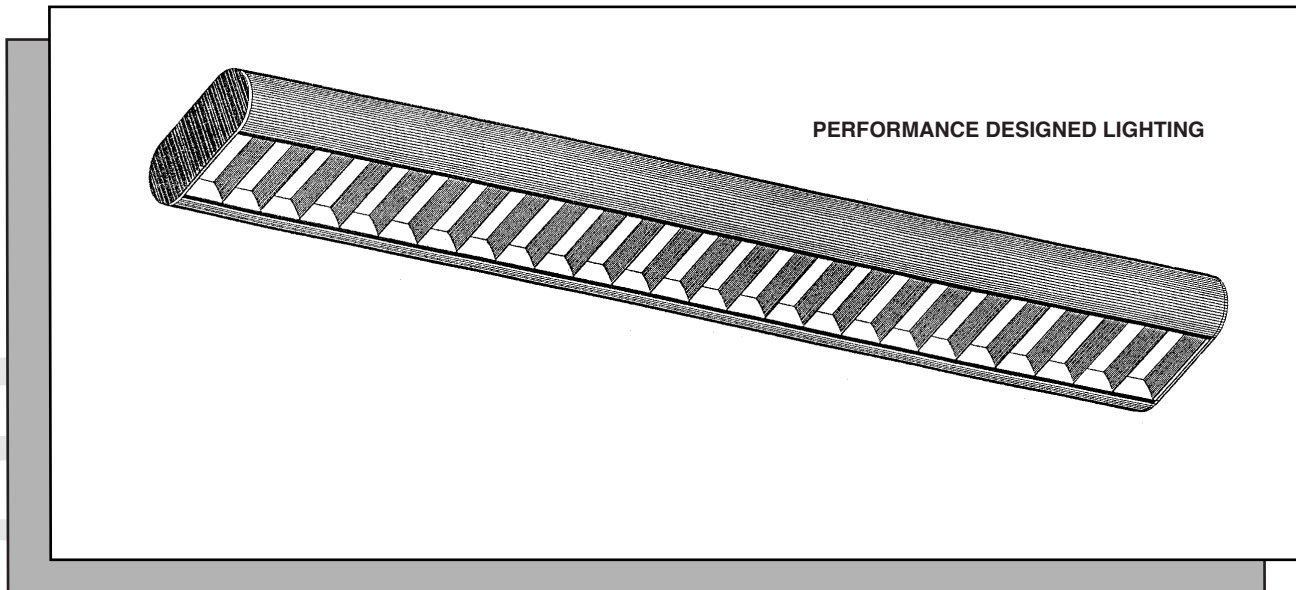
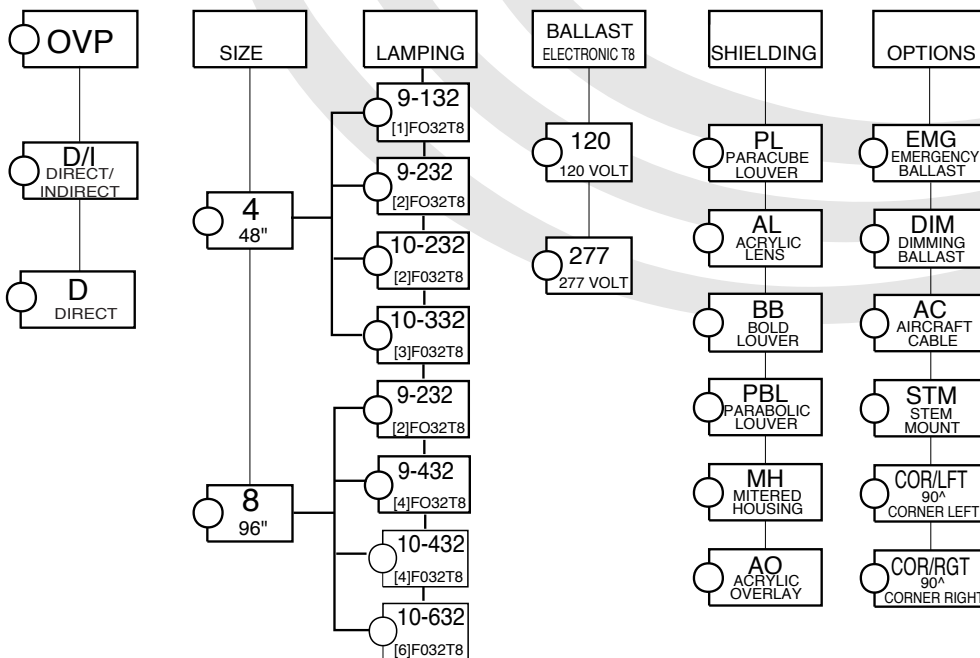


# OVP 9/10 OVALIGHT SERIES

PENDANT MOUNTED DIRECT / INDIRECT



## ORDERING DATA



# Specifications

**DESCRIPTION:** Surface or pendant mount direct/indirect lighting. High efficiency, high visual comfort, and attractive appearance make it ideal for commercial office, retail and educational applications. Units can be mounted individually or in continuous rows.

**HOUSING:** Extruded aluminum alloy #6063T5 with a nominal thickness of .125". Snap in louver allows easy removal and completely conceals ballast and wiring compartment.

**SHIELDING:** High efficiency low iridescence, semi-specular or full specular anodized aluminum parabolic louver. Blades feature a vertical grain with a 23 degree crosswise shielding and 30 degree lengthwise. Louver snaps in for easy removal for relamping and cleaning. Consult factory for options not listed.

**BALLAST:** Electronic T8, Class "P" CBM-ETL certified.

**FINISH:** All steel parts are treated with the HASCO "Perm-O-Last" multi-stage rust inhibitive process. Standard finish is a durable baked white enamel with a minimum reflectance of 90%. Consult factory for other colors and finishes. Fixture is post painted.

**LABELING:** All HASCO fixtures are U.L. approved and IBEW union made.

## PHOTOMETRICS: OVP 9/10 OVALIGHT SERIES DIRECT/INDIRECT COEFFICIENTS OF UTILIZATION, ZONAL CAVITY METHOD EFFECTIVE FLOOR CAVITY REFLECTANCE 0.20

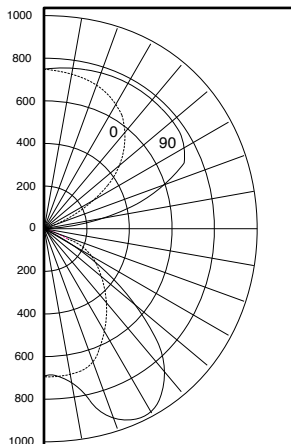
CEILING	80			50			30			
WALL	70	50	30	10	50	30	10	50	30	10
RCR										
0	95	95	95	95	71	71	71	57	57	57
1	88	84	81	78	64	62	60	51	50	49
2	81	75	70	66	57	54	52	47	45	43
3	74	67	61	56	51	48	45	42	39	37
4	68	59	53	48	46	42	39	38	35	33
5	63	53	46	41	41	37	33	34	31	28
6	58	47	40	36	37	32	29	31	27	25
7	53	42	36	31	33	29	25	27	24	22
8	49	38	31	27	30	25	22	25	21	19
9	45	34	28	23	27	22	19	22	19	16
10	42	31	25	20	24	20	17	20	17	14

**Luminaire: Extruded Aluminum, parabolic louver**  
**Ballast: Valmont E232P1120601**  
**Lamping: [2] F032T8 @2950 lumens**  
**Mounting: SUSPENDED**

**HASCO File #OV9232814**  
**Prepared by: P. Marshall**  
**Catalog number: OVP-9-232**

**Data subject to change**  
**Please consult factory for**  
**additional information.**

### ISOCURVE



### CANDLE POWER SUMMARY

ANGLE	0	45	90
0	724	724	724
5	725	734	746
15	693	805	893
25	619	892	1075
35	532	962	943
45	416	708	734
55	265	427	350
65	67	98	33
75	10	12	11
85	8	8	8
90	0	0	0
95	19	74	50
105	119	406	451
115	246	589	708
125	376	617	814
135	494	655	779
145	597	692	769
155	669	722	755
165	718	740	758
175	745	746	747
180	745	745	745

### ZONAL LUMEN SUMMARY

ZONE	LUMENS	%LAMP	%FIXTURE
0-30	709	12.1	13.4
0-40	1219	21	23.1
0-60	2072	34.6	39.2
0-90	2166	37.9	44.8
90-120	982	16.5	18.3
90-130	1525	26.0	28.9
90-150	2463	42.3	26.7
90-180	3073	53.1	58.4
0-180	5253	89.6	100