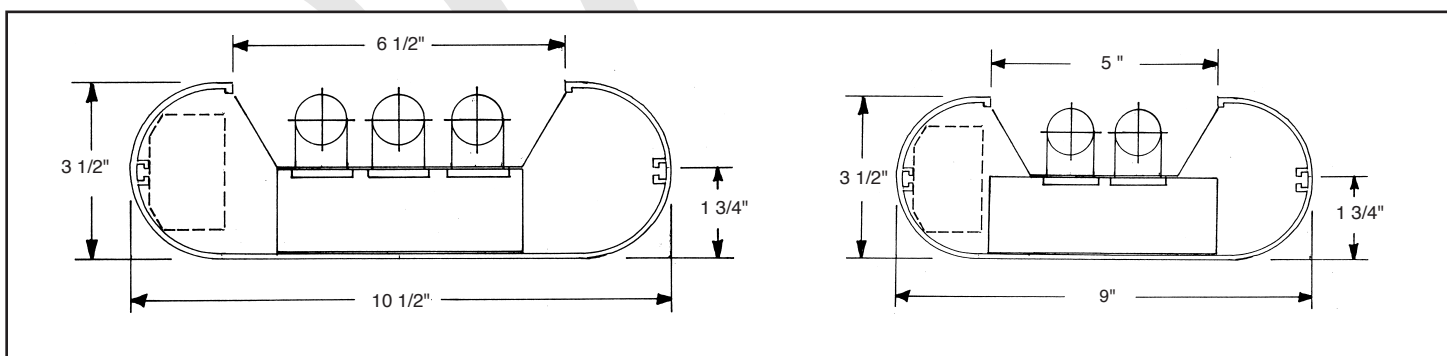
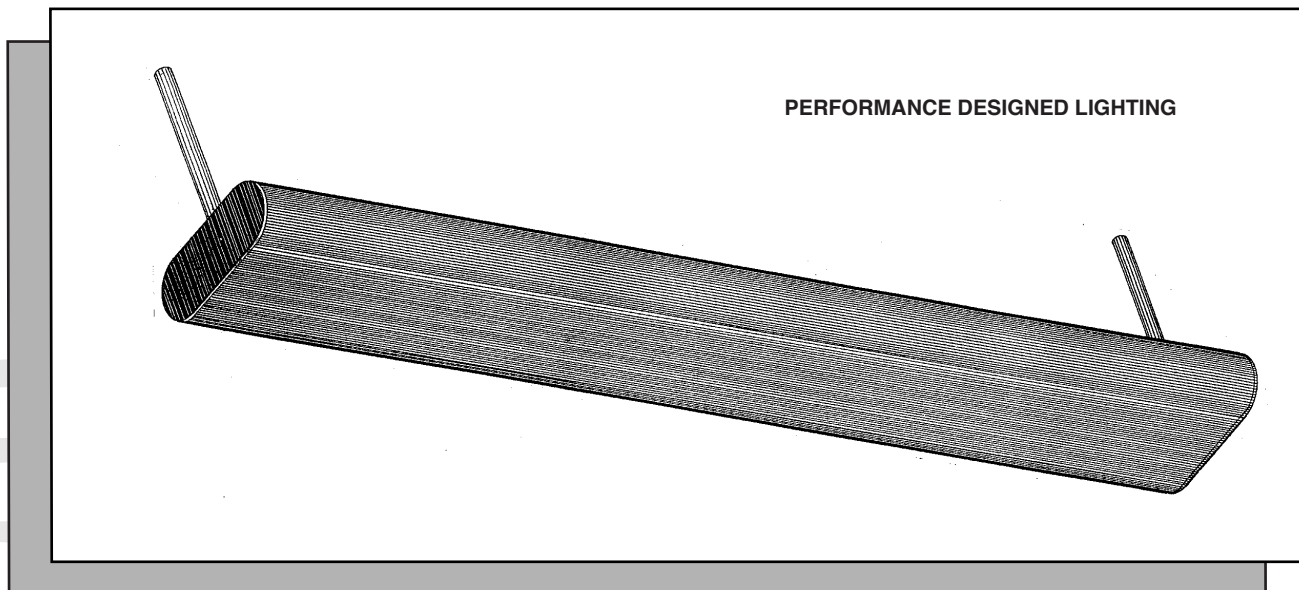
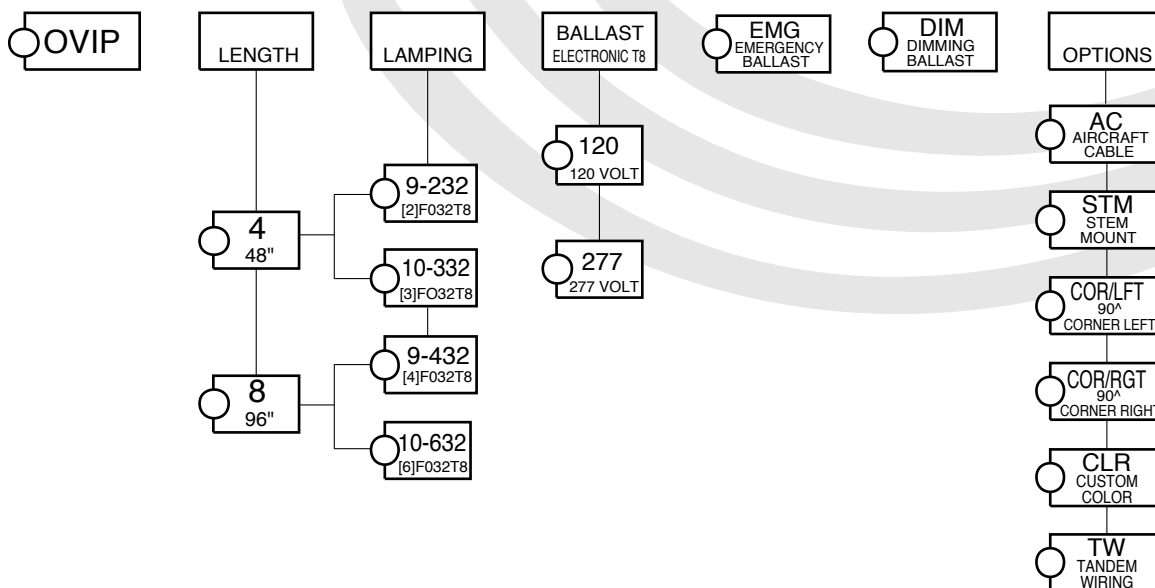


# OVIP 9/10 OVALIGHT SERIES

PENDANT MOUNTED INDIRECT



## ORDERING DATA



# Specifications

**FIXTURE:** Pendant mount indirect lighting. High efficiency, high visual comfort, and attractive appearance make it ideal for commercial office, VDT, retail and educational applications. Units can be mounted individually or in continuous rows.

**HOUSING:** Extruded aluminum alloy #6063T5 with a nominal thickness of .125". Ballast and wiring compartment are concealed yet easily accessible.

**OPTICS:** High efficiency full specular anodized aluminum reflector. Consult factory for options not listed.

**BALLAST:** Electronic T8, Class "P" CBM-ETL certified.

**FINISH:** All steel parts are treated with the HASCO "Perm-O-Last" multi-stage rust inhibitive process. Standard finish is a durable baked white enamel with a minimum reflectance of 90%. Consult factory for other colors and finishes. Fixture is post painted.

**LABELING:** All HASCO fixtures are U.L. approved and IBEW union made.

## PHOTOMETRICS: OVIP 9/10 Ovalight SERIES COEFFICIENTS OF UTILIZATION, ZONAL CAVITY METHOD EFFECTIVE FLOOR CAVITY REFLECTANCE 0.20

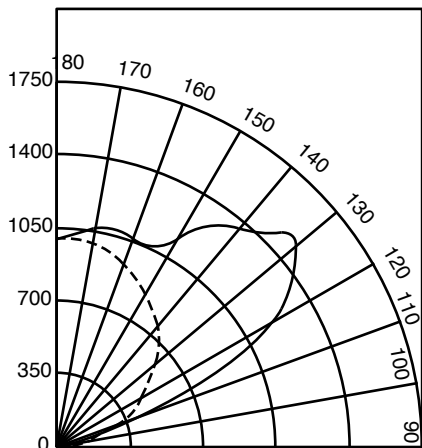
CEILING	80				70			50		
WALL	70	50	30	10	50	30	10	50	30	10
RCR										
0	81	81	81	81	69	69	69	25	25	25
1	72	69	64	62	62	60	54	22	21	21
2	64	59	53	49	55	51	47	19	17	16
3	58	51	44	41	50	44	41	17	15	14
4	52	45	39	34	46	39	34	16	14	13
5	48	39	33	28	42	34	29	13	11	10
6	46	38	29	24	38	31	27	11	10	9
7	41	31	26	21	35	29	21	11	10	8
8	38	27	21	18	33	25	19	9	8	7
9	34	26	20	18	30	22	17	8	7	6
10	33	22	18	14	29	20	17	7	6	4

**Luminaire: Extruded Aluminum**  
**Ballast: Valmont E232P1120601**  
**Lamping: [2] F032T8 @2900 lumens**  
**Mounting: Pendant**

**HASCO File #0786/ITL**  
**Prepared by: P. Marshall**  
**Catalog number: OVIP-9-232-120-STM**

**Data subject to change**  
**Please consult factory for**  
**additional information.**

**ISOCURVE**



**CANDLE POWER SUMMARY**

VERT ANGLE	0	45	90
90	0	0	0
100	142	93	89
110	285	571	521
120	461	1131	1161
130	611	1216	1639
135	684	1138	1598
140	741	1061	1528
150	847	1019	1344
160	916	995	1171
170	954	971	1054
180	959	959	959

**ZONAL LUMEN SUMMARY**

ZONE	LUMENS	%LAMP	%FIXTURE
90-120	1556	27.2	31.7
90-130	2574	44.3	50.1
90-150	4097	71.6	82.3
90-180	4922	85.4	100.0
0-180	4922	85.4	100.0