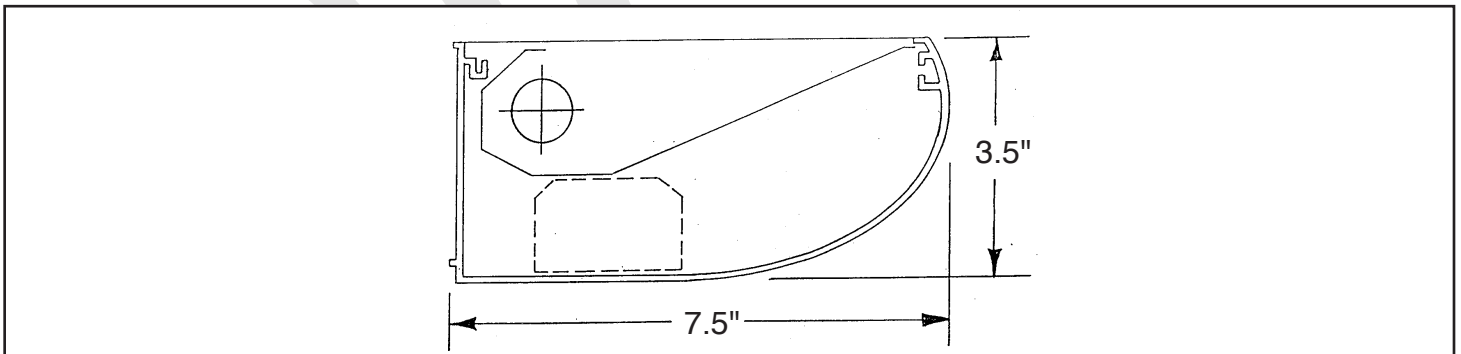
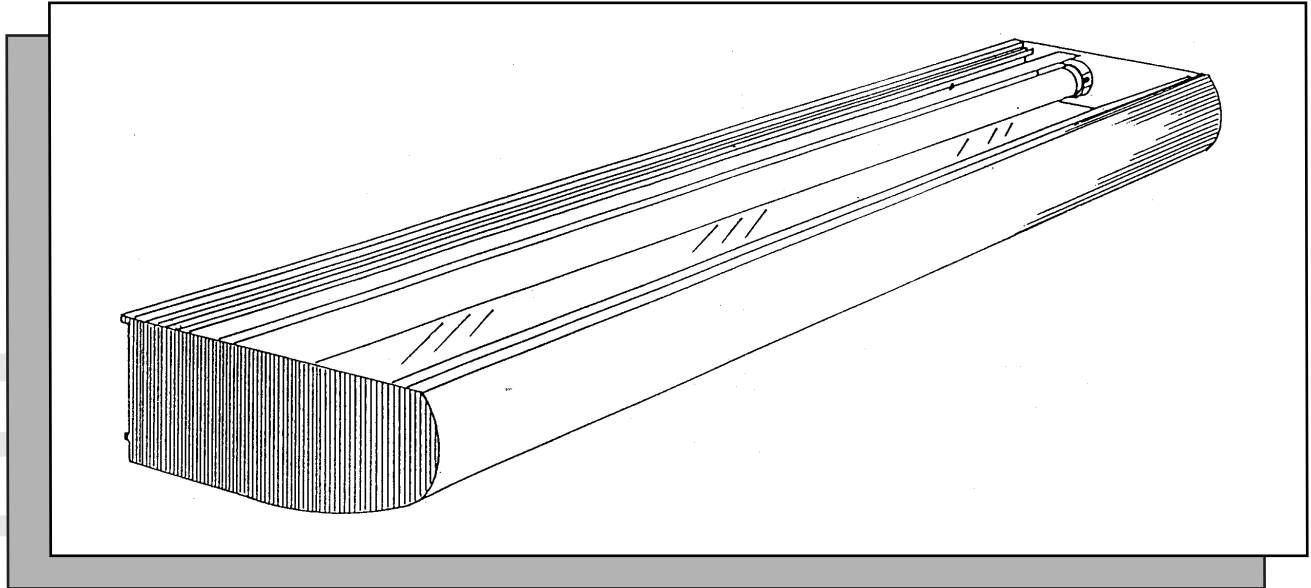
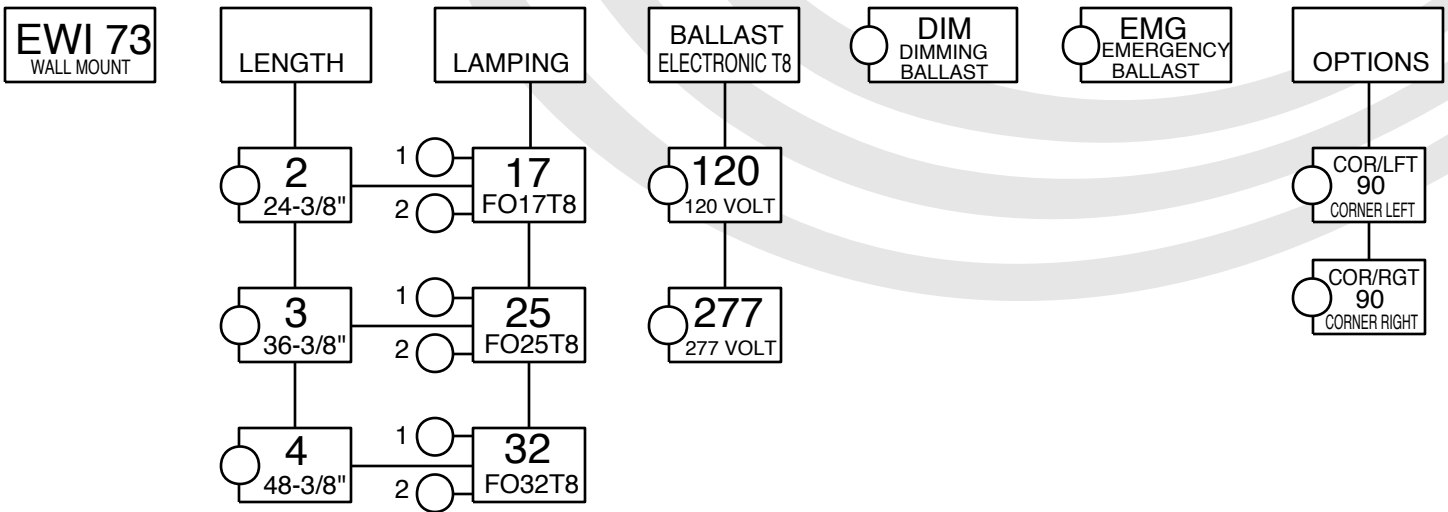


EWI 73

EXTRUDED WALL INDIRECT



ORDERING DATA



Specifications

DESCRIPTION: Wall mounted indirect lighting with asymmetric distribution. Perforated front panel is an option. High efficiency, high visual comfort, and attractive appearance make it ideal for architecturally significant spaces.

HOUSING: Precision formed extruded aluminum .125 thickness. The socket plates and ballast cover are easily accessible for servicing.

BALLAST: Electronic T8, Class "P", CBM-ETL certified. Consult factory for magnetic T12 ballast

FINISH: All steel parts are treated with the HASCO "Perm-O-Last" multi-stage rust inhibitive process. Standard finish is a durable baked white enamel with a minimum reflectance of 90%. Consult factory for other colors and finishes. Fixture is post painted.

LABELING: All HASCO fixtures are U.L. approved and IBEW union made.

PHOTOMETRICS: EW173

COEFFICIENTS OF UTILIZATION, ZONAL CAVITY METHOD
EFFECTIVE FLOOR CAVITY REFLECTANCE 0.20

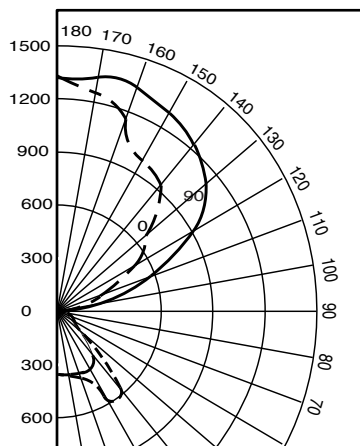
CEILING WALL	80				50			30		
	70	50	30	10	50	30	10	50	30	10
RCR										
0	71	71	71	71	44	44	44	28	28	28
1	64	61	58	56	38	37	36	24	24	23
2	58	53	49	46	33	31	29	21	20	19
3	53	47	42	38	29	27	24	19	17	16
4	48	41	36	32	26	23	21	17	15	14
5	44	36	31	27	23	20	17	15	13	11
6	41	32	27	23	20	17	15	13	11	10
7	37	29	24	20	18	15	13	12	10	9
8	34	26	21	17	16	13	11	11	9	7
9	32	24	18	15	15	12	10	10	8	6
10	30	21	16	13	14	11	9	9	7	6

Luminaire: Extruded Aluminum
Ballast: Valmont E232P1120G01
Lamping: [2] F032T8 @2900 lumens
Mounting: WALL MOUNT

HASCO File #201098
Prepared by: P. Marshall
Catalog number: EW173-4-232-120

Data subject to change
Please consult factory for
additional information.

ISOCURVE



CANDLE POWER SUMMARY

VERT ANGLE	0	45	90
0	361	361	361
10	381	381	376
20	422	415	345
30	565	396	317
40	536	496	271
45	255	333	195
50	86	124	82
60	42	19	10
70	8	5	5
80	5	4	2
90	9	6	1
100	79	159	235
110	254	384	580
120	489	604	930
130	715	807	1130
135	807	907	1207
140	914	992	1250
150	1050	1138	1350
160	1154	1248	1365
170	1274	1309	1365
180	1341	1341	1341

ZONAL LUMEN SUMMARY

ZONE	LUMENS	%LAMP	%FIXTURE
180-90	1431	70.23	96.5
90-0	125	2.01	2.54
0-180	4277	72.1	100.0