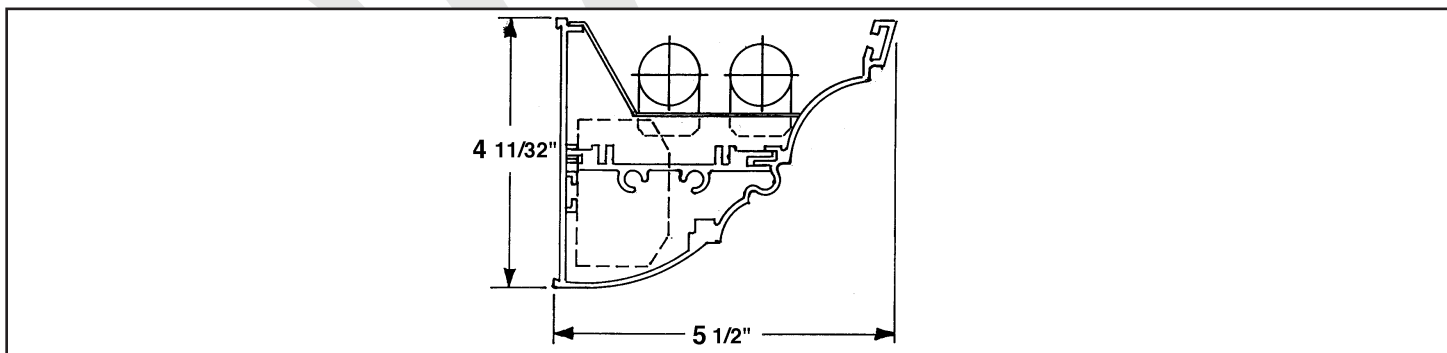
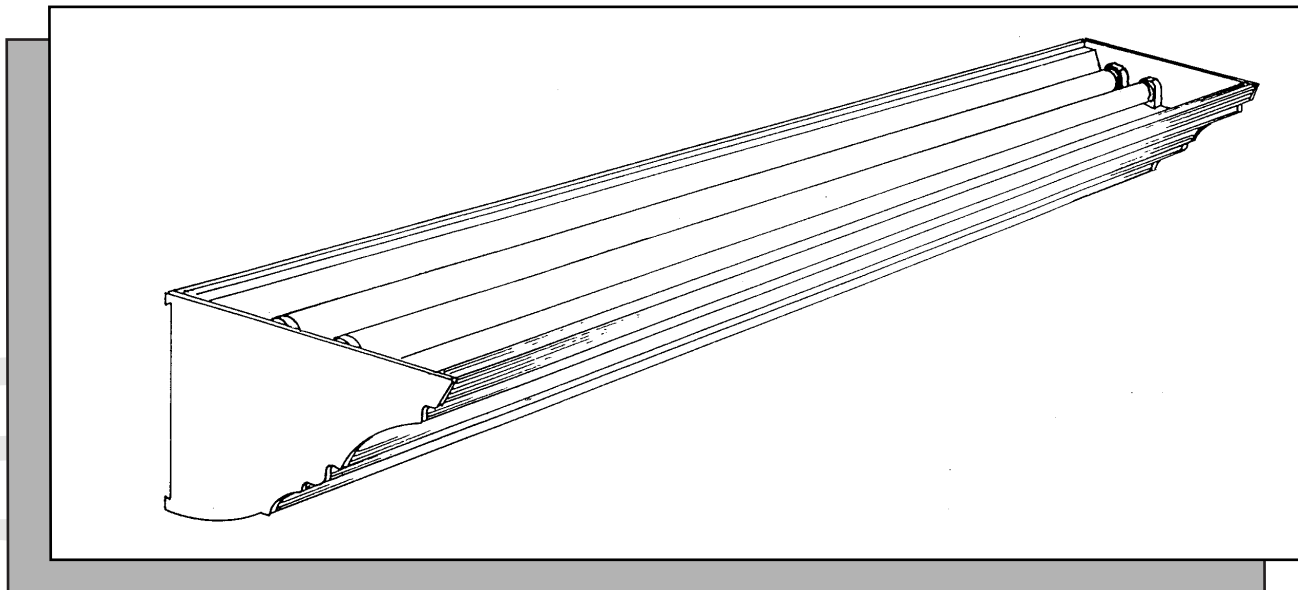
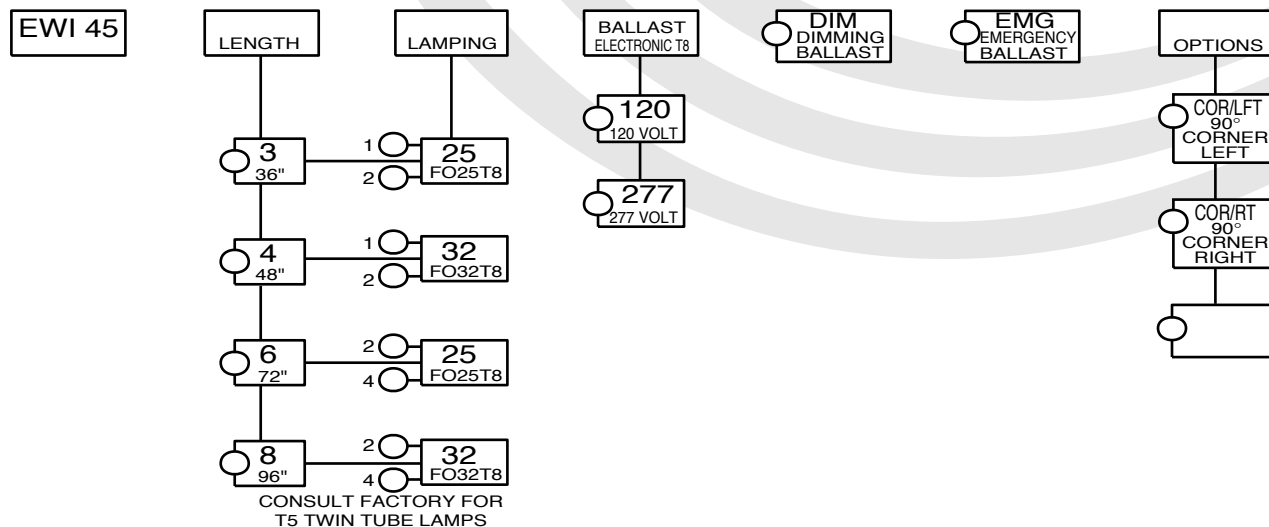


EWI 45 SERIES

EXTRUDED WALL INDIRECT



ORDERING DATA



Specifications

DESCRIPTION: Neo classic molding shape and upright distribution illuminates and enhances a traditional space without disturbing the architectural integrity. Fixture has high efficiency, high visual comfort, and attractive appearance.

HOUSING: Precision formed extruded aluminum. The socket plates and ballast cover are easily accessible for servicing.

OPTICS: Full specular aluminum anodized reflector system. Consult factory for options not listed.

BALLAST: Electronic T8 or Twin Tube 40w, Class "P", CBM-ETL certified. Consult factory for magnetic T12 ballast

FINISH: All steel parts are treated with the HASCO "Perm-O-Last" multi-stage rust inhibitive process. Standard finish is a durable baked white enamel with a minimum reflectance of 90%. Consult factory for other colors and finishes. Fixture is post painted.

LABELING: All HASCO fixtures are U.L. approved and IBEW union made.

PHOTOMETRICS: EW145

COEFFICIENTS OF UTILIZATION, ZONAL CAVITY METHOD
EFFECTIVE FLOOR CAVITY REFLECTANCE 0.20

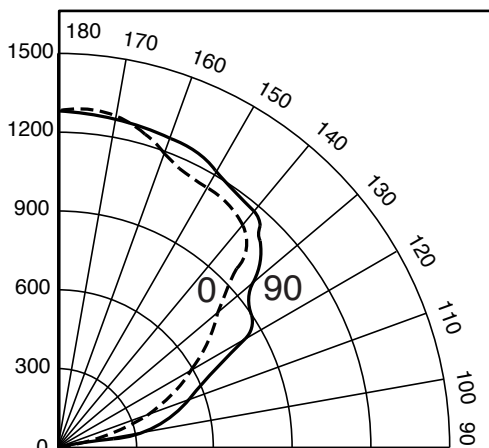
CEILING WALL RCR	80				50			30		
	70	50	30	10	50	30	10	50	30	10
0	71	71	71	71	42	42	42	23	23	23
1	65	62	59	58	36	34	33	20	19	19
2	59	54	49	46	31	29	27	17	16	16
3	53	47	42	38	27	25	23	15	14	13
4	49	41	36	32	24	21	20	13	12	11
5	44	36	31	27	21	18	16	12	10	9
6	41	33	27	23	19	16	14	10	9	8
7	37	29	23	19	17	14	12	9	8	7
8	34	26	20	17	15	12	10	8	6	6
9	32	24	18	16	13	11	9	7	6	5
10	32	23	16	13	12	9	8	7	5	3

Luminaire: Extruded Aluminum
Ballast: Valmont E232P1120601
Lamping: [2] F32T8 @2900 lumens
Mounting: WALL

HASCO File #101663/ITL
Prepared by: P. Marshall
Catalog number: EW145-P-4-232-120

Data subject to change
Please consult factory for
additional information.

ISO CURVE



CANDLE POWER SUMMARY

VERT ANGLE	0	90
90	0	0
100	154	201
110	376	548
120	601	831
130	802	1024
135	884	1094
140	974	1149
150	1114	1221
160	1208	1251
170	1266	1269
180	1272	1274

ZONAL LUMEN SUMMARY

ZONE	LUMENS	%LAMP	%FIXTURE
0-90	0	0	0
90-180	4391	74.9	100
0-180	4391	74.9	100