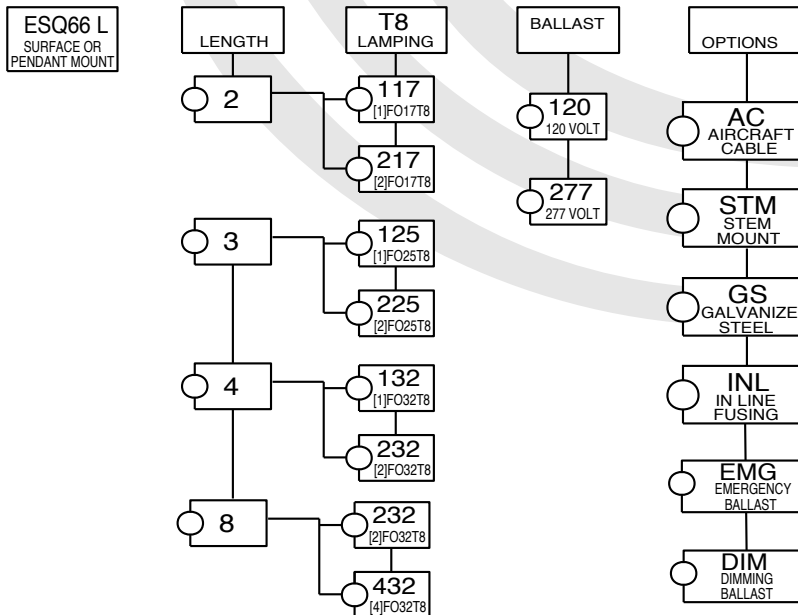


ORDERING DATA



Specifications

DESCRIPTION: Corner or pendant mount asymmetric distribution fluorescent luminaire. Can mounted between wall and ceiling junction for corridor or perimeter lighting. Pendant mounting available, lensed side can face surface for simultaneous wall washing and downlight.

HOUSING: Extruded aluminum. The socket plates and ballast cover are easily accessible for servicing.

SHIELDING: Clear linear prismatic acrylic. Consult factory for options not listed.

BALLAST: Electronic T8, Class "P", CBM-ETL certified. Consult factory for magnetic T12 ballast

FINISH: All steel parts are treated with the HASCO "Perm-O-Last" multi-stage rust inhibitive process. Standard finish is a durable baked white enamel with a minimum reflectance of 90%. Consult factory for other colors and finishes. Fixture is post painted.

LABELING: All HASCO fixtures are U.L. approved and IBEW union made.

PHOTOMETRICS: ESQ 66L

COEFFICIENTS OF UTILIZATION, ZONAL CAVITY METHOD
EFFECTIVE FLOOR CAVITY REFLECTANCE 0.20

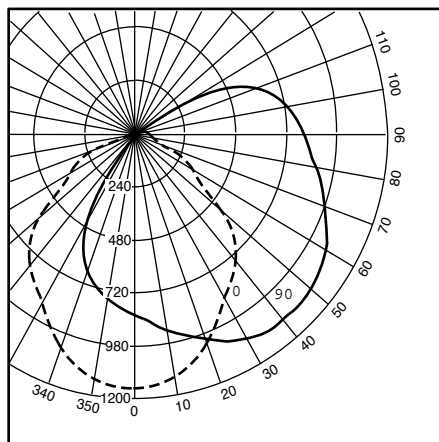
CEILING WALL RCR	80			50			10		
	70	50	30	50	30	10	50	30	10
1	67	61	59	58	56	54	51	50	49
2	62	58	48	51	48	45	45	43	41
3	57	50	41	46	42	39	41	38	36
4	53	45	36	42	38	34	37	34	32
5	49	41	32	38	34	30	34	31	28
6	45	38	29	35	30	27	31	28	26
7	43	35	26	32	28	25	29	26	24
8	40	32	24	30	26	23	27	24	22
9	38	30	22	28	24	21	26	22	20
10	36	28	20	26	22	20	24	21	19

Luminaire: Extruded Aluminum
Ballast: Valmont E232P1120G01
Lamping: [2] F032T8 @2900 lumens
Mounting: Surface Asymmetric

HASCO File # 24871/ITL
Prepared by: P. Marshall
Catalog number: ESQ66L-4-232-120

Data subject to change
Please consult factory for
additional information.

ISO CURVE



CANDLE POWER SUMMARY

VERT ANGLE	0	90
310	802	100
320	732	40
330	924	475
340	1035	674
350	1147	764
0	1149	842
10	1148	847
20	1035	1002
30	924	1104
40	732	1123
45	679	1085
50	522	1106
60	324	1104
70	120	1002
80	52	847
90	22	842
100	11	764
110	3	674
120	2	40
130	2	100

ZONAL LUMEN SUMMARY

ZONE	LUMENS	%LAMP	%FIXTURE
180-90	2102	34.5	56.01
90-0	1587	27.3	43.88
180-0	3578	62.9	100