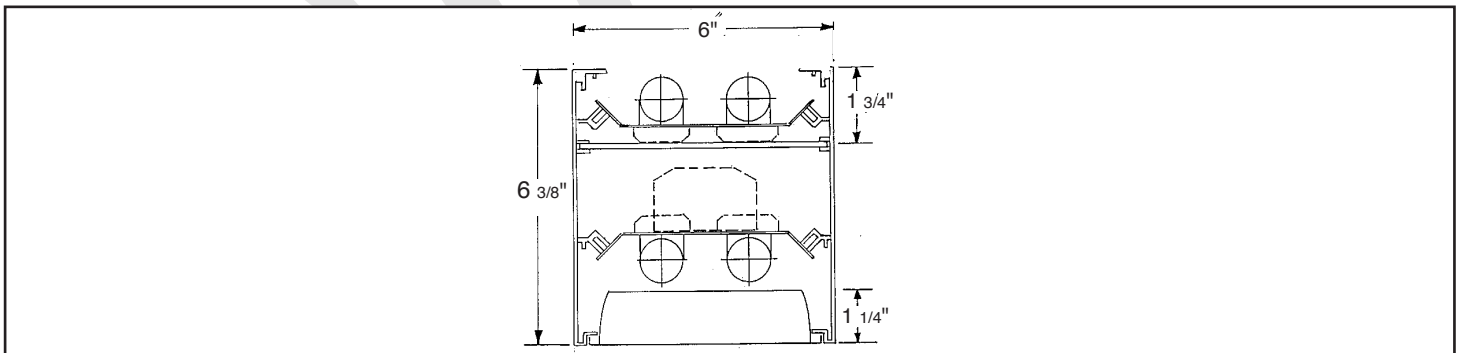
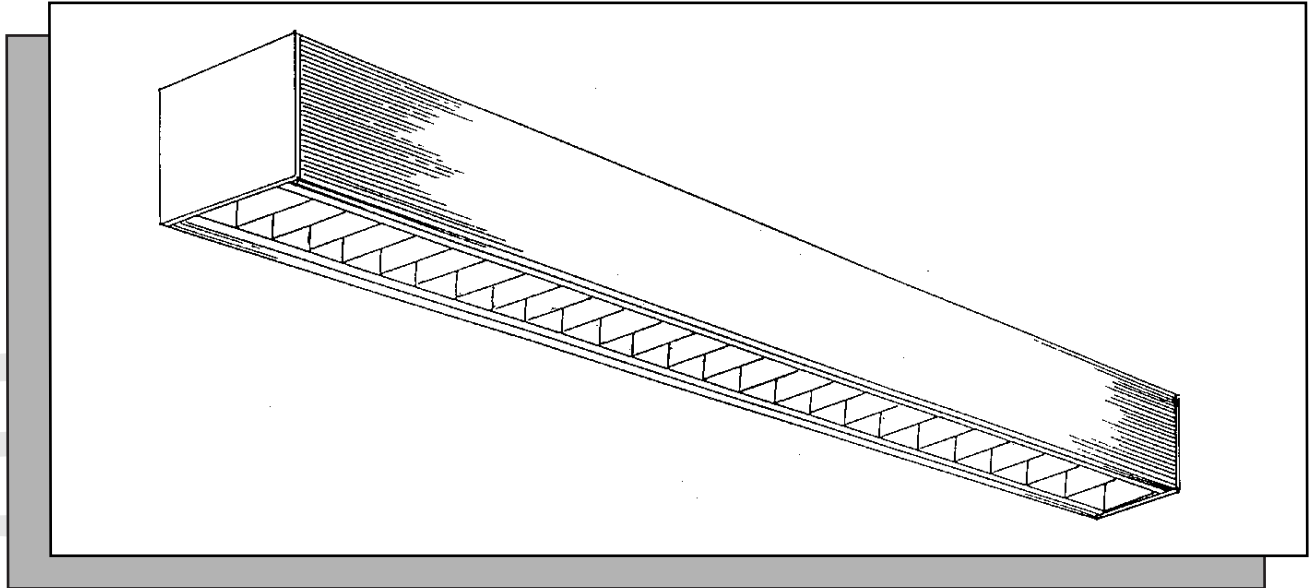
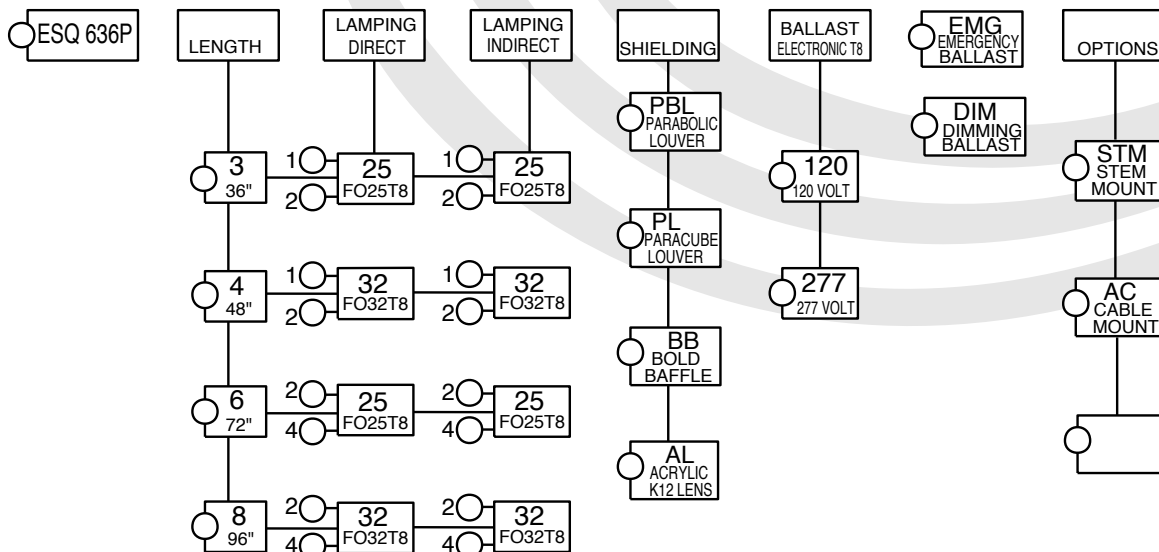


ESQ 636P SERIES

EXTRUDED SQUARE PARABOLIC



ORDERING DATA



CONSULT FACTORY FOR
T5 TWIN TUBE LAMPS

Specifications

DESCRIPTION: High efficiency, high visual comfort, and attractive appearance make it ideal for architectural spaces. Rectilinear shape, semi-direct, or semi-indirect distribution make this a versatile lighting instrument.

HOUSING: Extruded aluminum. The socket plates and ballast cover are easily accessible for servicing. Pendant mounting with sliding saddle bars for mounting ease.

SHIELDING: Direct or Semi-direct with choices of low glare, low iridescence, high efficiency semi specular parabolic louver, champagne gold, paracube louver, bold louver, or prismatic lens. Consult factory for options not listed.

BALLAST: Electronic T8 or Twin Tube 40w, Class "P", CBM-ETL certified. Consult factory for magnetic T12 ballast.

FINISH: All steel parts are treated with the HASCO "Perm-O-Last" multi-stage rust inhibitive process. Standard finish is a durable baked white enamel with a minimum reflectance of 90%. Consult factory for other colors and finishes. Fixture is post painted.

LABELING: All HASCO fixtures are U.L. approved and IBEW union made.

PHOTOMETRICS: ESQ 636P

COEFFICIENTS OF UTILIZATION, ZONAL CAVITY METHOD
EFFECTIVE FLOOR CAVITY REFLECTANCE 0.20

MULTIPLIERS

L acrylic louver

1 lamp x1.10

PBC paracube louver

1 lamp x .66

2 lamp x .55

B bold louver

1 lamp .81

2 lamp .71

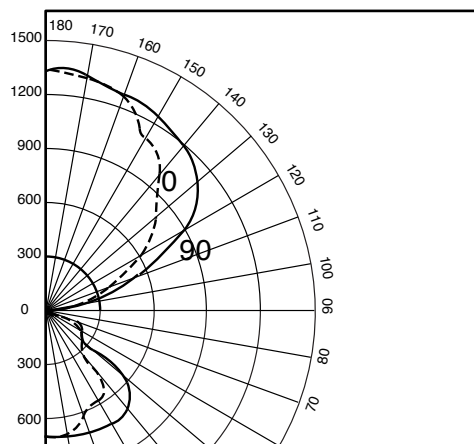
CEILING WALL RCR	80				50			30		
	70	50	30	10	50	30	10	50	30	10
0	69	69	69	69	49	49	49	35	34	34
1	63	61	60	58	42	41	39	30	31	29
2	58	53	50	48	37	35	33	19	18	18
3	53	49	43	40	33	31	28	24	23	22
4	49	41	37	33	29	27	24	23	20	19
5	45	37	32	28	26	23	21	20	18	16
6	41	33	28	25	21	18	16	18	16	14
7	38	30	25	21	21	18	16	16	15	12
8	35	29	22	18	19	16	14	14	11	9
9	33	24	19	16	17	14	12	13	11	9
10	30	22	17	14	15	12	10	11	9	8

Luminaire: Extruded Aluminum
Ballast: Valmont E332P1120601
Lamping: [3] F32T8 @2900 lumens
Mounting: PENDANT

HASCO File #141845/ITL
Prepared by: P. Marshall
Catalog number: ESQ636P
132-232 PBL 120

Data subject to change
Please consult factory for
additional information.

ISO CURVE



CANDLE POWER SUMMARY

VERT ANGLE	0	45	90
0	672	672	672
10	665	662	671
20	681	791	585
30	684	608	631
40	667	654	635
45	508	498	544
50	341	331	349
60	198	45	201
70	54	9	54
80	2	2	3
90	0	1	0
100	212	239	212
110	557	567	552
120	849	793	851
130	1043	972	1039
135	1112	1047	1171
140	1181	1018	1259
150	1264	1214	1312
160	1312	1271	1341
170	1344	1328	1346
180	1352	1352	1352

ZONAL LUMEN SUMMARY

ZONE	LUMENS	%LAMP	%FIXTURE
180-90	4547	52.1	75.26
90-0	1465	16.52	24.21
180-0	6010	69.14	100