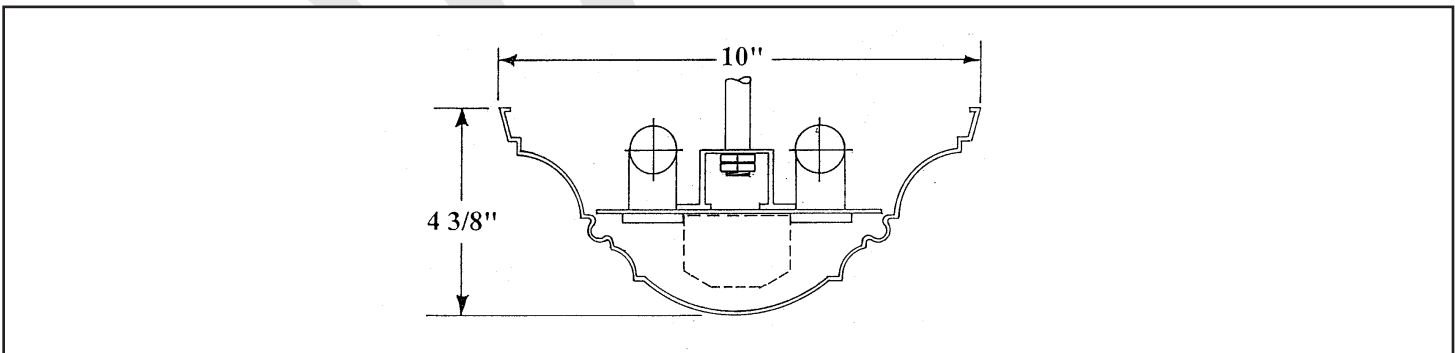
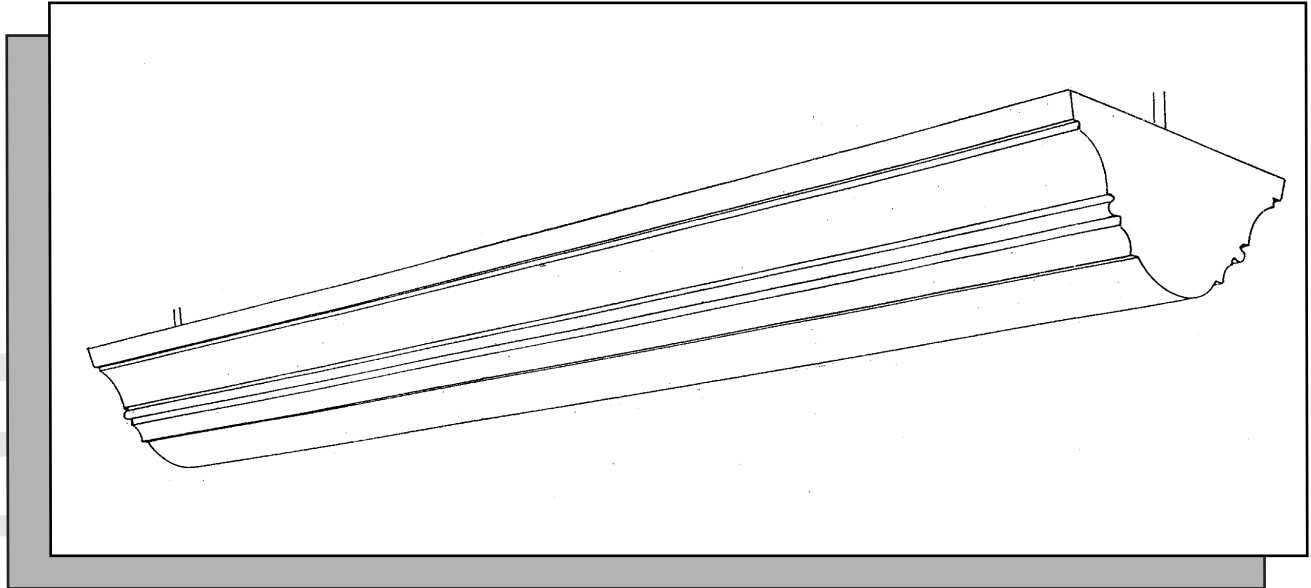
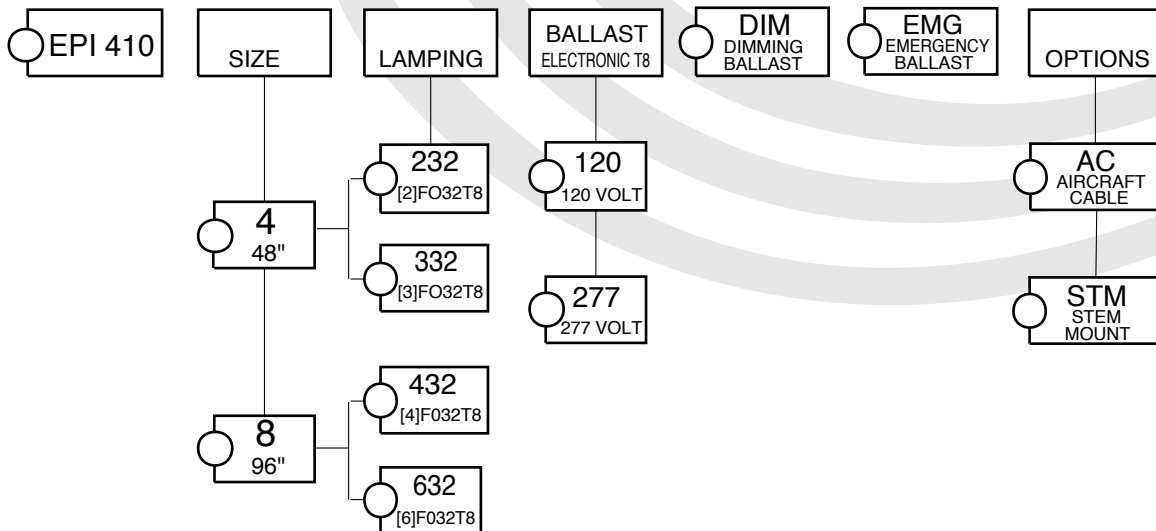


EPI 410 SERIES

EXTRUDED PENDANT INDIRECT



ORDERING DATA



Specifications

DESCRIPTION: Pendant mount indirect lighting. High efficiency, high visual comfort, and attractive appearance make it ideal for commercial office, retail and educational applications. Units can be mounted individually or in continuous rows.

HOUSING: Extruded aluminum alloy #6063T5 with a nominal thickness of .125". Snap in louver allows easy removal and completely conceals ballast and wiring compartment.

BALLAST: Electronic TB, Class "P" CBM-ETL certified.

FINISH: All steel parts are treated with the HASCO "Perm-O-Last" multi-stage rust inhibitive process. Standard finish is a durable baked white enamel with a minimum reflectance of 90%. Consult factory for other colors and finishes. Fixture is post painted.

LABELING: All HASCO fixtures are U.L. approved and IBEW union made.

PHOTOMETRICS: EPI 410 SERIES

COEFFICIENTS OF UTILIZATION, ZONAL CAVITY METHOD
EFFECTIVE FLOOR CAVITY REFLECTANCE 0.20

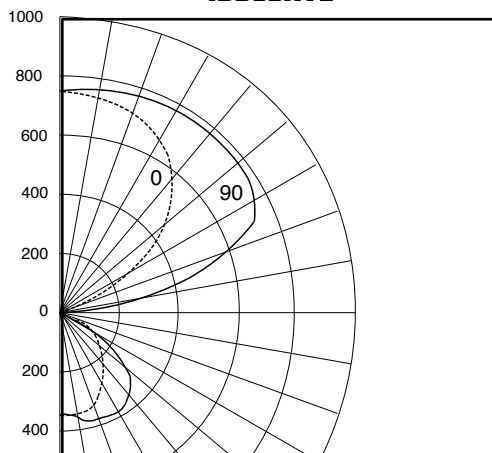
CEILING WALL	80				50			30		
	70	50	30	10	50	30	10	50	30	10
RCR										
0	95	95	95	95	71	71	71	57	57	57
1	88	84	81	78	64	62	60	51	50	49
2	81	75	70	66	57	54	52	47	45	43
3	74	67	61	56	51	48	45	42	39	37
4	68	59	53	48	46	42	39	38	35	33
5	63	53	46	41	41	37	33	34	31	28
6	58	47	40	36	37	32	29	31	27	25
7	53	42	36	31	33	29	25	27	24	22
8	49	38	31	27	30	25	22	25	21	19
9	45	34	28	23	27	22	19	22	19	16
10	42	31	25	20	24	20	17	20	17	14

Luminaire: Extruded Aluminum
Ballast: Valmont E232P1120G01
Lamping: [2] F032T8 @2950 lumens
Mounting: Suspended

HASCO File #0V8232814
Prepared by: P. Marshall
Catalog number: EPI410-4-232-120

Data subject to change
Please consult factory for
additional information.

ISO CURVE



CANDLE POWER SUMMARY

0° PLANE PARALLEL TO LAMPS

ANGLE	0	45	90
0	362	362	362
5	361	367	380
15	344	402	395
25	308	446	381
35	266	482	358
45	208	354	341
55	132	214	208
65	33	49	33
75	5	6	11
85	4	4	8
90	0	0	0
95	19	74	50
105	119	406	451
115	246	589	708
125	376	617	814
135	494	655	779
145	597	692	769
155	669	722	755
165	718	740	758
175	745	746	747
180	745	745	745

ZONAL LUMEN SUMMARY

ZONE	LUMENS	%LAMP	%FIXTURE
0-90	1056	37.9	34.8
90-180	3073	53.1	58.4
0-180	4853	79.6	100