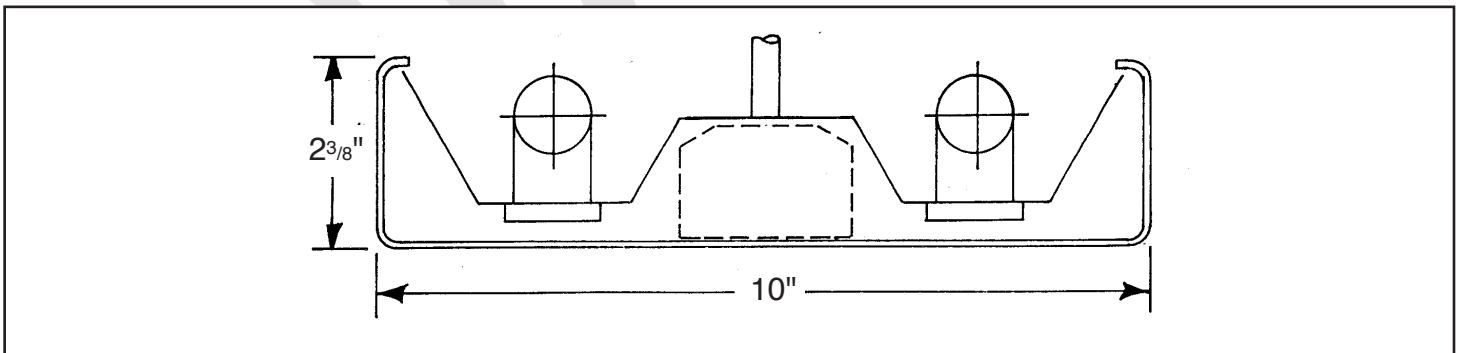
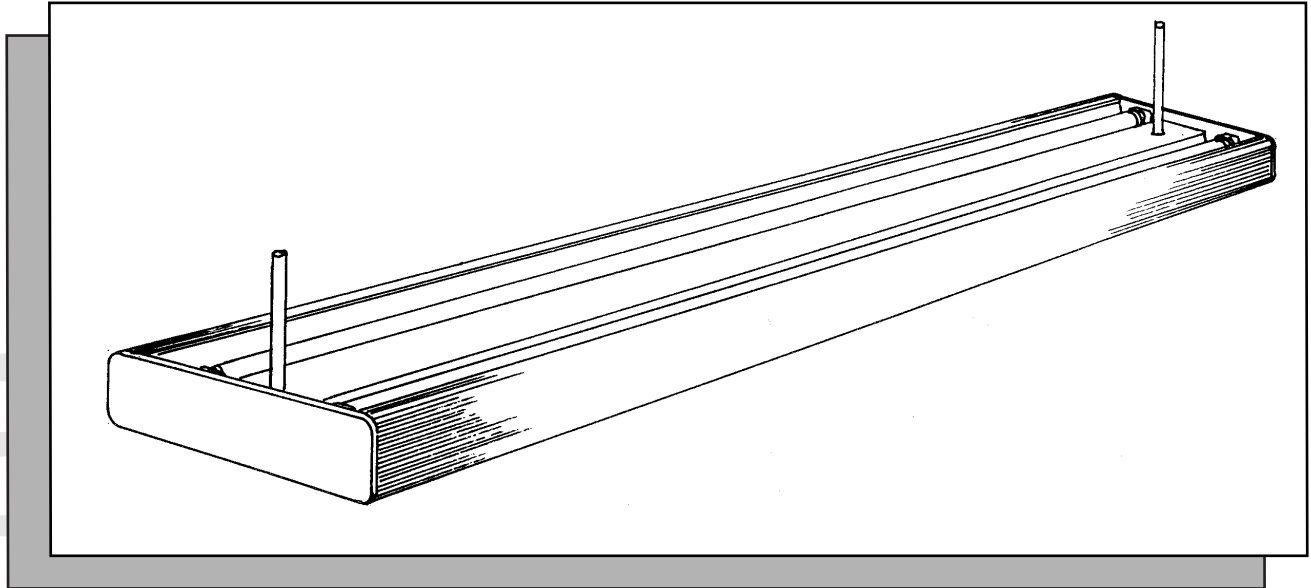
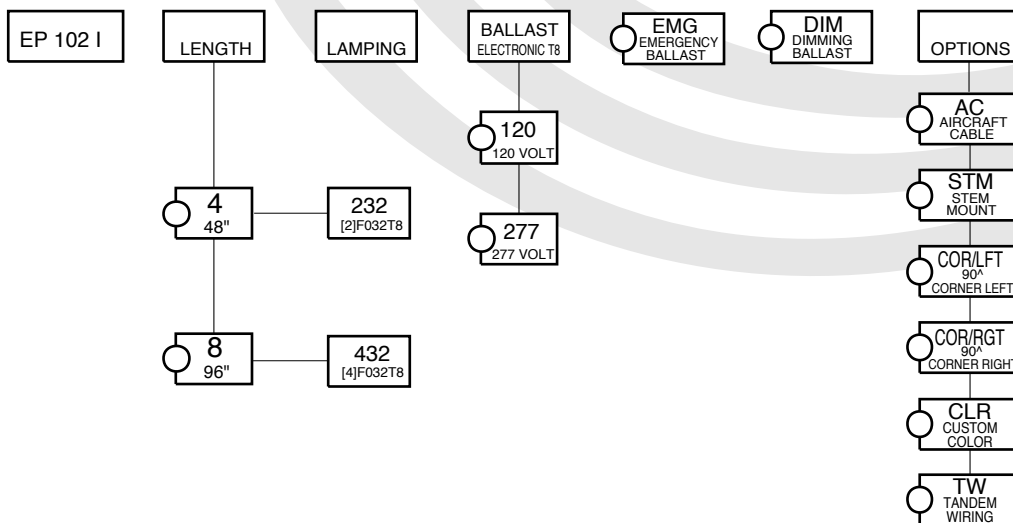


EP 102 I

EXTRUDED PENDANT INDIRECT



ORDERING DATA



Specifications

DESCRIPTION: Pendant mount indirect lighting. High efficiency, high visual comfort, and attractive appearance make it ideal for commercial office, VDT, retail and educational applications. Units can be mounted individually or in continuous rows.

HOUSING: Precision formed extruded aluminum. Ballast and wiring compartment are concealed yet easily accessible.

OPTICS: High efficiency full specular anodized aluminum reflector. Consult factory for options not listed.

BALLAST: Electronic T8, Class "P" CBM-ETL certified.

FINISH: All steel parts are treated with the HASCO "Perm-O-Last" multi-stage rust inhibitive process. Standard finish is a durable baked white enamel with a minimum reflectance of 90%. Consult factory for other colors and finishes. Fixture is post painted.

LABELING: All HASCO fixtures are U.L. approved and IBEW union made.

PHOTOMETRICS: EP 102 I SERIES 2-LIGHT COEFFICIENTS OF UTILIZATION, ZONAL CAVITY METHOD EFFECTIVE FLOOR CAVITY REFLECTANCE 0.20

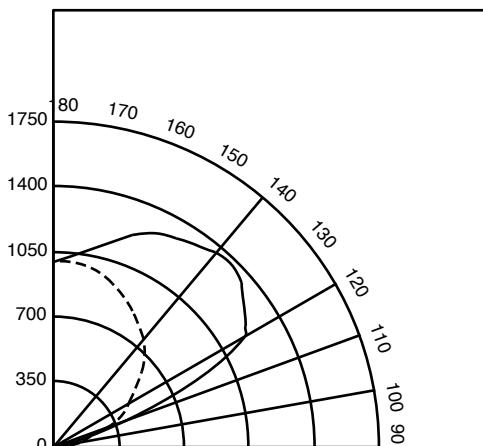
CEILING WALL	80			70			50				
	70	50	30	10	50	30	10	50	30	10	
RCR											
0	81	81	81	81	69	69	69	25	25	25	
1	72	69	64	62	62	60	54	22	21	21	
2	64	59	53	49	55	51	47	19	17	16	
3	58	51	44	41	50	44	41	17	15	14	
4	52	45	39	34	46	39	34	16	14	13	
5	48	39	33	28	42	34	29	13	11	10	
6	46	38	29	24	38	31	27	11	10	9	
7	41	31	26	21	35	29	21	11	10	8	
8	38	27	21	18	33	25	19	9	8	7	
9	34	26	20	18	30	22	17	8	7	6	
10	33	22	18	14	29	20	17	7	6	4	

Luminaire: Extruded Aluminum
Ballast: Valmont E232P1120G01
Lamping: [2] F032T8 @2900 lumens
Mounting: Surface

HASCO File #10786/ITL
Prepared by: P. Marshall
Catalog number: EP102I-232-120

Data subject to change
Please consult factory for
additional information.

ISO CURVE



CANDLE POWER SUMMARY

VERT ANGLE	0	45	90
90	0	0	0
100	142	93	89
110	285	571	521
120	461	1131	1161
130	611	1216	1339
135	684	1138	1358
140	741	1061	1308
150	847	1019	1304
160	916	995	1201
170	954	971	974
180	959	959	959

ZONAL LUMEN SUMMARY

ZONE	LUMENS	%LAMP	%FIXTURE
90-120	1556	25.2	31.7
90-130	2574	43.3	50.1
90-150	4097	71.6	82.3
90-180	4922	86.4	100.0
0-180	4922	86.4	100.0