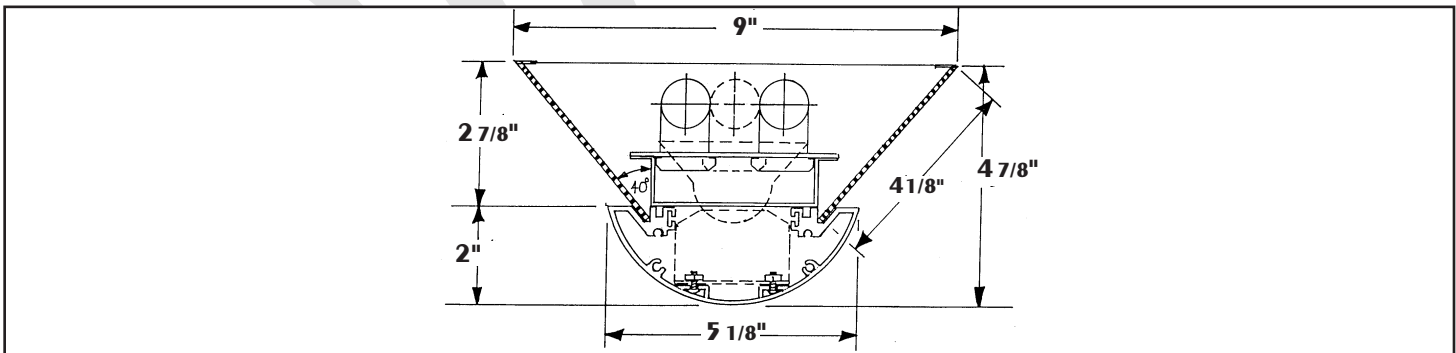
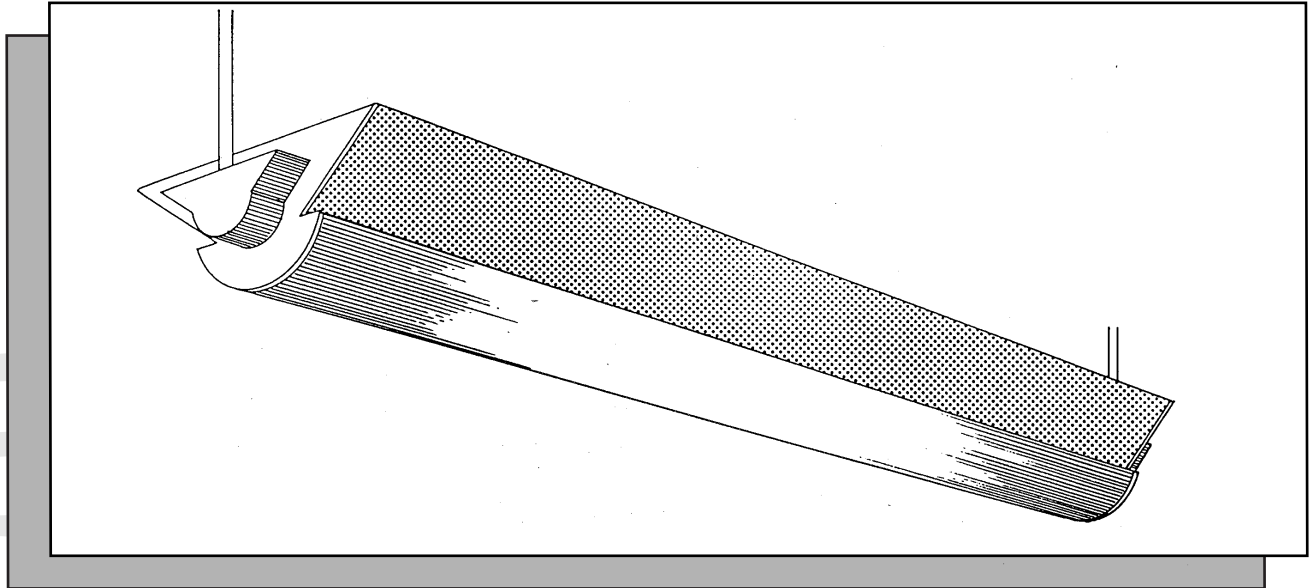
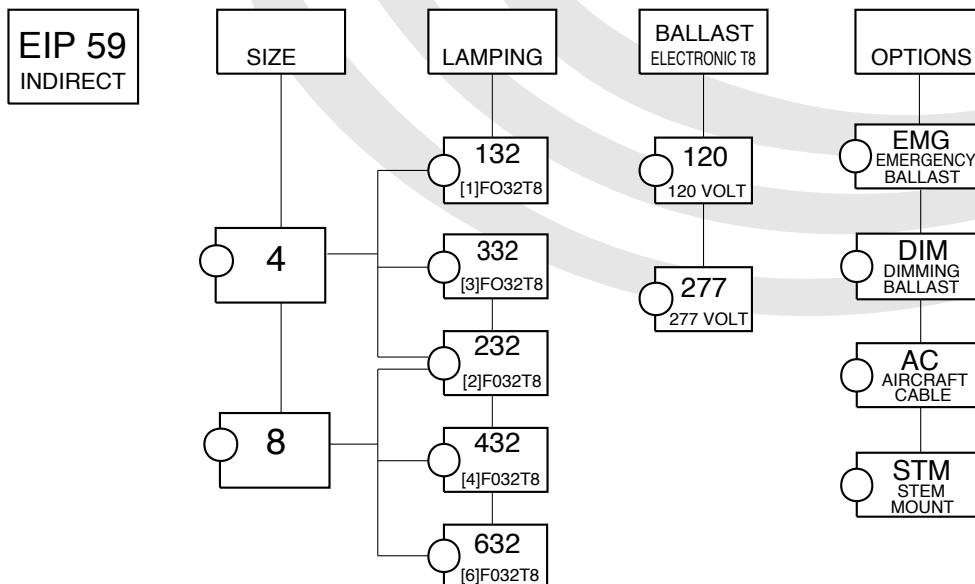


EIP 59 SERIES

EXTRUDED INDIRECT PERFORATED



ORDERING DATA



Specifications

DESCRIPTION: Pendant indirect, high efficiency, high visual comfort, and European appearance make it an attractive choice for high end retail, office, and institutional applications.

HOUSING: Extruded aluminum with perforated sides. The socket plates and ballast cover are easily accessible for servicing.

BALLAST: Electronic T8, Class "P", CBM-ETL certified. Consult factory for magnetic T12 ballast

FINISH: All steel parts are treated with the HASCO "Perm-O-Last" multi-stage rust inhibitive process. Standard finish is a durable baked white enamel with a minimum reflectance of 90%. Consult factory for other colors and finishes. Fixture is post painted.

LABELING: All HASCO fixtures are U.L. approved and IBEW union made.

PHOTOMETRICS: EIP 59

COEFFICIENTS OF UTILIZATION, ZONAL CAVITY METHOD
EFFECTIVE FLOOR CAVITY REFLECTANCE 0.20

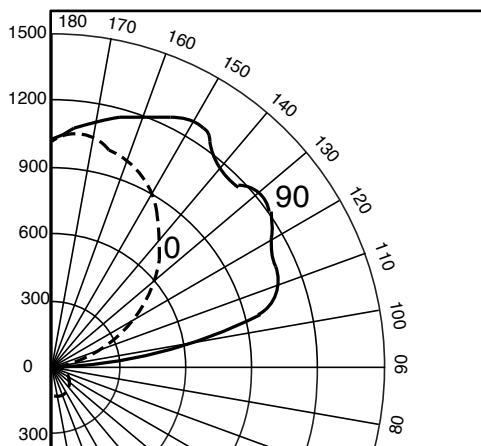
CEILING WALL RCR	80				50			30		
	70	50	30	10	50	30	10	50	30	10
0	81	81	81	81	47	47	47	29	29	29
1	74	71	68	65	43	41	40	26	26	25
2	67	62	57	53	38	35	33	23	22	21
3	61	53	48	41	35	30	28	20	19	19
4	56	48	42	37	29	26	20	19	16	15
5	51	42	36	31	23	20	17	16	13	13
6	46	38	31	27	21	17	15	14	12	11
7	43	34	27	20	21	17	15	13	11	9
8	40	30	24	20	19	16	13	12	10	8
9	37	27	22	18	17	14	11	11	9	7
10	34	25	19	15	15	12	10	9	7	6

Luminaire: Extruded Aluminum
Ballast: Valmont E232P1120G01
Lamping: [2] F032T8 @2900 lumens
Mounting: Pendant

HASCO File #101826/ITL
Prepared by: P. Marshall
Catalog number: EIP59-4-232-120-STM

Data subject to change
Please consult factory for
additional information.

ISO CURVE



CANDLE POWER SUMMARY

VERT ANGLE	0	45	90
0	97	97	97
10	93	97	96
20	84	96	92
30	71	86	82
40	54	72	70
45	45	56	64
50	36	43	58
60	23	29	46
70	12	18	35
80	3	11	23
90	1	15	20
100	72	178	668
110	262	646	912
120	454	895	1185
130	629	934	1205
135	715	1039	1189
140	803	1118	1211
150	886	1154	1233
160	998	1098	1260
170	1052	1064	1175
180	1069	1069	1069

ZONAL LUMEN SUMMARY

ZONE	LUMENS	%LAMP	%FIXTURE
0-30	75	1.3	1.5
0-40	121	2	2.4
0-60	203	3.4	4
0-90	263	4.4	5.2
90-120	1587	26.5	31.3
90-130	2423	40.4	47.7
90-150	3882	64.7	76.5
90-180	4812	80.2	94.8
0-180	5075	84.6	100