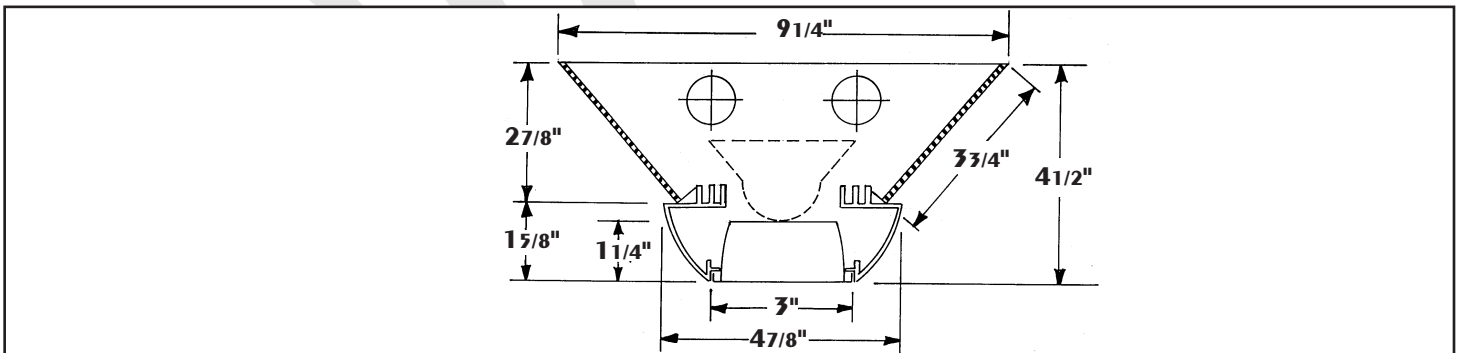
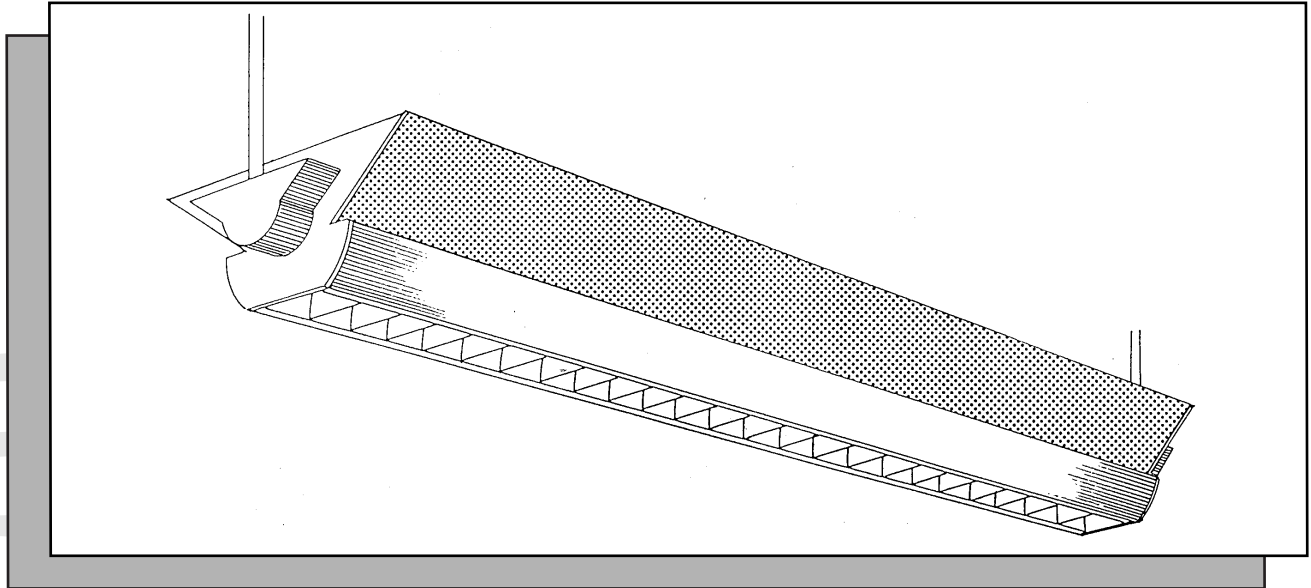
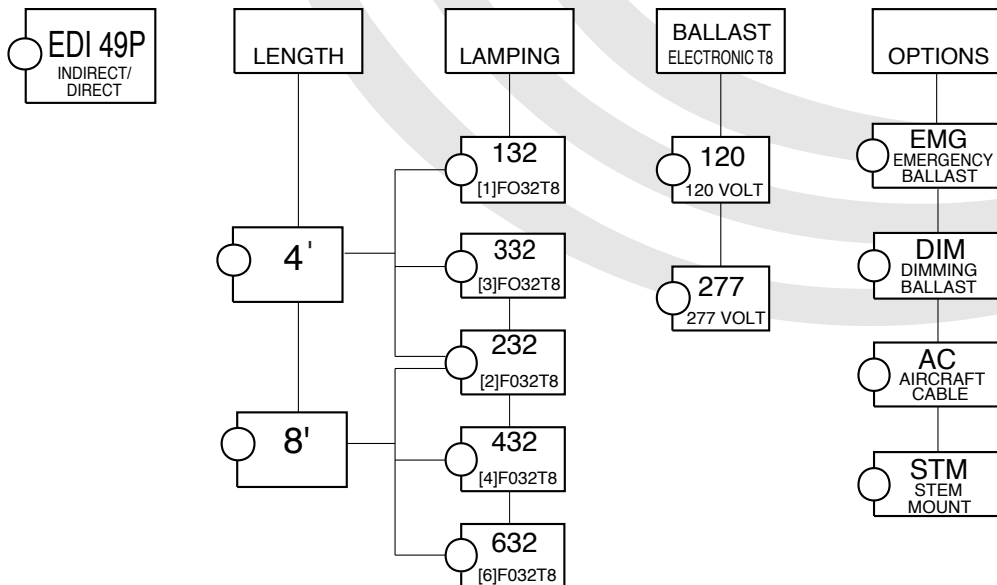


EDI 49P SERIES

EXTRUDED, DIRECT/INDIRECT, PERFORATED



ORDERING DATA



Specifications

DESCRIPTION: Pendant indirect/direct, high efficiency, high visual comfort, and European appearance make it an attractive choice for high style retail, office, and institutional applications.

HOUSING: Extruded aluminum with perforated sides. The socket plates and ballast cover are easily accessible for servicing.

BALLAST: Electronic T8, Class "P", CBM-ETL certified. Consult factory for magnetic T12 ballast

LOUVER: Semi-specular anodized aluminum parabolic louver. Downlight component of distribution is well shielded and provides a batwing distribution.

FINISH: All steel parts are treated with the HASCO "Perm-O-Last" multi-stage rust inhibitive process. Standard finish is a durable baked white enamel with a minimum reflectance of 90%. Consult factory for other colors and finishes. Fixture is post painted.

LABELING: All HASCO fixtures are U.L. approved and IBEW union made.

PHOTOMETRICS: EDI 49P

COEFFICIENTS OF UTILIZATION, ZONAL CAVITY METHOD
EFFECTIVE FLOOR CAVITY REFLECTANCE 0.20

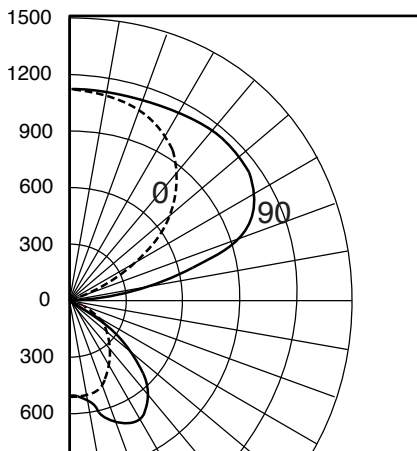
CEILING WALL RCR	80				50				30			
	70	50	30	10	50	30	10	50	30	10		
0	75	75	75	75	44	44	44	27	27	27		
1	72	70	67	64	42	40	39	24	25	23		
2	67	62	57	53	38	35	33	22	21	20		
3	60	52	47	40	34	29	27	20	19	19		
4	55	47	41	36	29	26	20	19	16	15		
5	51	41	35	30	23	20	17	15	12	12		
6	45	37	30	26	21	17	15	13	11	11		
7	42	33	26	21	21	17	15	13	11	9		
8	40	30	24	20	19	16	13	12	10	8		
9	37	27	22	18	17	14	11	11	9	7		
10	34	25	19	15	15	12	10	9	7	6		

Luminaire: Extruded Aluminum
Ballast: Valmont E232P1120601
Lamping: [2] F032T8 @2900 lumens
Mounting: Pendant

HASCO File #103826/ITL
Prepared by: P. Marshall
Catalog number: EDI49P-4-232-120-5TM

Data subject to change
Please consult factory for
additional information.

ISOCURVE



CANDLE POWER SUMMARY

VERT ANGLE	0	45	90
0	497	497	497
10	481	503	524
20	465	581	704
30	401	562	734
40	328	477	652
45	302	408	524
50	294	368	450
60	147	135	127
70	125	94	57
80	59	56	49
90	0	0	0
100	110	110	110
110	152	158	164
120	168	457	945
130	458	789	1157
135	774	964	1148
140	824	974	1143
150	854	977	1131
160	1043	1098	1122
170	1105	1109	1119
180	1129	1129	1129

ZONAL LUMEN SUMMARY

ZONE	LUMENS	%LAMP	%FIXTURE
0-30	509	14.1	13.4
0-40	819	23	23.1
0-60	1072	34.6	39.2
0-90	1166	34.9	44.8
90-120	1282	15.5	18.3
90-130	1825	23.0	28.9
90-150	2863	39.3	26.7
90-180	3473	43.1	58.4
0-180	5953	79.6	100