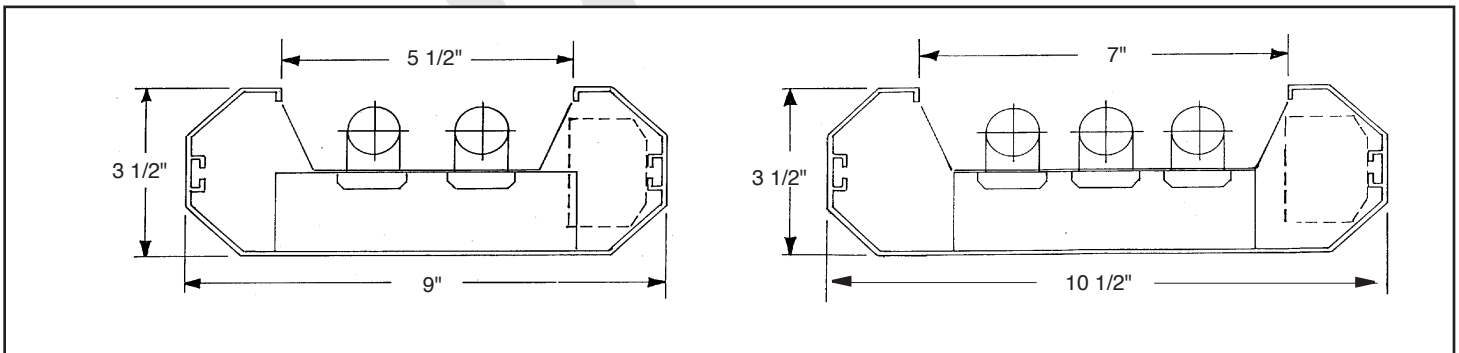
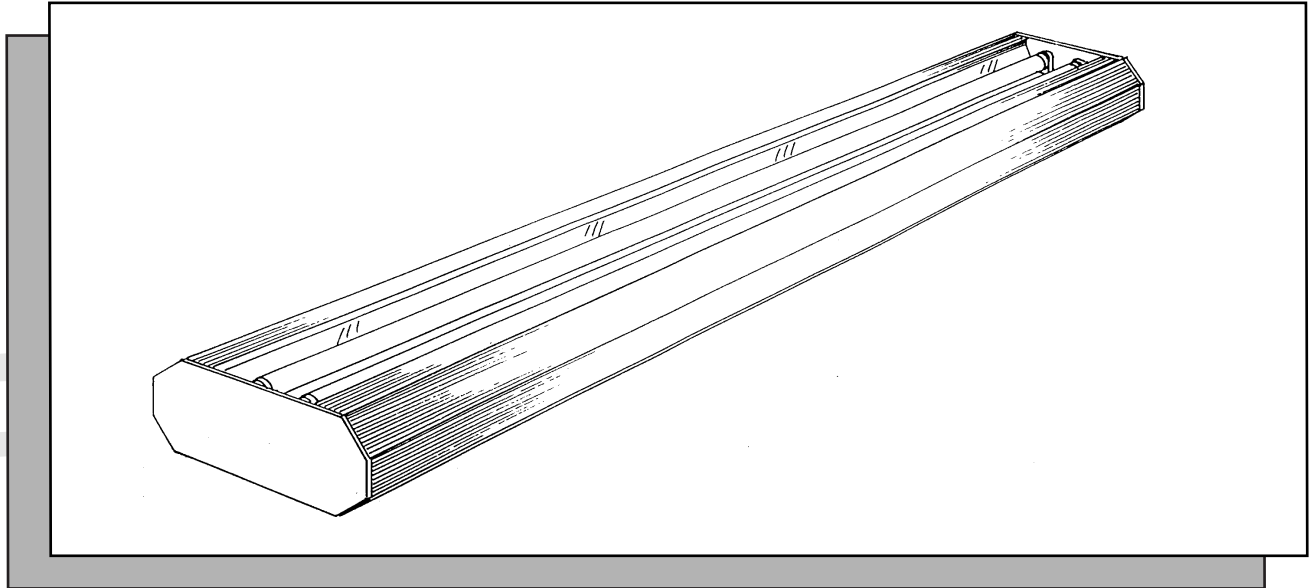
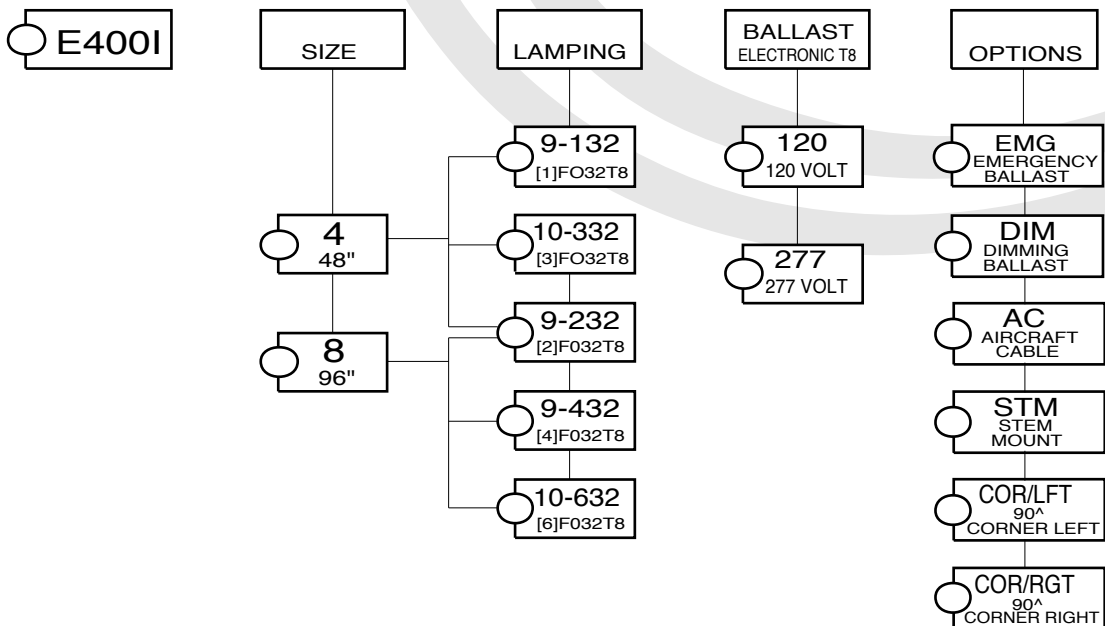


E 400 I SERIES EXTRUDED INDIRECT



ORDERING DATA



Specifications

DESCRIPTION: Pendant mount indirect lighting. High efficiency, high visual comfort, and attractive appearance make it ideal for commercial office, retail and educational applications. Units can be mounted individually or in continuous rows.

HOUSING: Precision formed extruded aluminum. Ballasts and sockets are easily accessible. All internal components formed from die formed crs and finished in baked white enamel.

OPTICS: Precision formed full specular reflector.

BALLAST: Electronic T8, Class "P" CBM-ETL certified.

FINISH: All steel parts are treated with the HASCO "Perm-O-Last" multi-stage rust inhibitive process. Standard finish is a durable baked white enamel with a minimum reflectance of 90%. Consult factory for other colors and finishes. Fixture is post painted.

LABELING: All HASCO fixtures are U.L. approved and IBEW union made.

PHOTOMETRICS: E 400 I SERIES

COEFFICIENTS OF UTILIZATION, ZONAL CAVITY METHOD

EFFECTIVE FLOOR CAVITY REFLECTANCE 0.20

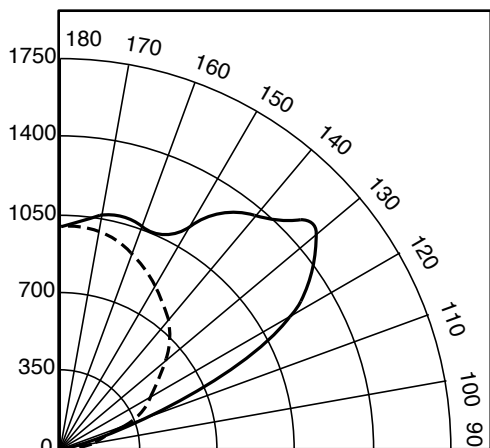
CEILING WALL RCR	80				70			50		
	70	50	30	10	50	30	10	50	30	10
0	81	81	81	81	69	69	69	25	25	25
1	72	69	64	62	62	60	54	22	21	21
2	64	59	53	49	55	51	47	19	17	16
3	58	51	44	41	50	44	41	17	15	14
4	52	45	39	34	46	39	34	16	14	13
5	48	39	33	28	42	34	29	13	11	10
6	46	38	29	24	38	31	27	11	10	9
7	41	31	26	21	35	29	21	11	10	8
8	38	27	21	18	33	25	19	9	8	7
9	34	26	20	18	30	22	17	8	7	6
10	33	22	18	14	29	20	17	7	6	4

Luminaire: Extruded Aluminum
Ballast: Valmont E232P1120601
Lamping: [2] F032T8 @2900 lumens
Mounting: PENDANT

HASCO File #1786/ITL
Prepared by: P. Marshall
Catalog number: E 400-9-232-120-STM

Data subject to change
Please consult factory for
additional information.

ISO CURVE



CANDLE POWER SUMMARY

VERT ANGLE	0	45	90
90	0	0	0
100	142	93	89
110	285	571	521
120	461	1131	1161
130	611	1216	1639
135	684	1138	1598
140	741	1061	1528
150	847	1019	1344
160	916	995	1171
170	954	971	1054
180	959	959	959

ZONAL LUMEN SUMMARY

ZONE	LUMENS	%LAMP	%FIXTURE
90-120	1556	27.2	31.7
90-130	2574	44.3	50.1
90-150	4097	71.6	82.3
90-180	4922	85.4	100.0
0-180	4922	85.4	100.0