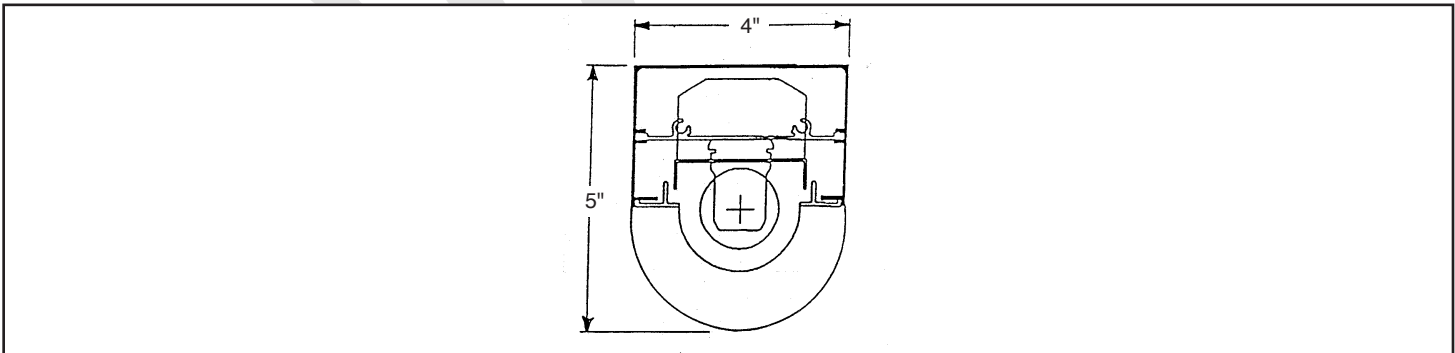
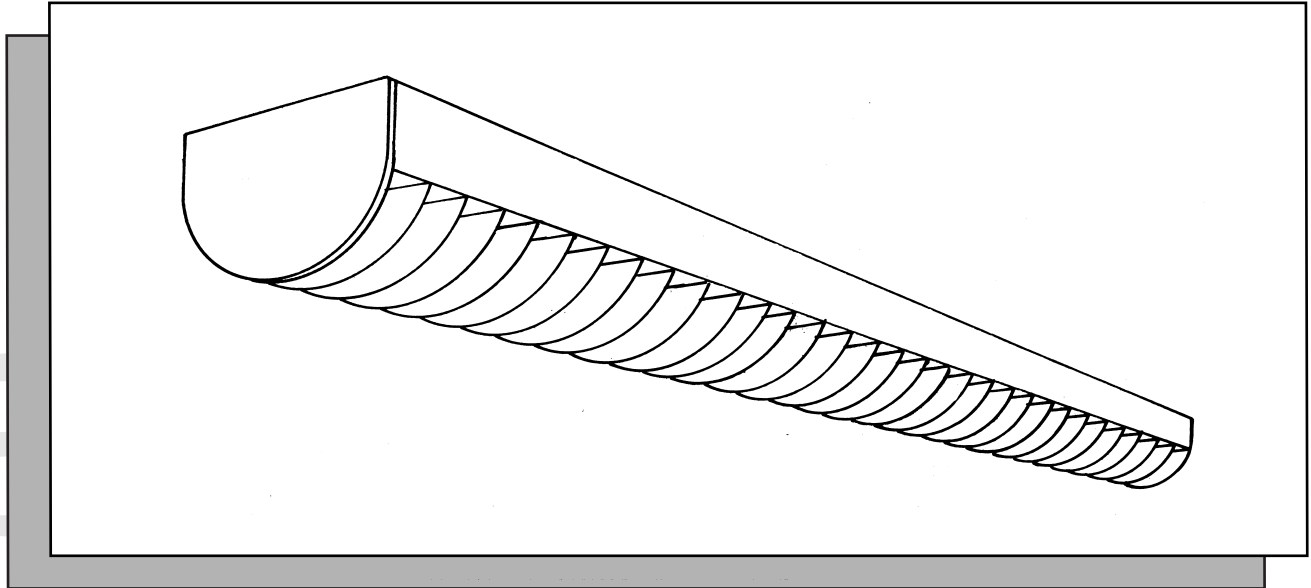
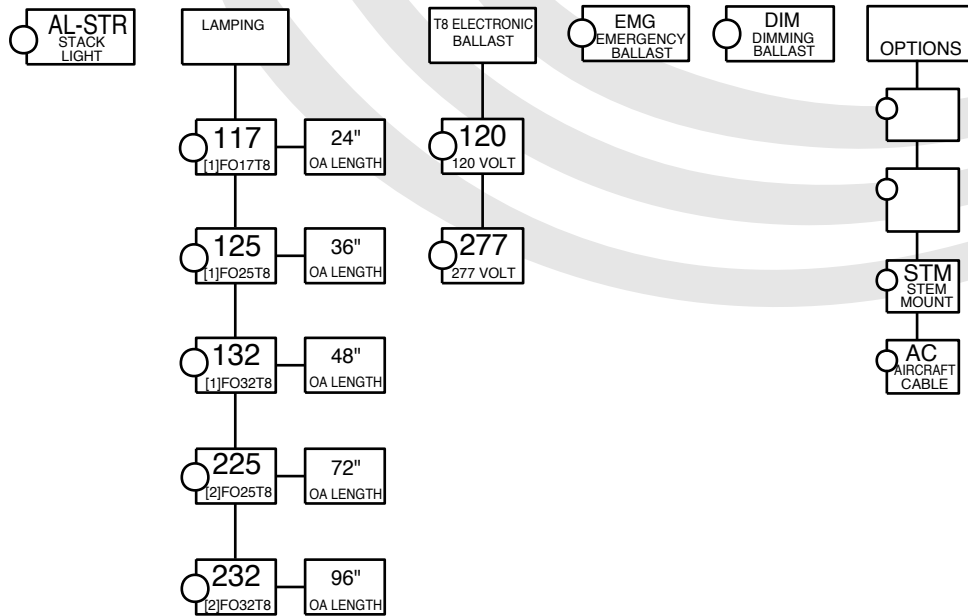


# AL (R) SERIES

## 1-Light Round Stacklighter



### ORDERING DATA



# Specifications

**DESCRIPTION:** Stack light fixture commonly used for aisles along or across library type stack shelving. Adequate illumination is provided for the top and bottom shelves without excessive glare. Radius blade for slim profile and distinctive look.

**HOUSING:** Extruded aluminum body with aluminum end plates. Internal parts die formed from 20 gauge cold rolled steel. Welded construction for rigidity. The socket plates and ballast cover are easily accessible for servicing.

**SHIELDING:** Matte white steel blades give good lengthwise cutoff when viewed from the aisle. Consult factory for other options.

**MOUNTING:** Surface, pendant, single or continuous row mounting. Adequate knock outs provided for all feeds.

**BALLAST:** Electronic TB, Class "P". CBM-ETL certified. Consult factory for magnetic T12 ballast

**FINISH:** All steel parts are treated with the HASCO "Perm-O-Last" multi-stage rust inhibitive process. Standard finish is a durable baked white enamel with a minimum reflectance of 90%. Consult factory for other colors and finishes. Fixture is post painted.

**LABELING:** All HASCO fixtures are U.L. approved and IBEW union made.

## PHOTOMETRICS: AL (R) SERIES 1-LIGHT ROUND STACKLIGHTER COEFFICIENTS OF UTILIZATION, ZONAL CAVITY METHOD EFFECTIVE FLOOR CAVITY REFLECTANCE 0.20

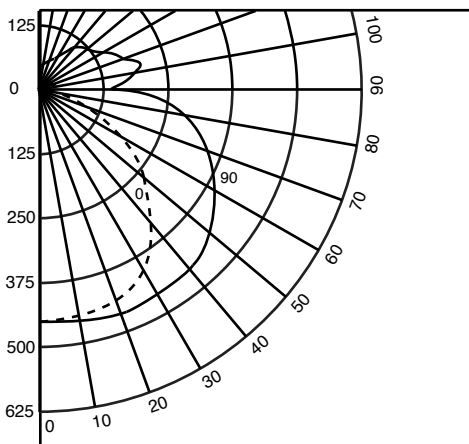
CEILING WALL	80				50			30		
	70	50	30	10	50	30	10	50	30	10
RCR										
0	61	61	61	61	57	57	57	54	54	54
1	57	51	49	43	51	49	48	50	49	48
2	53	49	46	44	46	44	43	45	43	42
3	49	44	41	38	42	40	37	41	39	37
4	45	40	36	32	38	35	33	36	34	32
5	42	36	32	29	35	31	29	30	27	25
6	39	33	29	26	32	28	26	27	25	23
7	36	30	26	23	29	25	20	27	25	23
8	34	27	23	20	26	22	18	25	22	20
9	31	25	21	19	24	20	18	23	20	18
10	29	22	19	16	21	18	16	21	18	16

**Luminaire: Extruded Aluminum**  
**Ballast: Valmont E132P1120601**  
**Lamping: [1] F032T8 @2900 lumens**  
**Mounting: Surface**

**HASCO File #111498/ITL**  
**Prepared by: P. Marshall**  
**Catalog number: AL-STR-132-120**

**Data subject to change**  
**Please consult factory for**  
**additional information.**

**ISO CURVE**



**CANDLE POWER SUMMARY**

VERT ANGLE	0	45	90
0	462	462	462
10	458	458	461
20	441	457	467
30	432	456	469
40	422	428	472
45	303	358	460
50	230	312	434
60	154	240	414
70	75	214	325
80	15	110	204
90	1	97	164
100	15	126	190
110	12	65	187
120	10	57	153
130	8	47	117
135	4	45	111
140	3	36	56
150	3	25	43
160	3	23	36
170	3	21	31
180	3	21	34

**ZONAL LUMEN SUMMARY**

ZONE	LUMENS	%LAMP	%FIXTURE
0-30	422	11.9	18.5
0-40	717	23.1	27.4
0-60	1356	51.1	49.6
0-90	2184	74.4	82.7