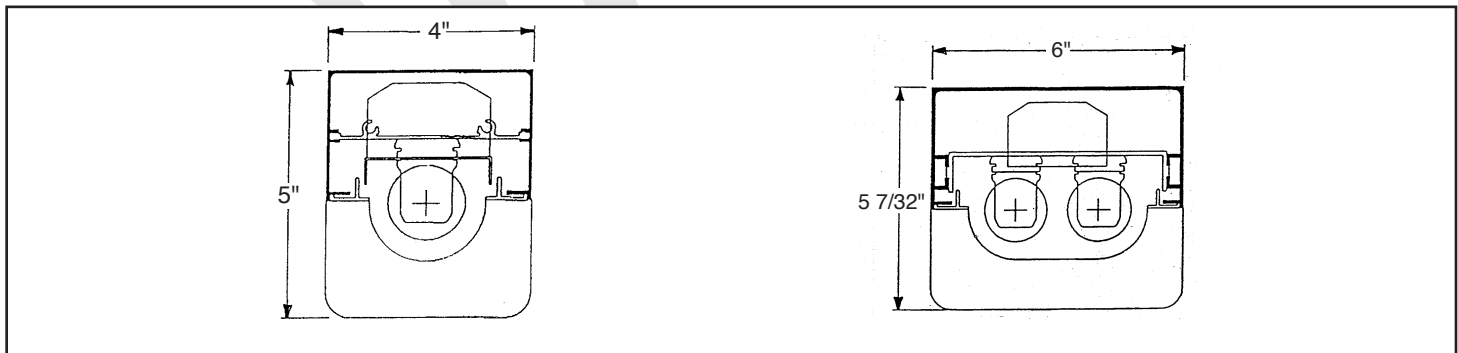
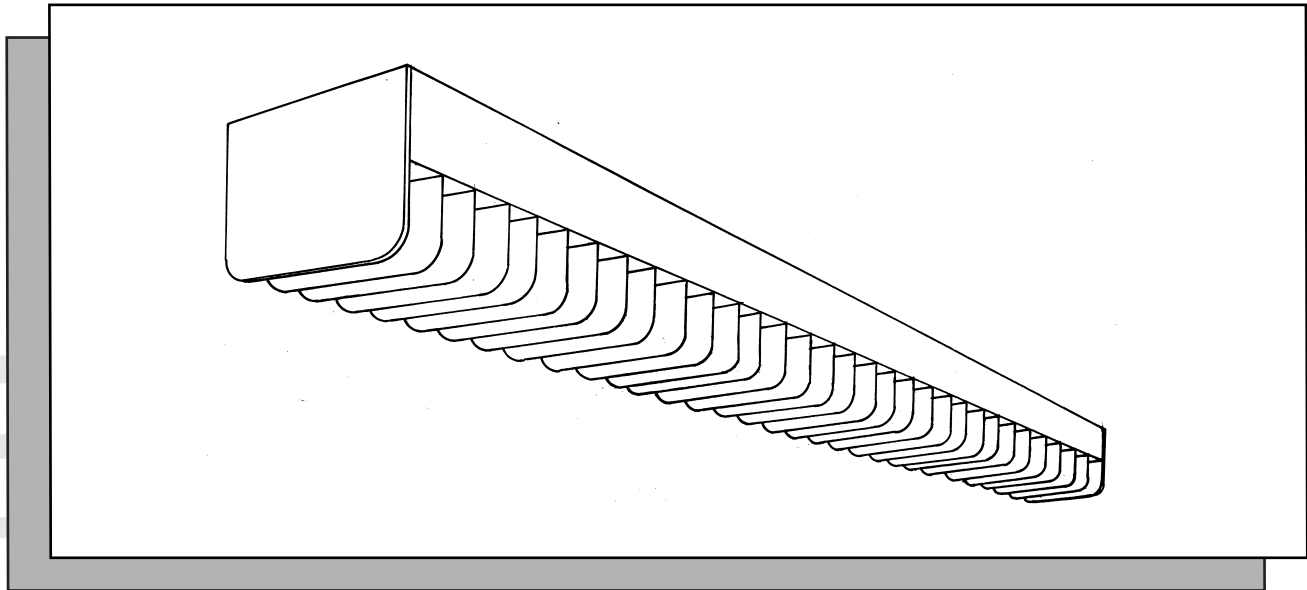
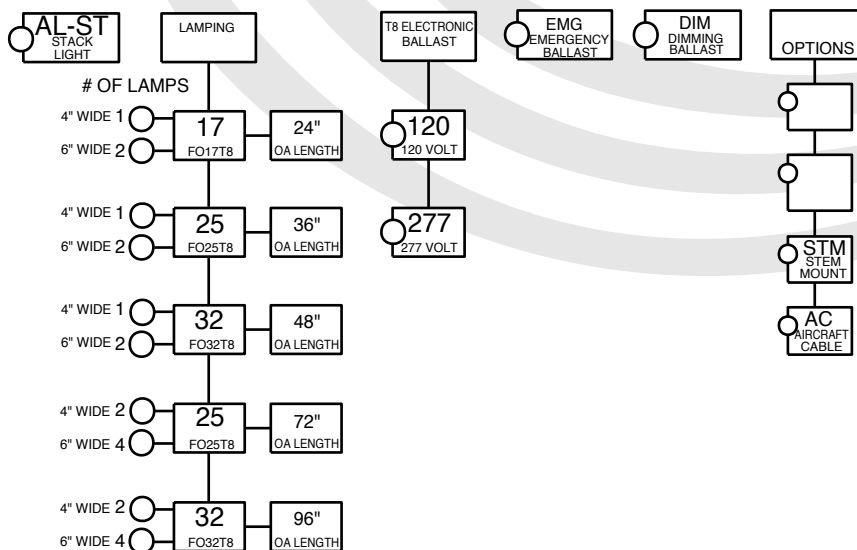


AL SERIES

1-Light / 2-Light Stacklighters



ORDERING DATA



Specifications

DESCRIPTION: Stack light fixture commonly used for aisles along or across library type stack shelving. Adequate illumination is provided for the top and bottom shelves without excessive glare.

HOUSING: Extruded aluminum body with aluminum end plates. Internal parts die formed from 20 gauge cold rolled steel. Welded construction for rigidity. The socket plates and ballast cover are easily accessible for servicing.

SHIELDING: Matte white steel blades give good lengthwise cutoff when viewed from the aisle. Consult factory for other options.

MOUNTING: Surface, pendant, single or continuous row mounting. Adequate knock outs provided for all feeds.

BALLAST: Electronic T8, Class "P", CBM-ETL certified. Consult factory for magnetic T12 ballast

FINISH: All steel parts are treated with the HASCO "Perm-O-Last" multi-stage rust inhibitive process. Standard finish is a durable baked white enamel with a minimum reflectance of 90%. Consult factory for other colors and finishes. Fixture is post painted.

LABELING: All HASCO fixtures are U.L. approved and IBEW union made.

PHOTOMETRICS: AL SERIES 1-LIGHT / 2-LIGHT STACKLIGHTERS

COEFFICIENTS OF UTILIZATION, ZONAL CAVITY METHOD

EFFECTIVE FLOOR CAVITY REFLECTANCE 0.20

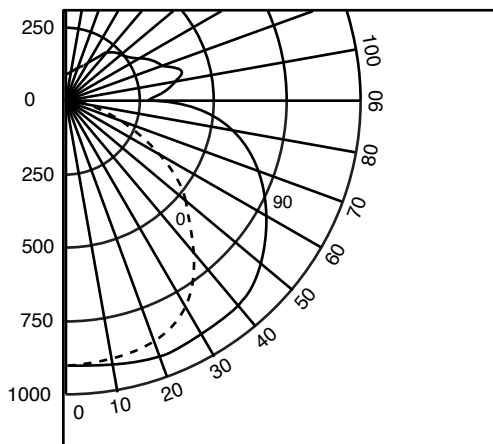
CEILING WALL RCR	80				50			30		
	70	50	30	10	50	30	10	50	30	10
0	83	83	83	83	71	71	71	63	63	63
1	75	68	63	59	58	55	51	51	47	46
2	63	59	49	45	46	41	37	40	36	32
3	57	46	38	31	38	33	26	35	32	29
4	50	49	29	23	31	24	19	28	24	20
5	43	31	26	19	24	28	22	23	21	18
6	39	26	21	17	23	20	18	21	19	14
7	33	27	22	16	19	18	17	16	16	13
8	29	27	21	15	16	15	14	13	13	10
9	35	25	17	14	13	13	13	11	10	9
10	32	22	16	11	11	11	11	8	8	6

Luminaire: Extruded Aluminum
Ballast: Valmont E232P1120G01
Lamping: [2] F032T8 @2900 lumens
Mounting: Surface

HASCO File #111498/ITL
Prepared by: P. Marshall
Catalog number: AL-ST-232-120

Data subject to change
Please consult factory for
additional information.

ISO CURVE



CANDLE POWER SUMMARY

VERT ANGLE	0	45	90
0	925	925	925
10	901	906	911
20	884	915	938
30	824	911	965
40	725	855	956
45	612	784	903
50	462	715	874
60	321	624	830
70	145	525	625
80	29	331	415
90	1	241	315
100	0	201	495
110	0	164	491
120	0	141	345
130	0	125	321
135	0	118	301
140	0	97	274
150	0	76	177
160	0	69	135
170	0	65	106
180	0	59	101

ZONAL LUMEN SUMMARY

ZONE	LUMENS	%LAMP	%FIXTURE
0-30	422	11.9	18.5
0-40	717	23.1	27.4
0-60	1356	51.1	49.6
0-90	2184	74.4	82.7