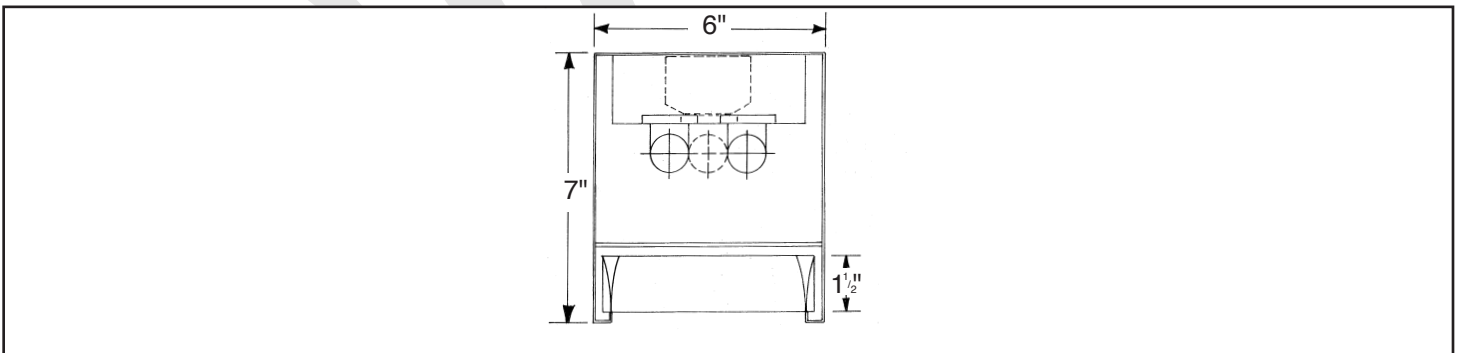
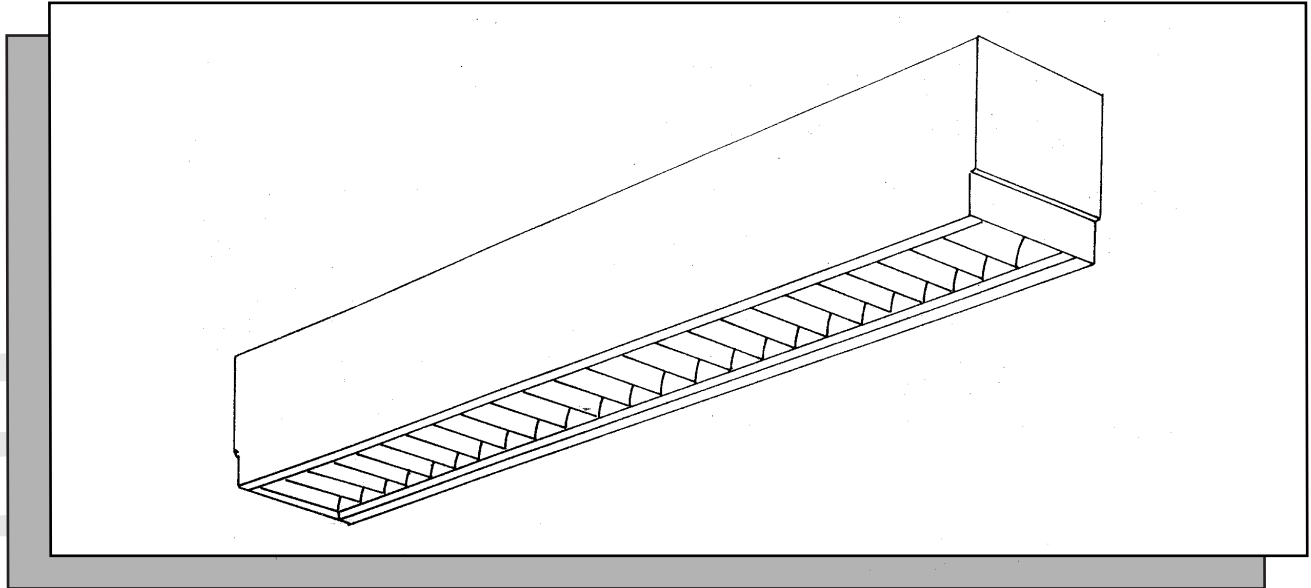
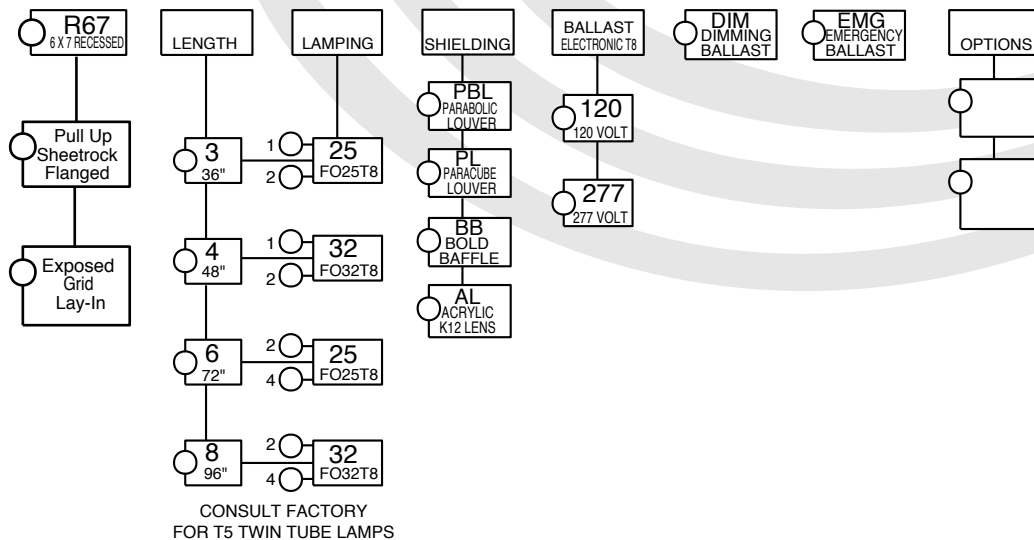


R 67P RECESSED PARABOLIC SERIES

CONCEALED GRID / EXPOSED GRID CEILING



ORDERING DATA



Specifications

DESCRIPTION: High efficiency, high visual comfort, and attractive appearance make it ideal for architectural spaces. Recessed mounting and narrow cross section give dimension to the ceiling and space. Fixture commonly used in high traffic commercial spaces such as transportation terminals, educational, and institutional areas.

HOUSING: Precision die formed 20 gauge cold rolled steel. Welded construction for rigidity. The socket plates and ballast cover are easily accessible for servicing.

SHIELDING: Choices of low glare, low iridescence, high efficiency semi specular parabolic louver, champagne gold, paracube louver, bold louver, or prismatic lens. Consult factory for options not listed.

BALLAST: Electronic T8 or Twin Tube 40w, Class "P", CBM-ETL certified. Consult factory for magnetic T12 ballast

FINISH: All steel parts are treated with the HASCO "Perm-O-Last" multi-stage rust inhibitive process. Standard finish is a durable baked white enamel with a minimum reflectance of 90%. Consult factory for other colors and finishes. Fixture is post painted.

LABELING: All HASCO fixtures are U.L. approved and IBEW union made.

PHOTOMETRICS: R 67P Lay-in/Parabolic COEFFICIENTS OF UTILIZATION, ZONAL CAVITY METHOD EFFECTIVE FLOOR CAVITY REFLECTANCE 0.20

MULTIPLIERS
L acrylic louver
1 lamp x1.10

PCB paracube louver
1 lamp x .66
2 lamp x .55

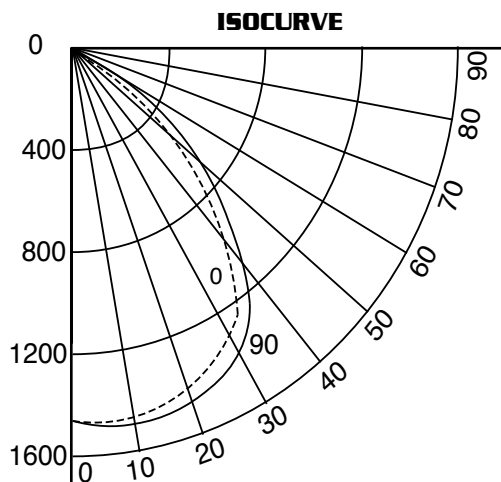
B bold louver
1 lamp .81
2 lamp .71

CEILING WALL	80			50			30			
	70	50	30	10	50	30	10	50	30	10
RCR										
0										
1	61	56	54	52	49	48	46	44	43	43
2	54	51	47	44	44	42	40	40	39	37
3	52	45	42	41	40	37	35	37	35	33
4	46	41	37	34	37	33	31	33	31	29
5	43	37	33	29	34	29	27	30	28	25
6	40	33	29	26	30	26	24	28	25	23
7	36	30	25	22	27	24	21	25	22	20
8	33	26	23	20	26	21	19	23	20	18
9	32	25	22	19	22	21	16	20	18	16
10	30	23	19	17	20	17	15	19	16	14

Luminaire: Formed Steel
Ballast: Valmont E232P1120G01
Lamping: [2] F32T8 @2900 lumens
Mounting: Recessed

HASCO File # 101865/ITL
Prepared by: P. Marshall
Catalog number: R67-PBL-4-232-120

Data subject to change
Please consult factory for additional information.



CANDLE POWER SUMMARY

VERT ANGLE	0	90
0	1450	1450
10	1502	1436
20	1495	1385
30	1456	1275
40	1050	1005
45	905	803
50	702	615
60	256	325
70	78	152
80	56	65
90	0	0

ZONAL LUMEN SUMMARY

ZONE	LUMENS	%LAMP	%FIXTURE
180-90	290	4.88	10.45
90-0	2456	42.5	89.20