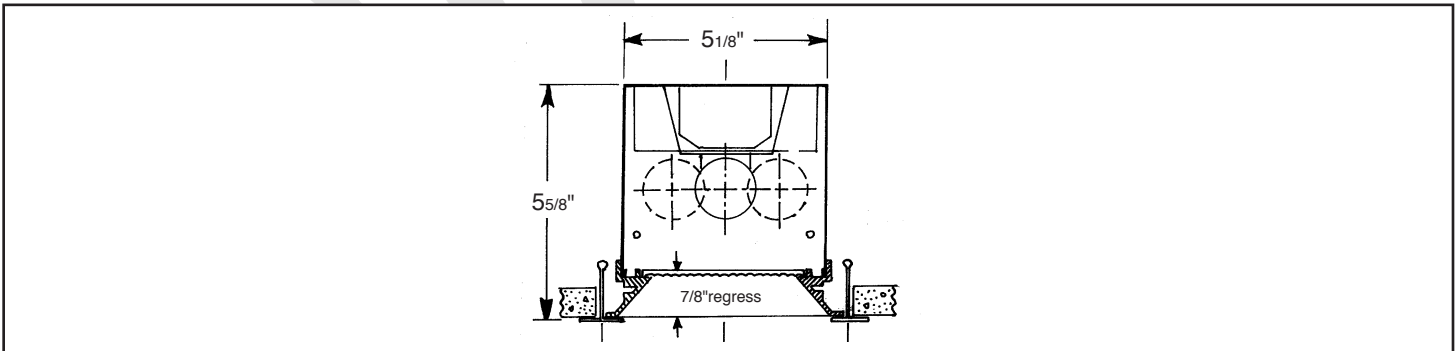
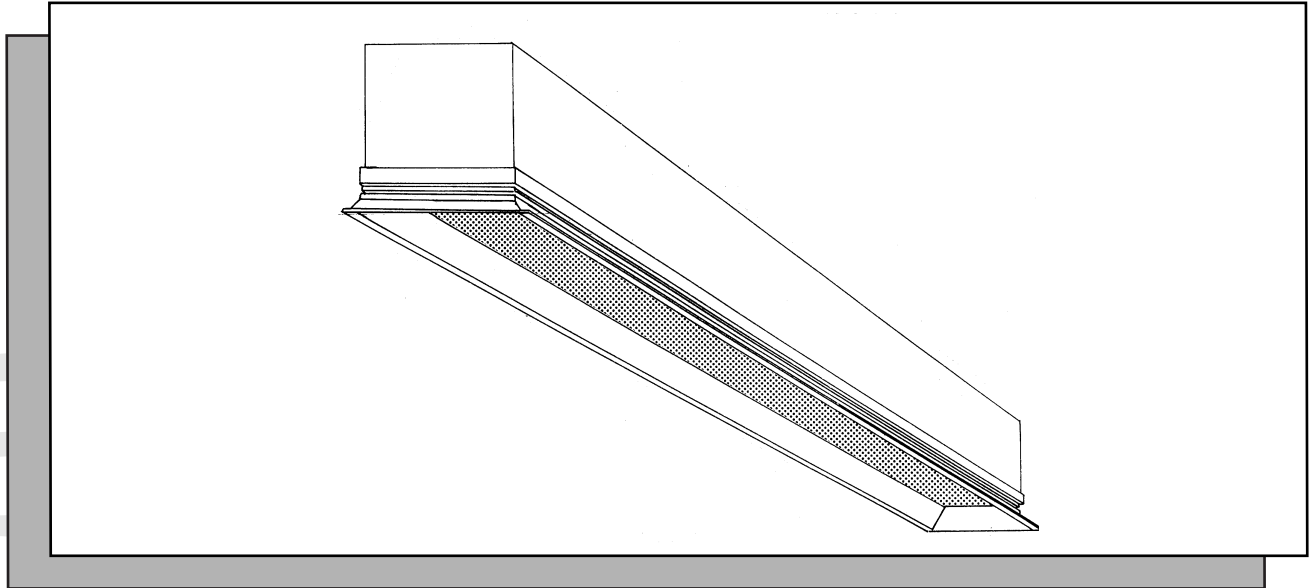
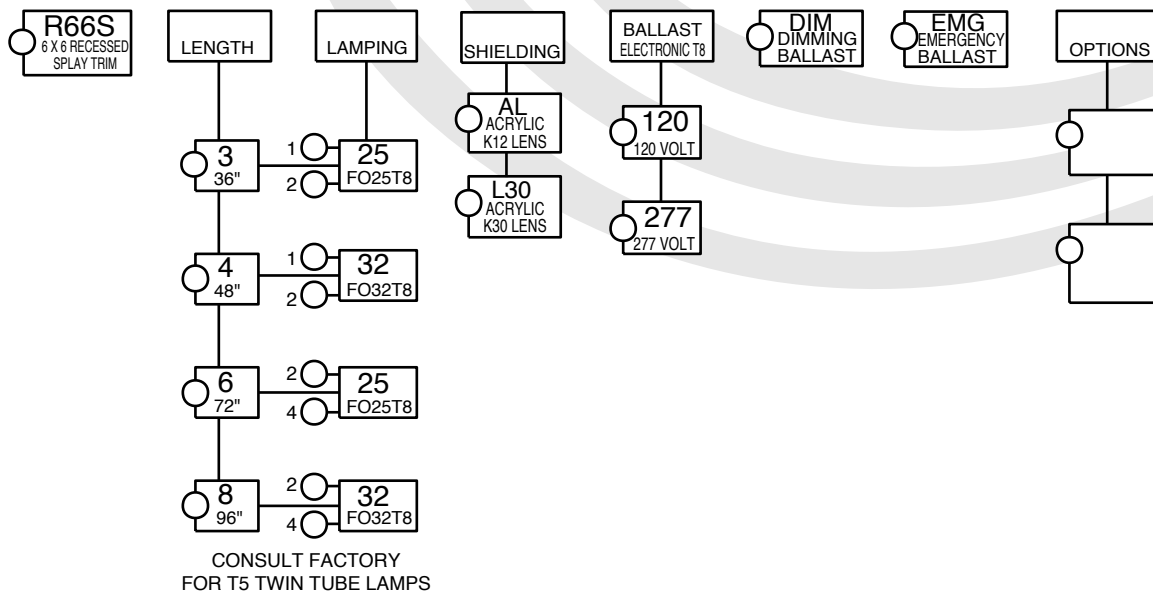


R 66S RECESSED/SPLAYED SERIES



ORDERING DATA



Specifications

DESCRIPTION: High efficiency, high visual comfort, and attractive appearance make it ideal for architectural spaces. Recessed mounting and narrow cross section give dimension to the ceiling and space. Fixture commonly used in high traffic commercial spaces such as transportation terminals, educational, and institutional areas.

HOUSING: Precision die formed 20 gauge cold rolled steel. Welded construction for rigidity. The socket plates and ballast cover are easily accessible for servicing.

SHIELDING: Choices of K12 OR K30 prismatic lens. Consult factory for options not listed.

BALLAST: Electronic T8 or Twin Tube 40w, Class "P", CBM-ETL certified. Consult factory for magnetic T12 ballast

FINISH: All steel parts are treated with the HASCO "Perm-O-Last" multi-stage rust inhibitive process. Standard finish is a durable baked white enamel with a minimum reflectance of 90%. Consult factory for other colors and finishes. Fixture is post painted.

LABELING: All HASCO fixtures are U.L. approved and IBEW union made.

PHOTOMETRICS: R 66S

COEFFICIENTS OF UTILIZATION, ZONAL CAVITY METHOD
EFFECTIVE FLOOR CAVITY REFLECTANCE 0.20

MULTIPLIERS
L acrylic louver
1 lamp x1.10

PCB paracube louver
1 lamp x .66
2 lamp x .55

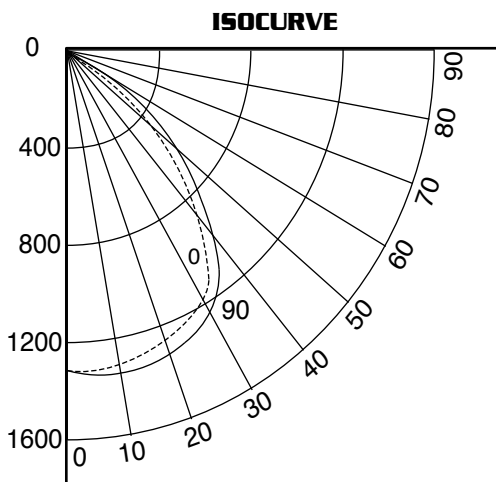
B bold louver
1 lamp .81
2 lamp .71

	80				50			30			
	70	50	30	10	50	30	10	50	30	10	
CEILING											
WALL											
RCR											
	0										
	1	58	52	51	48	47	45	44	43	42	41
	2	52	48	45	42	44	42	40	39	37	35
	3	50	43	40	37	39	36	34	35	34	32
	4	43	37	35	31	36	32	30	31	30	28
	5	41	35	31	27	33	27	25	29	27	24
	6	38	31	28	26	28	24	22	27	24	22
	7	35	28	23	20	26	23	20	24	21	21
	8	31	24	21	19	25	20	18	22	19	17
	9	30	23	21	18	21	20	15	19	17	15
	10	29	22	18	16	19	16	14	18	15	13

Luminaire: Formed Steel
Ballast: Valmont E232P1120G01
Lamping: [2] F32T8 @2900 lumens
Mounting: Recessed

HASCO File # 101765/ITL
Prepared by: P. Marshall
Catalog number: R66S-4-232-120

Data subject to change
Please consult factory for
additional information.



CANDLE POWER SUMMARY

VERT ANGLE	0	90
0	1305	1305
10	1351	1292
20	1345	1247
30	1310	1148
40	910	900
45	810	720
50	630	554
60	227	291
70	70	137
80	50	58
90	0	0

ZONAL LUMEN SUMMARY

ZONE	LUMENS	%LAMP	%FIXTURE
180-90	261	2.88	8.45
90-0	2210	52.5	79.20