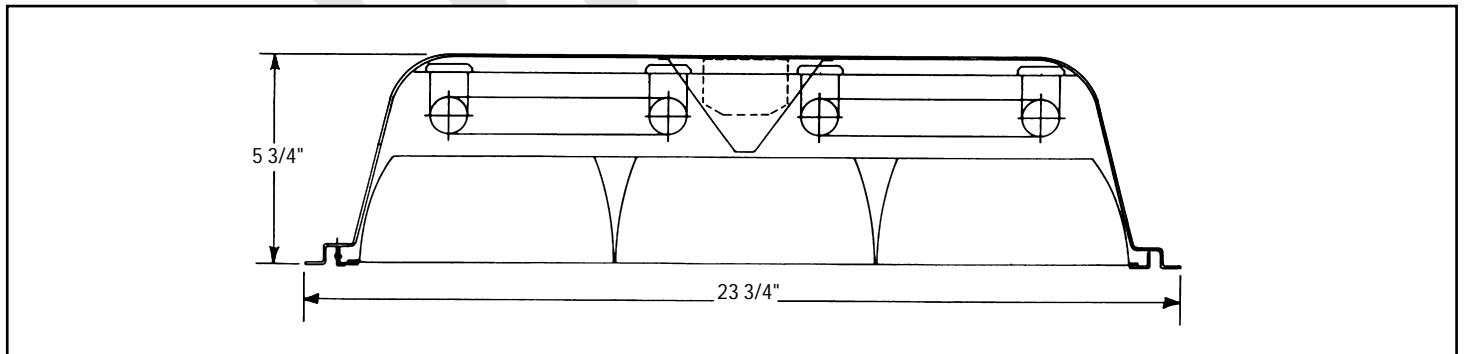
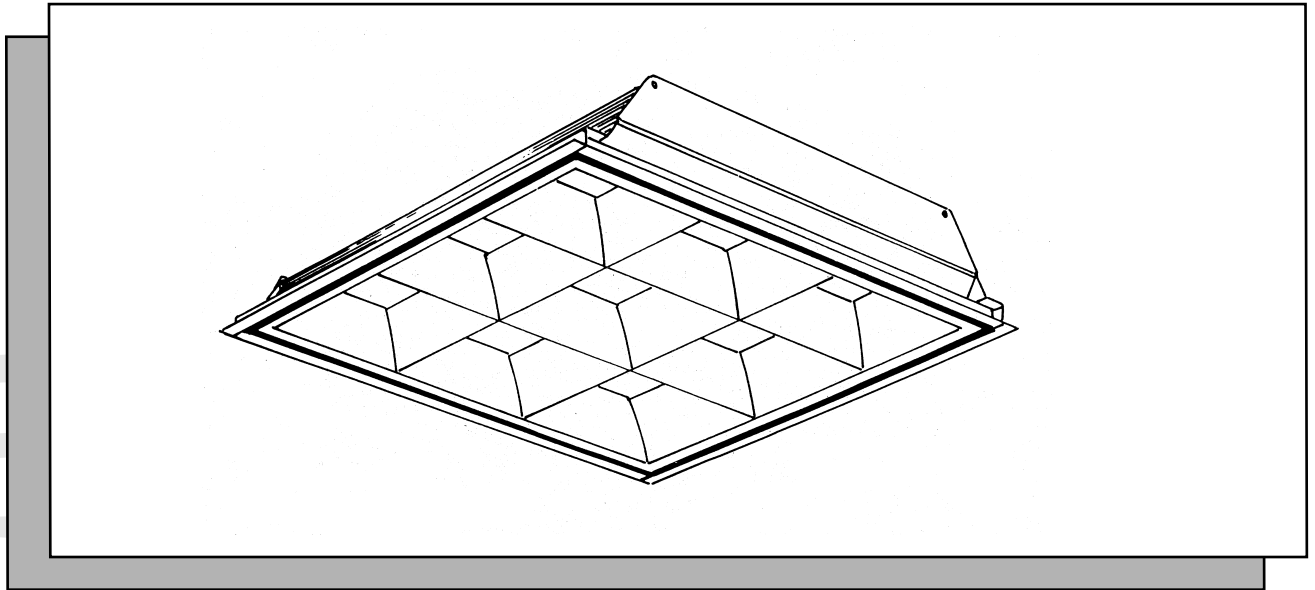
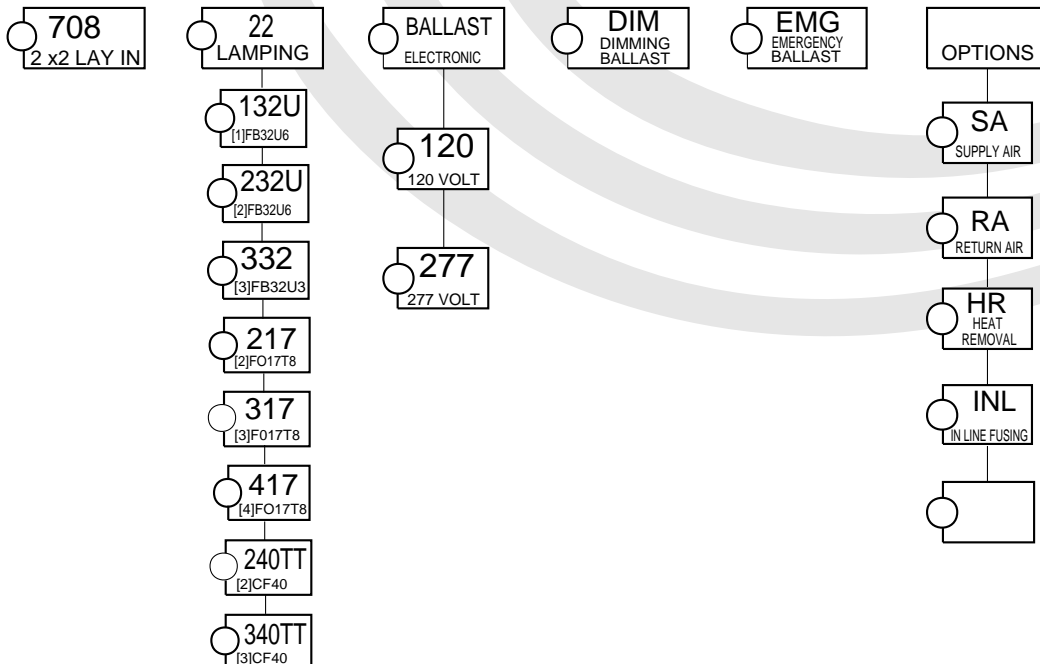


# 708 PARABOLIC Controlled Lighting Series

## 3" deep 9 Cell Parabolic Louver



### ORDERING DATA



# Specifications

**DESCRIPTION:** Lay in recessed high efficiency low-brightness recessed luminaire. Provides high visual comfort and performance by glare control with 30° optical cutoff. Ideal for office, educational and retail applications.

**HOUSING:** Fixture housing precision die formed from 20 Gauge cold rolled steel. Shielding assembly is supported by concealed hinges and snap action latches. Door assembly opens from either side.

**LOUVER:** Parabolic louver is low iridescence, semi-specular aluminum. White, full specular, or gold specular is optional. Consult factory for options not listed.

**BALLAST:** Electronic TB, Class "P", CBM-ETL certified. Consult factory for magnetic T12 ballast

**LABELS:** IBEW Union Made. Listed by Underwriters Laboratories as suitable for dry location and air handling use (return air only)

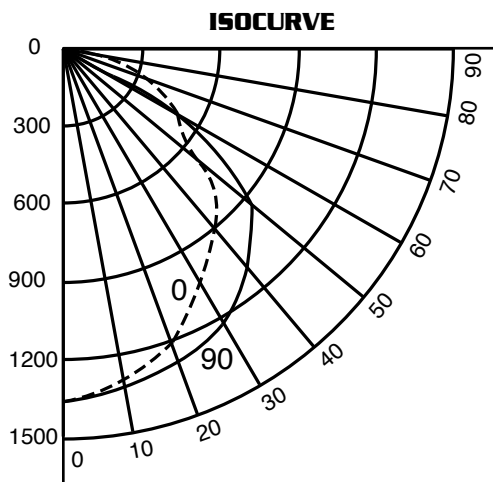
## PHOTOMETRICS: 708 PARABOLIC 3" DEEP 9 CELL PARABOLIC LOUVER COEFFICIENTS OF UTILIZATION, ZONAL CAVITY METHOD EFFECTIVE FLOOR CAVITY REFLECTANCE 0.20

CEILING WALL	80			70			50			10			0
RCR	70	50	30	70	50	30	50	30	10	50	30	10	0
0													0
1	62	60	58	60	58	57	60	58	57	40	47	45	65
2	58	54	51	56	53	51	56	53	51	44	41	38	58
3	54	49	46	52	48	45	52	48	45	39	33	30	51
4	50	44	40	48	44	40	48	44	40	34	30	27	45
5	46	40	36	45	39	35	45	39	35	20	26	23	39
6	42	36	32	41	35	31	41	35	31	26	22	19	34
7	39	32	28	38	32	28	38	32	28	23	19	15	30
8	36	29	25	35	29	24	35	29	24	19	15	12	26
9	33	26	22	32	26	21	32	26	21	17	13	10	22
10	31	24	19	30	23	19	30	23	19	15	15	14	20

**Luminaire: Formed Steel, parabolic louver**  
**Ballast: Valmont E232PI120601**  
**Lamping: [2] FB32T8U @2950 lumens**  
**Mounting: Recessed**

**HASCO File #708332522**  
**Prepared by: P. Marshall**  
**Catalog number: 708-22-231U**

**Data subject to change**  
**Please consult factory for additional information.**



### CANDLE POWER SUMMARY

VERT ANGLE	0	45	90
0	1343	1343	1343
10	1294	1303	1339
20	1200	1226	1307
30	1077	1134	1260
40	1002	1005	1118
45	825	902	1103
50	721	812	964
60	471	423	225
70	59	30	20
80	5	6	3
90	0	0	0

### ZONAL LUMEN SUMMARY

ZONE	LUMENS	%LAMP	%FIXTURE
0-30	1046	19.20	33.05
0-40	1732	31.66	54.68
0-60	3028	58.91	92.20
0-90	3182	57.23	100
0-180	3182	57.23	100

# Specifications

**DESCRIPTION:** Lay in recessed high efficiency low-brightness recessed luminaire. Provides high visual comfort and performance by glare control with 30° optical cutoff. Ideal for office, educational and retail applications.

**HOUSING:** Fixture housing precision die formed from 20 Gauge cold rolled steel. Shielding assembly is supported by concealed hinges and snap action latches. Door assembly opens from either side.

**LOUVER:** Parabolic louver is low iridescence, semi-specular aluminum. White, full specular, or gold specular is optional. Consult factory for options not listed.

**BALLAST:** Electronic T8, Class "P", CBM-ETL certified. Consult factory for magnetic T12 ballast

**LABELS:** IBEW Union Made. Listed by Underwriters Laboratories as suitable for dry location and air handling use [return air only]

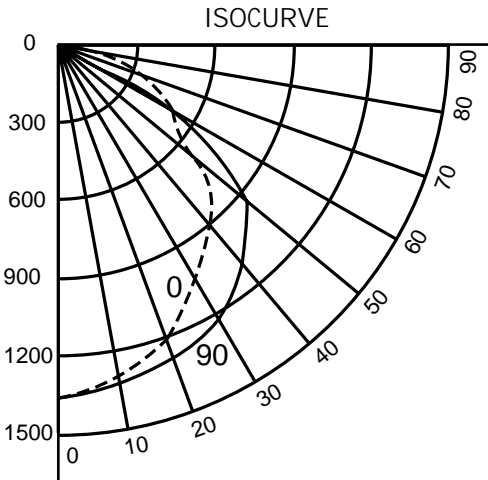
## PHOTOMETRICS: 708 PARABOLIC 3" Deep 9 Cell Parabolic Louver COEFFICIENTS OF UTILIZATION, ZONAL CAVITY METHOD EFFECTIVE FLOOR CAVITY REFLECTANCE 0.20

CEILING	80			70			50			10			0
WALL	70	50	30	70	50	30	50	30	10	50	30	10	0
RCR													
0													
1	62	60	58	60	58	57	60	58	57	40	47	45	65
2	58	54	51	56	53	51	56	53	51	44	41	38	58
3	54	49	46	52	48	45	52	48	45	39	33	30	51
4	50	44	40	48	44	40	48	44	40	34	30	27	45
5	46	40	36	45	39	35	45	39	35	20	26	23	39
6	42	36	32	41	35	31	41	35	31	26	22	19	34
7	39	32	28	38	32	28	38	32	28	23	19	15	30
8	36	29	25	35	29	24	35	29	24	19	15	12	26
9	33	26	22	32	26	21	32	26	21	17	13	10	22
10	31	24	19	30	23	19	30	23	19	15	15	14	20

Luminaire: Formed Steel, parabolic louver  
Ballast: Valmont E232PI120G01  
Lamping: [2] FB32T8U @2950 lumens  
Mounting: Recessed

HASCO File #708332522  
Prepared by: P. Marshall  
Catalog number: 708-22-231U

Data subject to change  
Please consult factory for  
additional information.



### CANDLE POWER SUMMARY

VERT ANGLE	0	45	90
0	1343	1343	1343
10	1294	1303	1339
20	1200	1226	1307
30	1077	1134	1260
40	1002	1005	1118
45	825	902	1103
50	721	812	964
60	471	423	225
70	59	30	20
80	5	6	3
90	0	0	0

### ZONAL LUMEN SUMMARY

ZONE	LUMENS	%LAMP	%FIXTURE
0-30	1046	19.20	33.05
0-40	1732	31.66	54.68
0-60	3028	58.91	92.20
0-90	3182	57.23	100
0-180	3182	57.23	100