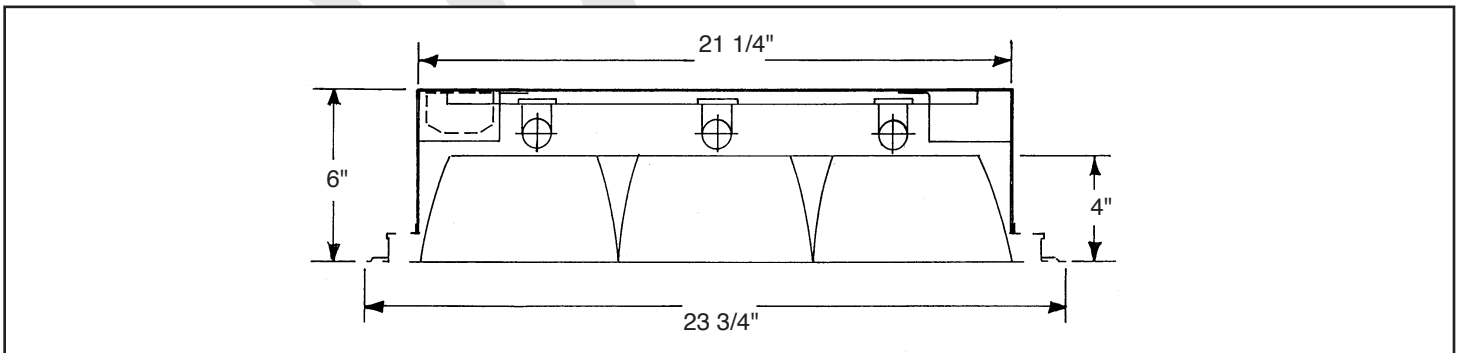
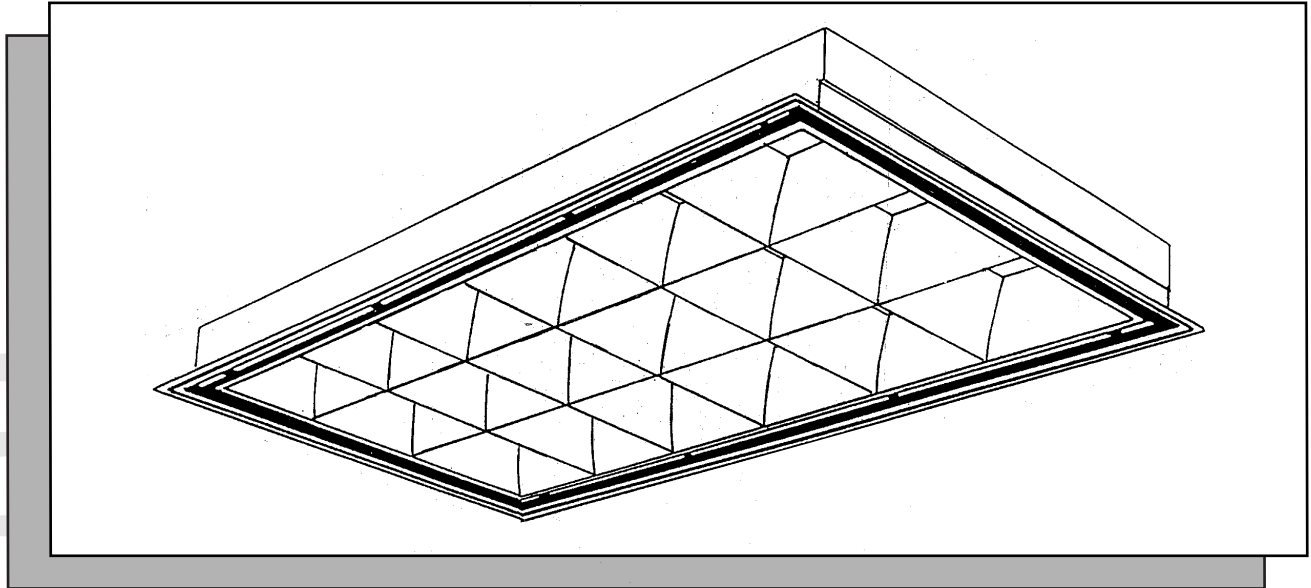
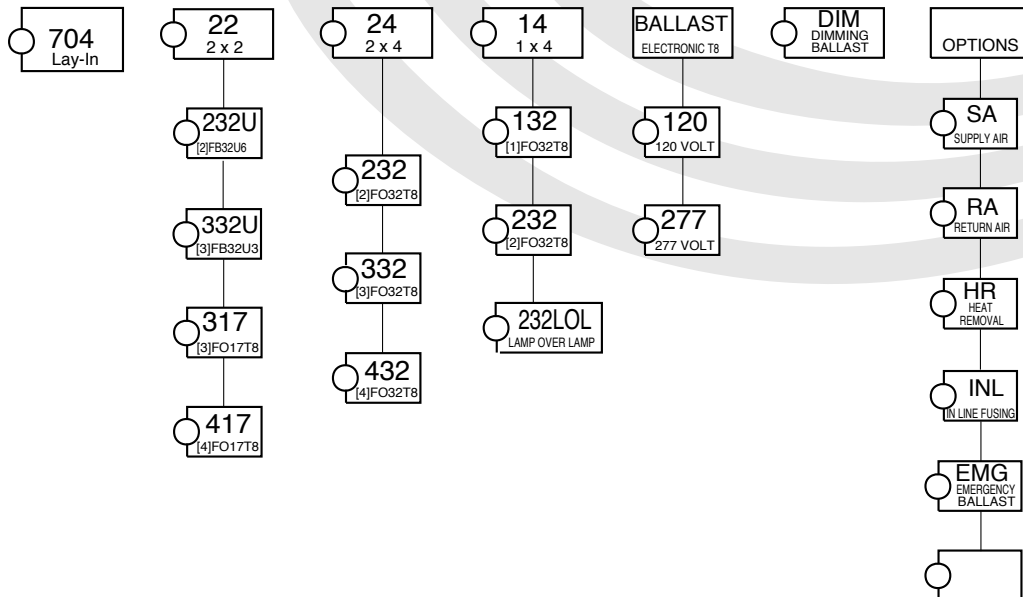


704 PARABOLIC

RECESSED 4" DEEP 18 CELL PARABOLIC



ORDERING DATA



Specifications

DESCRIPTION: Flanged recessed high efficiency low-brightness recessed luminaire. Typically used for drywall, plaster, concealed Z spline, or any ceiling with access only from below. High visual comfort and performance is achieved by glare control with 30° optical cutoff. Ideal for office, educational and retail applications.

CONSTRUCTION: Fixture housing precision die formed from 20 Gauge cold rolled steel. Shielding assembly is supported by concealed hinges and snap action latches. Door assembly opens from either side.

LOUVER: Parabolic louver is low iridescence, semi-specular aluminum. White, full specular, or gold specular is optional. Consult factory for options not listed.

FINISH: All steel parts are treated with the HASCO "Perm-O-Last" multi-stage rust inhibitive process. Standard finish is a durable baked white enamel with a minimum reflectance of 90%. Consult factory for other colors and finishes. Fixture is post painted.

BALLAST: Electronic T8, Class "P", CBM-ETL certified. Consult factory for magnetic T12 ballast

LABELS: IBEW Union Made. Listed by Underwriters Laboratories as suitable for dry location and air handling use [return air only]

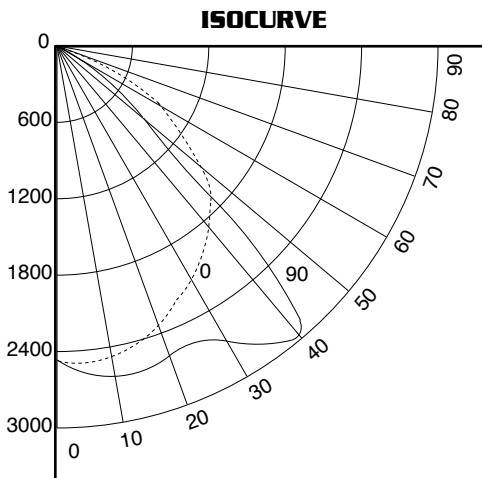
PHOTOMETRICS: 704 PARABOLIC COEFFICIENTS OF UTILIZATION, ZONAL CAVITY METHOD EFFECTIVE FLOOR CAVITY REFLECTANCE 0.20

CEILING WALL	80			70			50			10			0
RCR	70	50	30	70	50	30	50	30	10	50	30	10	0
0													0
1	81	78	76	79	77	75	74	72	71	50	57	55	65
2	75	71	67	74	70	66	67	64	62	54	51	48	58
3	70	64	59	68	63	59	61	57	54	49	43	40	51
4	65	58	52	58	51	46	55	51	48	44	40	37	45
5	60	52	46	54	46	41	49	45	41	40	36	33	39
6	55	47	41	50	41	36	45	40	36	36	32	29	34
7	51	42	36	50	41	36	40	35	32	33	29	25	30
8	47	38	32	46	37	32	36	31	28	29	25	22	26
9	43	34	28	42	33	28	32	27	24	27	23	20	22
10	40	31	25	39	30	25	29	24	21	25	25	24	20

Luminaire: Formed Steel, Parabolic Louver
Ballast: Valmont E332P1120601
Lamping: [3] F032T8 @2950 lumens
Mounting: Recessed

HASCO File #708333522
Prepared by: P. Marshall
Catalog number:704-24-332

Data subject to change
Please consult factory for
additional information.



CANDLE POWER SUMMARY

VERT ANGLE	0	45	90
0	2641	2641	2641
10	2540	2541	2604
20	2300	2515	2651
30	2165	2451	2750
40	1874	2455	3005
45	1700	2641	1741
50	1504	1954	930
60	994	528	354
70	74	31	8
80	4	5	2
90	0	0	0

ZONAL LUMEN SUMMARY

ZONE	LUMENS	%LAMP	%FIXTURE
0-30	2088	24.20	33.05
0-40	3590	41.66	56.05
0-60	5985	68.91	93.20
0-90	6304	72.21	100
0-180	6304	72.21	100