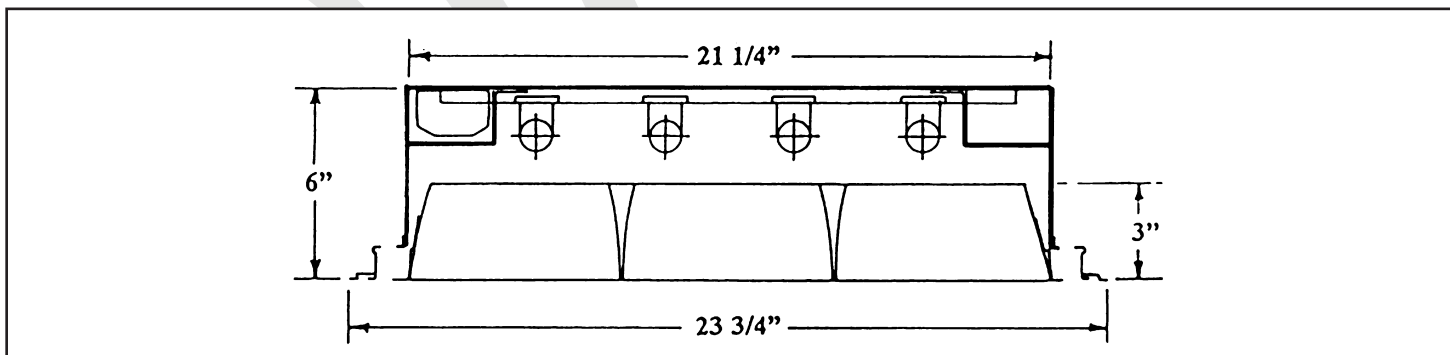
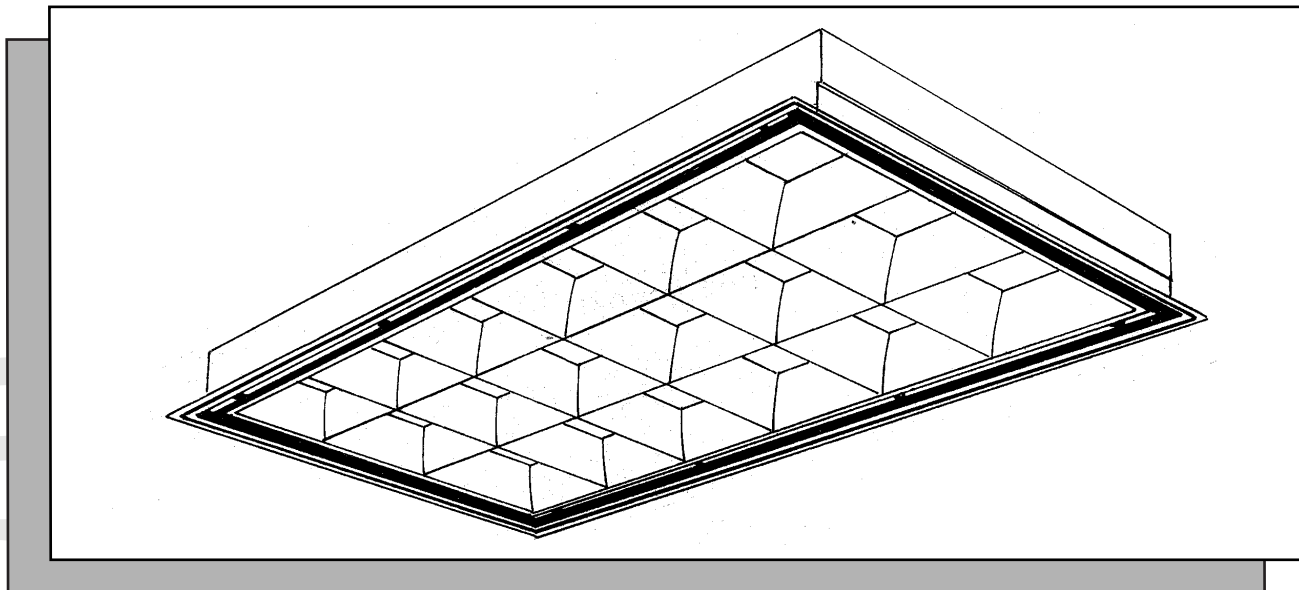
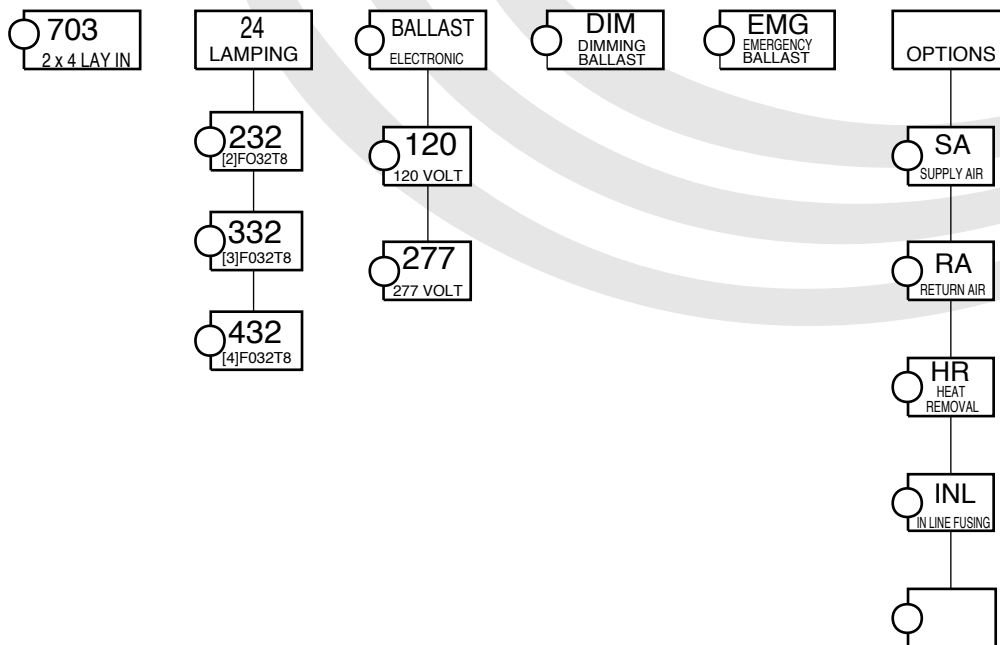


703 PARABOLIC 2x4 SERIES

RECESSED 3" DEEP 18 CELL PARABOLIC LOUVER



ORDERING DATA



Specifications

DESCRIPTION: Lay in recessed high efficiency low-brightness recessed luminaire. Provides high visual comfort and performance by glare control. Ideal for office, educational, and retail applications. Fixture has no exposed hardware.

CONSTRUCTION: Fixture housing precision die formed from 20 Gauge cold rolled steel. Snap on wireway cover completely conceals ballast and wiring compartment and is easily removable. Shielding assembly is supported by concealed hinges and snap action latches. Door assembly opens from either side.

LOUVER: Parabolic louver is low iridescence, semi-specular aluminum. White, full specular, or gold specular is optional. Consult factory for options not listed.

BALLAST: Electronic T8, Class "P", CBM-ETL certified. Consult factory for magnetic T12 ballast

LABELS: IBEW Union Made. Listed by Underwriters Laboratories as suitable for dry location and air handling use (return air only)

PHOTOMETRICS: 703 PARABOLIC 2X4 SERIES COEFFICIENTS OF UTILIZATION, ZONAL CAVITY METHOD EFFECTIVE FLOOR CAVITY REFLECTANCE 0.20

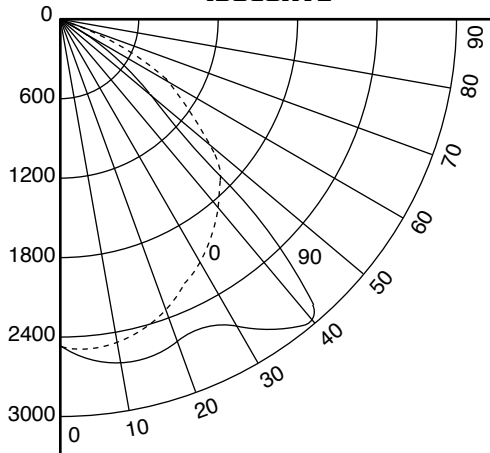
CEILING WALL RCR	80			70			50			10			0
	70	50	30	70	50	30	50	30	10	50	30	10	0
0													
1	81	78	76	79	77	75	74	72	71	50	57	55	65
2	75	71	67	74	70	66	67	64	62	54	51	48	58
3	70	64	59	68	63	59	61	57	54	49	43	40	51
4	65	58	52	58	51	46	55	51	48	44	40	37	45
5	60	52	46	54	46	41	49	45	41	40	36	33	39
6	55	47	41	50	41	36	45	40	36	36	32	29	34
7	51	42	36	50	41	36	40	35	32	33	29	25	30
8	47	38	32	46	37	32	36	31	28	29	25	22	26
9	43	34	28	42	33	28	32	27	24	27	23	20	22
10	40	31	25	39	30	25	29	24	21	25	25	24	20

Luminaire: Formed Steel, Parabolic Louver
Ballast: Valmont E332P1120G01
Lamping: [3] F032T8 @2950 lumens
Mounting: Recessed

HASCO File #703332522
Prepared by: P. Marshall
Catalog number: 703-24-332

Data subject to change
Please consult factory for
additional information.

ISO CURVE



CANDLE POWER SUMMARY

VERT ANGLE	0	45	90
0	2550	2641	2556
10	2540	2541	2604
20	2300	2515	2651
30	2165	2451	2750
40	1874	2455	3005
45	1700	2641	1741
50	1504	1954	930
60	994	528	354
70	74	31	8
80	4	5	2
90	0	0	0

ZONAL LUMEN SUMMARY

ZONE	LUMENS	%LAMP	%FIXTURE
0-30	2088	24.20	33.05
0-40	3590	41.66	56.05
0-60	5985	68.91	93.20
0-90	6304	72.21	100
0-180	6304	72.21	100