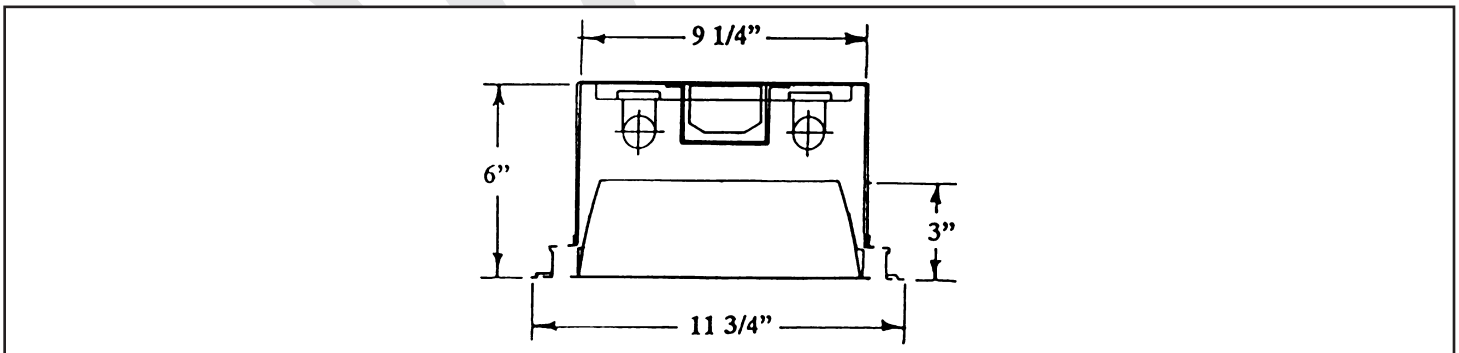
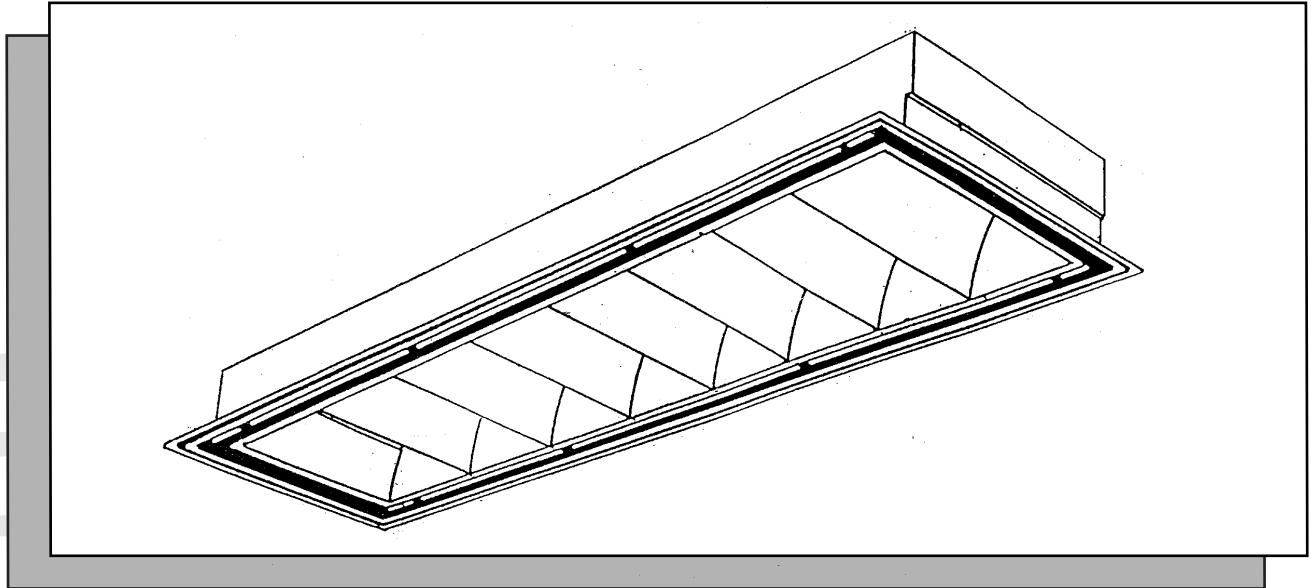
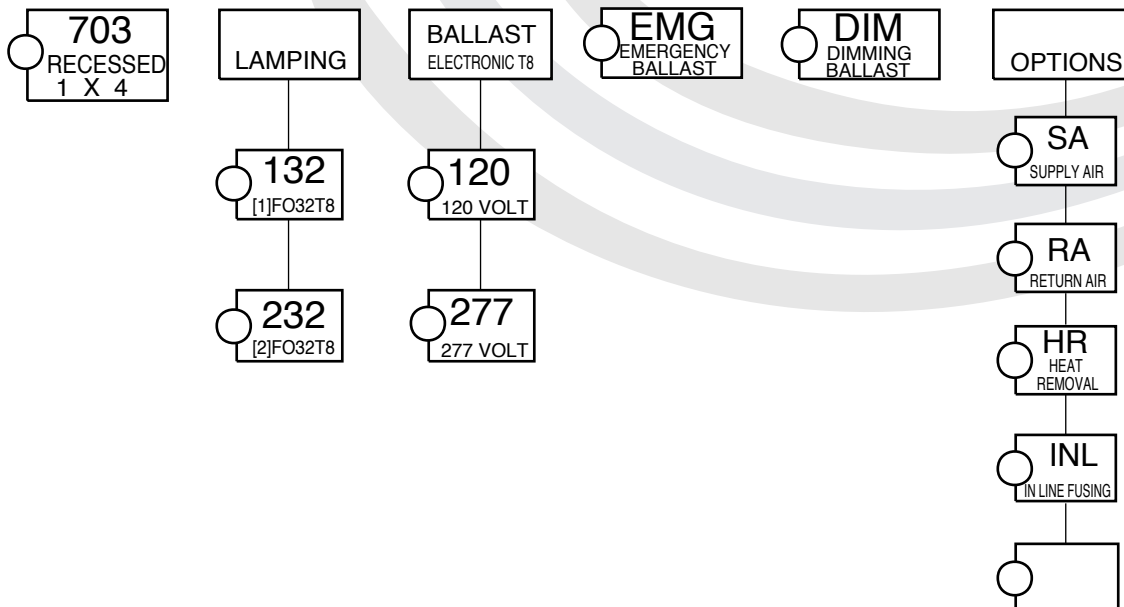


# 703 PARABOLIC 1X4 SERIES

RECESSED 3" DEEP 8-CELL PARABOLIC



## ORDERING DATA



# Specifications

**DESCRIPTION:** Recessed high efficiency, high visual comfort, and attractive appearance make it ideal for office, retail, or educational applications. Fixture has no exposed hardware.

**HOUSING:** 20 gauge cold rolled steel, precision die formed and electrically welded. Snap on wireway cover completely conceals ballast and wiring compartment and is easily removable.

**SHIELDING:** The 8 cell, 3 inch deep cell parabolic louvers are constructed of semi specular anodized aluminum. This assures high visual comfort and efficiency. Interlocked construction for sturdy louvers. Snap in louver requires no tools for relamping.

**BALLAST:** Electronic T8, Class "P", CBM-ETL certified. Consult factory for magnetic T12 ballast

**FINISH:** All steel parts are treated with the HASCO "Perm-O-Last" multi-stage rust inhibitive process. Standard finish is a durable baked white enamel with a minimum reflectance of 90%. Consult factory for other colors and finishes. Fixture is post painted.

**LABELING:** All HASCO fixtures are U.L. approved and I.B.E.W. Union Made.

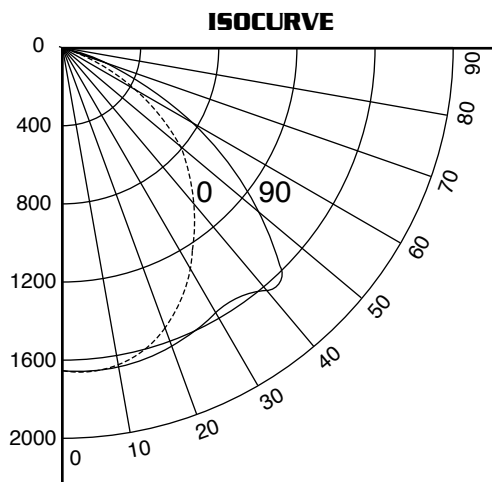
## PHOTOMETRICS: #703 PARABOLIC 1x4 SERIES COEFFICIENTS OF UTILIZATION, ZONAL CAVITY METHOD EFFECTIVE FLOOR CAVITY REFLECTANCE 0.20

CEILING WALL RCR	80			70			50			30			10			0		
	70	50	30	10	70	50	30	10	50	30	10	50	30	10	0			
0	79	79	79	78	77	77	76	76	71	70	68	69	67	66	66	65	64	63
1	74	71	69	66	72	69	67	65	64	61	59	52	56	56	51	58	56	55
2	68	65	61	59	67	62	60	60	58	54	51	56	53	50	55	52	49	48
3	65	59	52	49	59	56	52	48	53	48	45	51	47	44	50	44	41	42
4	58	53	49	42	59	51	45	42	47	43	39	46	42	39	45	41	38	37
5	55	47	42	39	45	45	42	39	43	38	35	42	38	34	41	37	34	33
6	50	42	38	34	49	42	37	33	39	34	31	38	34	30	37	33	30	29
7	48	38	33	29	46	38	32	30	35	30	24	34	30	27	34	30	26	25
8	43	35	29	26	42	34	29	27	32	27	24	31	27	23	30	26	23	22
9	40	31	26	22	40	32	27	23	21	21	20	28	24	21	28	24	21	20
10	38	29	23	19	37	29	25	22	27	27	22	26	26	25	26	26	25	24

**Luminaire: Formed Steel, Parabolic Louver**  
**Ballast: Valmont E232P1120G01**  
**Lamping: [2] F032T8 @2900 lumens**  
**Mounting: Surface**

**HASCO File #736232905**  
**Prepared by: P. Marshall**  
**Catalog number: 703-14-232**

**Data subject to change**  
**Please consult factory for**  
**additional information.**



### CANDLE POWER SUMMARY

VERT ANGLE	0	45	90
0	1652	1652	1652
10	1621	1641	1645
20	1500	1560	1652
30	1368	1440	1590
40	1115	1326	1640
45	995	1300	1550
50	813	1166	1352
60	145	594	772
70	24	47	175
80	5	15	15
90	0	0	0

### ZONAL LUMEN SUMMARY

ZONE	LUMENS	%LAMP	%FIXTURE
0-30	1222	21.2	30.1
0-40	2114	36.7	51.4
0-60	3804	66.9	93.2
0-90	4072	71.4	100
0-180	4072	71.4	100