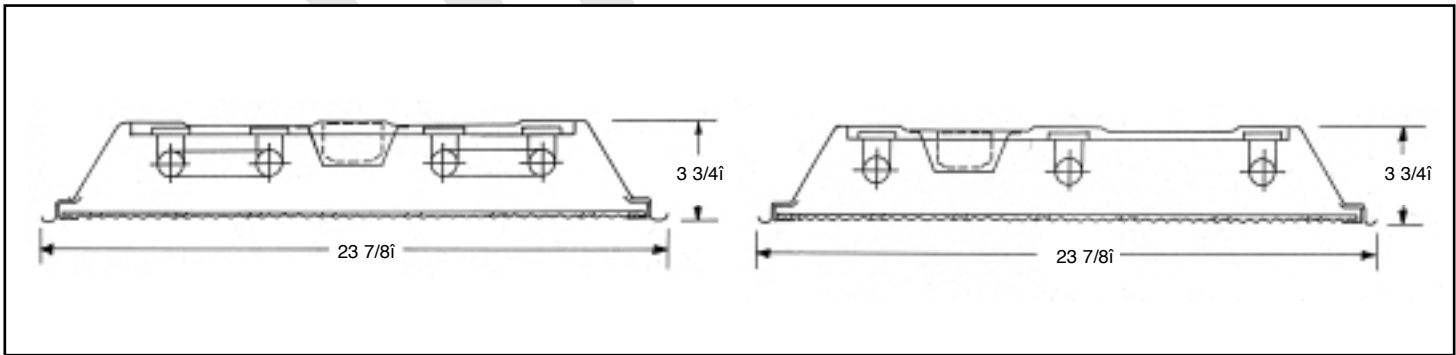
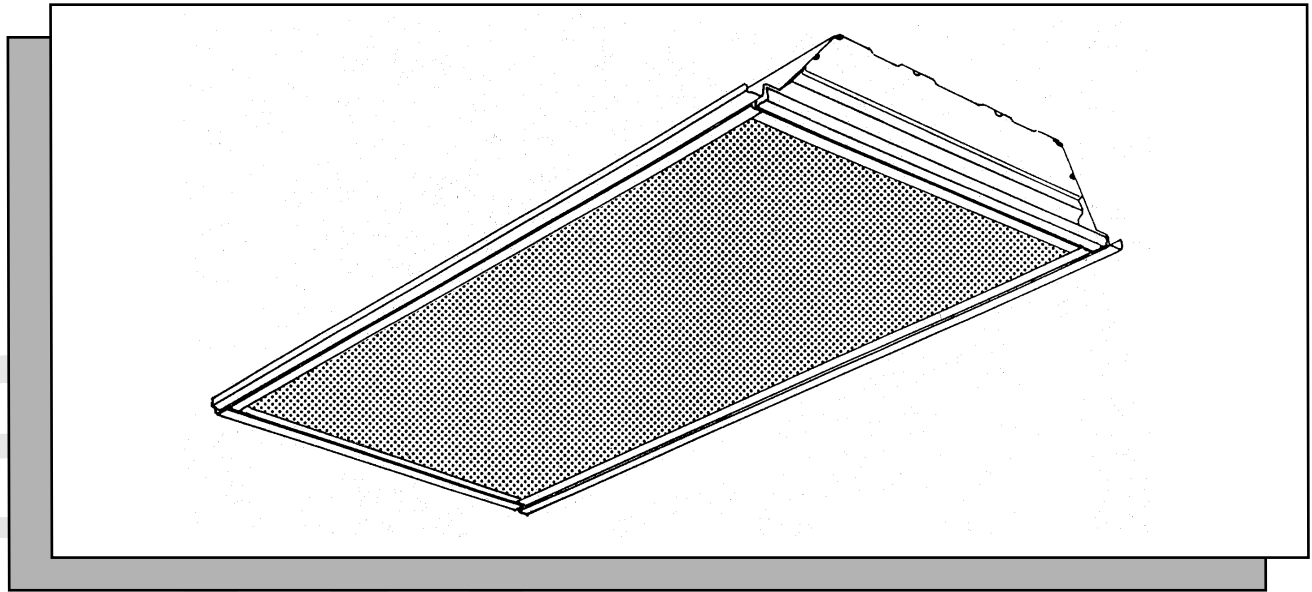
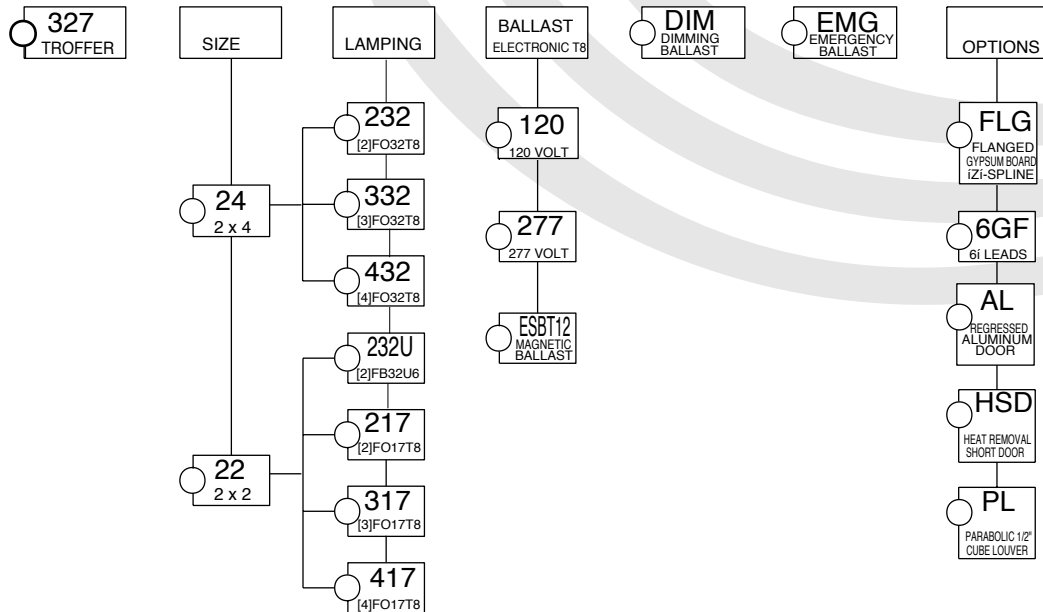


# 327 SERIES RECESSED Grid/FLANGED TROFFER



## ORDERING DATA



# Specifications

**DESCRIPTION:** Recessed troffer with shallow depth for easy installation. High efficiency and quality illumination make this fixture ideal for multi-purpose commercial applications.

**HOUSING:** 3-3/4" depth is 20 gauge precision die formed cold rolled steel. Socket plates are easily accessible for servicing and reflector/ballast cover also removes easily. Built in clips enable fixture to attach to grid tee. Four corner tie points for safety wire. Flange option with leveling lugs available.

**DOOR:** .Constructed from 20 gauge cold rolled steel. Concealed hinges open from either side. Doors open and close by rotary latches. Regressed aluminum door frames available.

**SHIELDING:** Clear prismatic virgin acrylic lens is standard: K12 pattern. Consult factory for options not listed.

**BALLAST:** Electronic T8, Class "P", CBM-ETL certified. Consult factory for magnetic T12 ballast

**FINISH:** All steel parts are treated with the HASCO "Perm-O-Last" multi-stage rust inhibitive process. Standard finish is a durable baked white enamel with a minimum reflectance of 90%. Consult factory for other colors and finishes. Fixture is post painted.

**LABELS:** All HASCO units are U.L. approved and I.B.E.W. Union Made.

## PHOTOMETRICS: 327 SERIES RECESSED GRID/FLANGED TROFFER COEFFICIENTS OF UTILIZATION, ZONAL CAVITY METHOD EFFECTIVE FLOOR CAVITY REFLECTANCE 0.20

327-24-440-G  
2x2 U-Lamp x.95  
1x4 lamp x .91

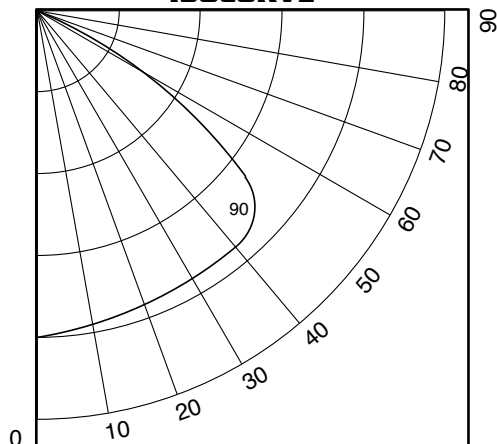
CEILING WALL RCR	80		50	
	50	30	50	30
0				
1	69	67	68	66
2	62	59	61	58
3	56	52	56	52
4	51	46	50	46
5	46	41	45	41
6	42	37	41	36
7	38	33	37	33
8	34	29	34	29
9	31	26	30	26
10	28	23	28	23

**Data subject to change  
Please consult factory for  
additional information.**

**HASCO File #327440427  
Prepared by: P. Marshall  
Catalog number:327-ST-232-120**

**Luminaire: formed steel, K12 lens  
Ballast: Valmont E232P1120G01  
Lamping: [2] F032T8 @2950 lumens  
Mounting: RECESSED**

### ISOCURVE



### CANDLE POWER SUMMARY

VERT ANGLE	0	45	90
0	1395	1395	1395
5	1410	1408	1415
10	1398	1397	1412
15	1388	1395	1414
20	1368	1380	1398
25	1273	1291	1314
30	1206	1232	1241
35	1085	1110	1117
40	954	956	976
45	720	725	734
50	564	600	585
55	422	438	425
60	310	296	300
65	228	189	224
70	151	107	156
75	124	88	123
80	94	63	81
85	38	23	29
90	0	0	0

### LUMEN SUMMARY

ZONE	LUMENS	%LAMP	%FIXTURE
0-30	1130	17.7	36.1
0-40	1825	28.5	58.3
0-60	2774	43.3	88.7
0-90	3129	48.9	100
90-180	0	0	0
0-180	3129	48.9	100

ZONE	AVG PAR	MAX PAR	MX/AV RATIO	AVG NORM	MAX NORM	MX/AV RATIO
45	959	1732	1.8	978	1579	1.6
55	693	1108	1.6	697	1117	1.6
65	509	743	1.5	499	900	1.8
75	451	730	1.6	446	726	1.6
85	408	1032	2.5	314	510	1.6