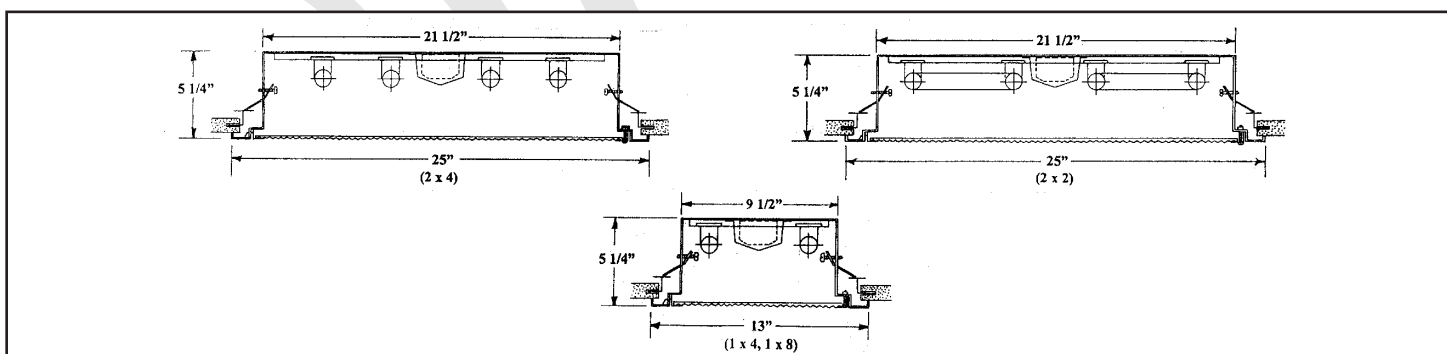
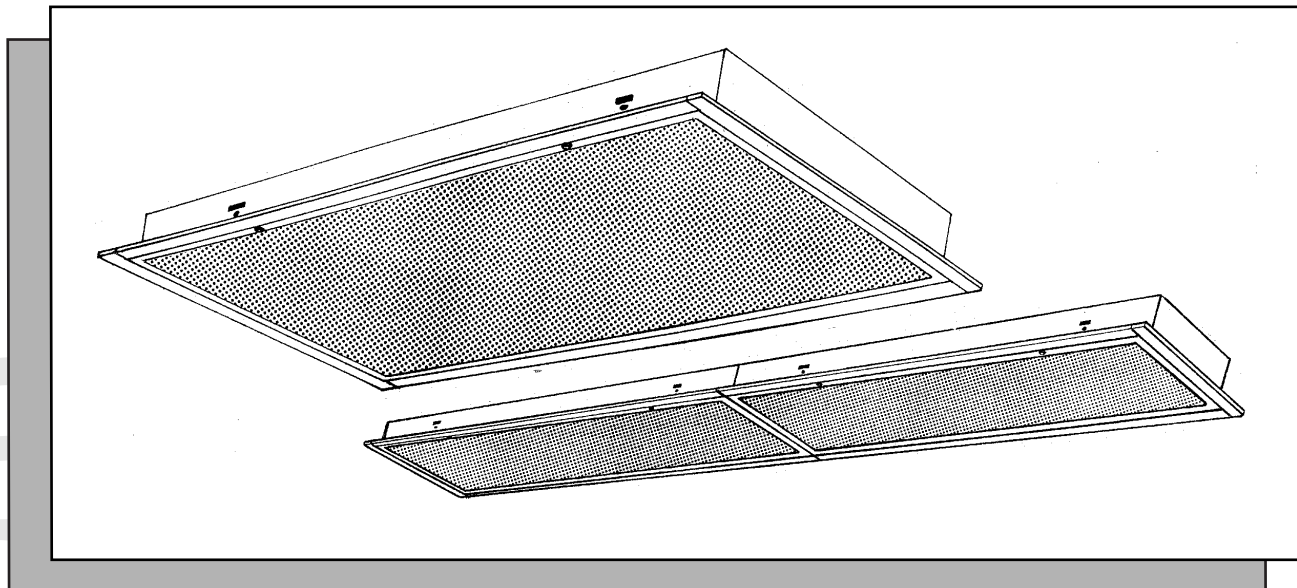
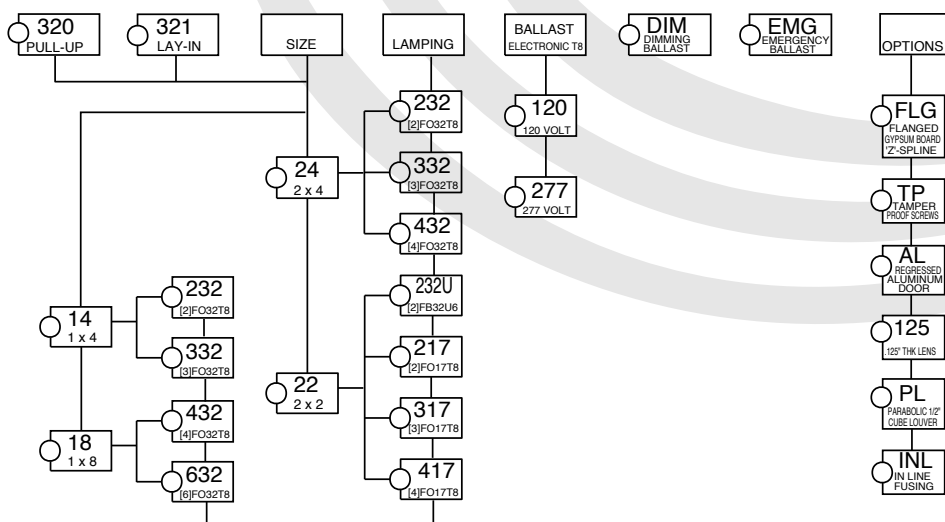


320/321 RECESSED TROFFER

CONCEALED GRID / EXPOSED GRID CEILING



ORDERING DATA



Specifications

DESCRIPTION: Recessed troffer with shallow depth for easy installation. High efficiency and quality illumination make this fixture ideal for multi-purpose commercial applications.

HOUSING: 5-1/4" depth, 20 gauge precision die formed cold rolled steel. Socket plates are easily accessible for servicing and reflector/ballast cover also removes easily. Built in clips enable fixture to attach to grid tee. Four corner tie points for safety wire; Flange option with leveling lugs available.

DOOR: Constructed from 20 gauge cold rolled steel. Concealed hinges open from either side. Doors open and close by rotary latches. Regressed aluminum door frames available.

SHIELDING: Clear prismatic virgin acrylic lens is standard: K12 pattern. Consult factory for options not listed.

BALLAST: Electronic T8, Class "P", CBM-ETL certified. Consult factory for magnetic T12 ballast

FINISH: All steel parts are treated with the HASCO "Perm-O-Last" multi-stage rust inhibitive process. Standard finish is a durable baked white enamel with a minimum reflectance of 90%. Consult factory for other colors and finishes. Fixture is post painted.

LABELS: All HASCO units are U.L. approved and I.B.E.W. Union Made.

PHOTOMETRICS: 320/321 RECESSED TROFFER COEFFICIENTS OF UTILIZATION, ZONAL CAVITY METHOD EFFECTIVE FLOOR CAVITY REFLECTANCE 0.20

2x2 U-Lamp x.95
1x4 lamp x .91

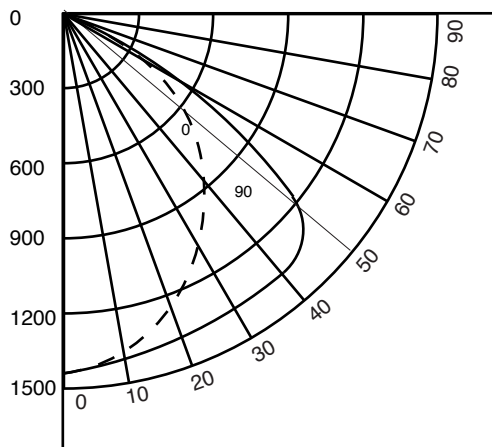
CEILING WALL RCR	80			50			30		
	50	30	10	50	30	10	50	30	10
0									
1	47	46	45	43	43	42	42	41	41
2	45	43	41	40	39	38	39	38	37
3	42	39	37	37	36	34	36	35	34
4	40	36	33	35	33	31	34	32	31
5	37	33	30	32	30	28	31	29	28
6	35	30	28	29	27	25	29	27	25
7	32	28	25	27	25	23	26	24	23
8	30	25	22	25	22	20	24	22	20
9	28	23	20	22	20	18	22	19	18
10	26	21	18	20	18	16	20	17	16

Luminaire: Formed Steel
Ballast: Valmont E232P1120601
Lamping: [2] F032T8 @2950 lumens
Mounting: Recessed

HASCO File # 101916/ITL
Prepared by: P. Marshall
Catalog number: 320-ST-232 G

Data subject to change
Please consult factory for
additional information.

ISOCURVE



CANDLE POWER SUMMARY

VERT ANGLE	0	45	90
0	1395	1395	1395
10	1368	1397	1412
20	1206	1380	1395
30	1085	1232	1241
40	720	956	976
45	564	725	734
50	310	500	585
60	151	296	224
70	94	107	124
80	38	53	91
90	0	0	0

ZONAL LUMEN SUMMARY

ZONE	LUMENS	%LAMP	%FIXTURE
0-30	1130	17.7	36.1
0-40	1825	28.5	58.3
0-60	2774	43.3	88.7
0-90	3129	48.9	100
90-180	0	0	0
0-180	3129	48.9	100