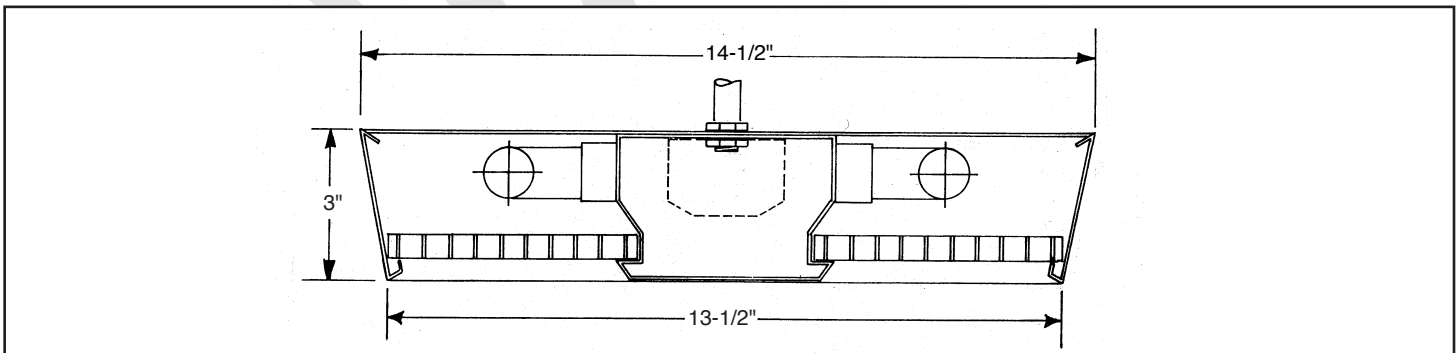
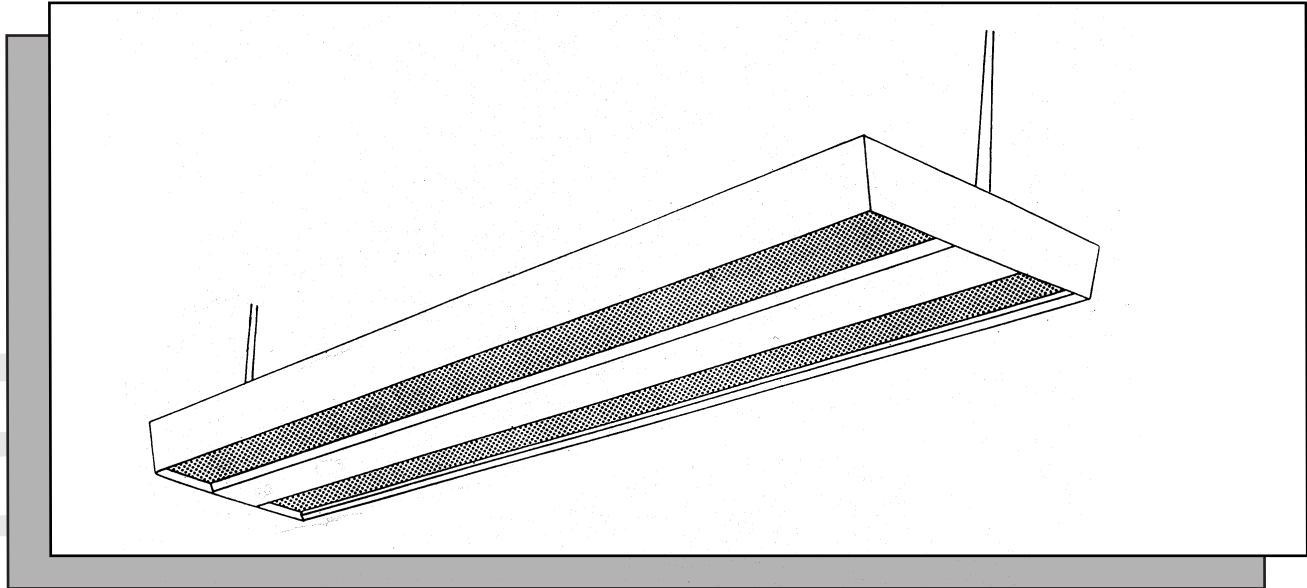
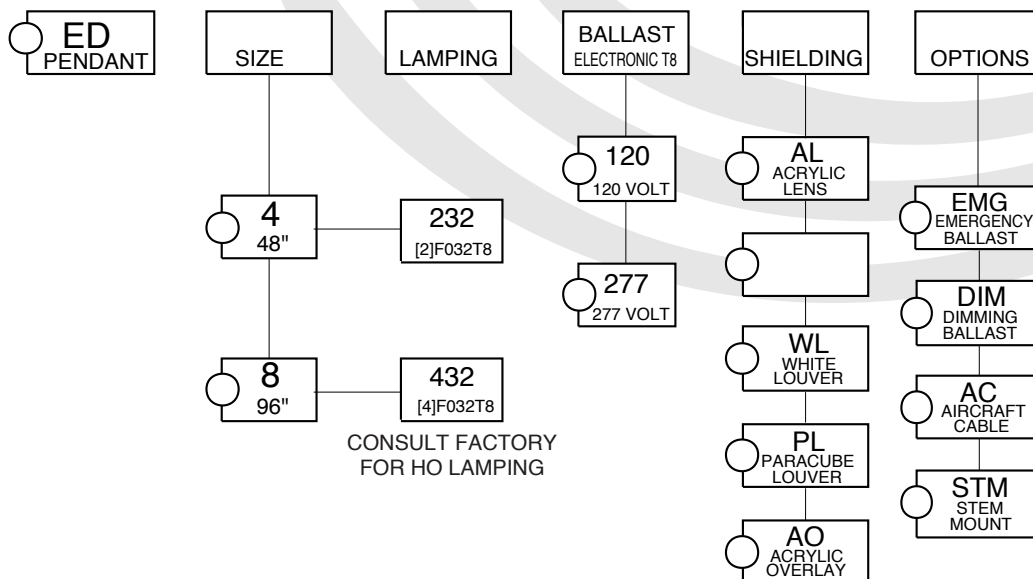


EDUCATOR SERIES

DIRECT / INDIRECT / PENDANT



ORDERING DATA



Specifications

FIXTURE: Pendant mount direct/indirect lighting is designed specifically for classroom applications. Fixture has high efficiency, high visual comfort, economical cost, and attractive appearance. Units can be mounted individually or in continuous rows.

HOUSING: Extruded aluminum alloy #6063T5 with a nominal thickness of .125". Snap in louver allows easy removal and completely conceals ballast and wiring compartment.

SHIELDING: .125" thk prismatic non-yellowing acrylic. 1/2 x 1/2" anodized aluminum, 1/2" x 1/2" parabolic vacuum metalized, or 1/2" x 1/2" white acrylic louver available. Consult factory for options not listed.

BALLAST: Electronic T8, Class "P" CBM-ETL certified.

FINISH: All steel parts are treated with the HASCO "Perm-O-Last" multi-stage rust inhibitive process. Standard finish is a durable baked white enamel with a minimum reflectance of 90%. Consult factory for other colors and finishes. Fixture is post painted.

LABELING: All HASCO fixtures are U.L. approved and IBEW union made.

PHOTOMETRICS: EDUCATOR SERIES

COEFFICIENTS OF UTILIZATION, ZONAL CAVITY METHOD
EFFECTIVE FLOOR CAVITY REFLECTANCE 0.20

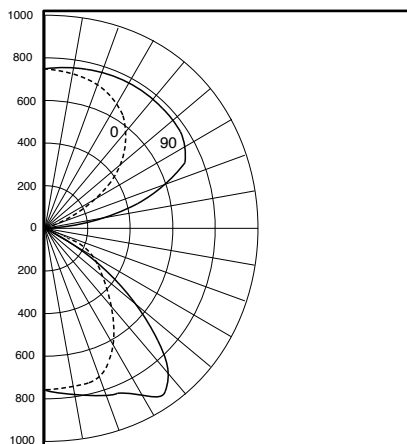
CEILING WALL RCR		80				50			30		
		70	50	30	10	50	30	10	50	30	10
	0	95	95	95	95	71	71	71	57	57	57
	1	88	84	81	78	64	62	60	51	50	49
	2	81	75	70	66	57	54	52	47	45	43
	3	74	67	61	56	51	48	45	42	39	37
	4	68	59	53	48	46	42	39	38	35	33
	5	63	53	46	41	41	37	33	34	31	28
	6	58	47	40	36	37	32	29	31	27	25
	7	53	42	36	31	33	29	25	27	24	22
	8	49	38	31	27	30	25	22	25	21	19
	9	45	34	28	23	27	22	19	22	19	16
	10	42	31	25	20	24	20	17	20	17	14

Luminaire: Formed Steel, Acrylic Lens
Ballast: Valmont E232P1120601
Lamping: [2] F032T8 @2950 lumens
Mounting: Suspended

HASCO File #OV9232814
Prepared by: P. Marshall
Catalog number: ED-232-120-AL

Data subject to change
Please consult factory for
additional information.

ISOCURVE



CANDLE POWER SUMMARY

ANGLE	0	45	90
0	724	724	724
5	705	734	746
15	693	805	853
25	679	892	935
35	602	962	973
45	416	708	800
55	265	427	400
65	67	98	33
75	10	12	11
85	8	8	8
90	0	0	0
95	19	74	50
105	119	406	451
115	246	589	708
125	376	617	814
135	494	655	779
145	597	692	769
155	669	722	755
165	718	740	758
175	745	746	747
180	745	745	745

ZONAL LUMEN SUMMARY

ZONE	LUMENS	%LAMP	%FIXTURE
0-30	709	12.1	13.4
0-40	1219	21	23.1
0-60	2072	34.6	39.2
0-90	2166	37.9	44.8
90-120	982	16.5	18.3
90-130	1525	26.0	28.9
90-150	2463	42.3	26.7
90-180	3073	53.1	58.4
0-180	5253	89.6	100