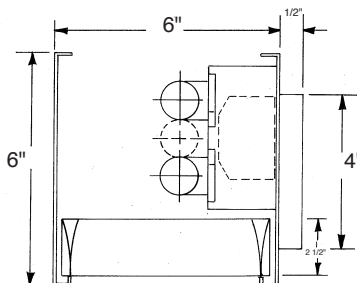
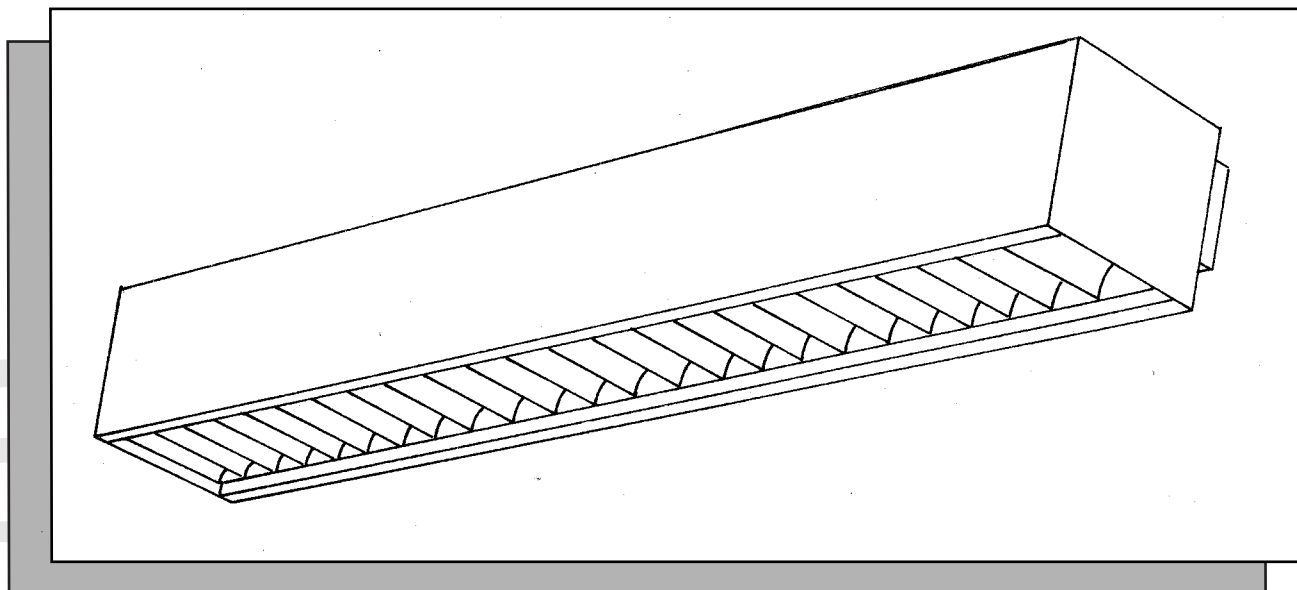
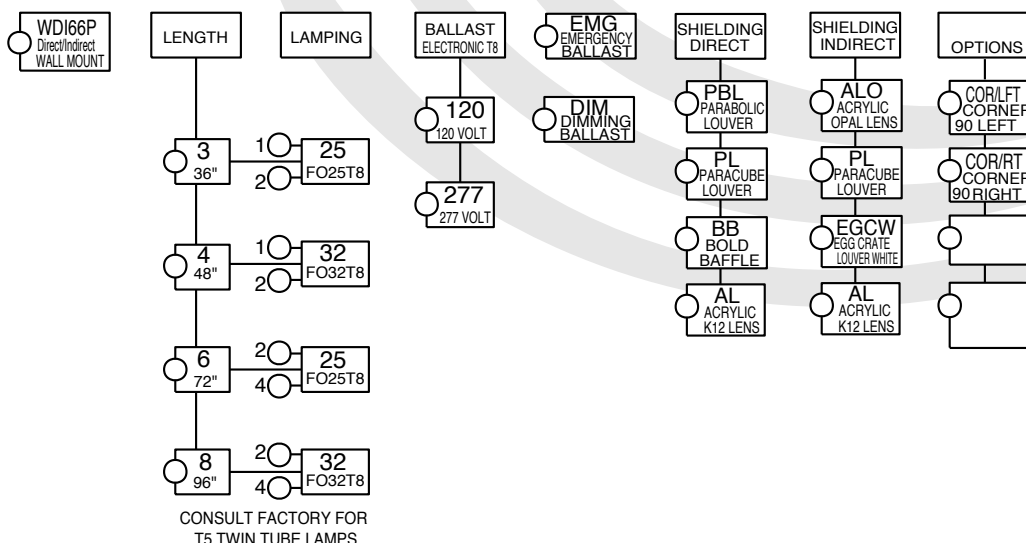


WDI 66 P PROFILE SERIES

Wall Direct/Indirect Parabolic



ORDERING DATA



Specifications

DESCRIPTION: High efficiency, high visual comfort, and attractive appearance make it ideal for architectural spaces. Rectilinear shape, direct/indirect, and wall/ceiling washing make this a versatile lighting instrument. Fixture is commonly used for corridors, telephone kiosks, chalkboards, study carrels, and many other commercial and institutional spaces.

HOUSING: Precision die formed 20 gauge cold rolled steel. Welded construction for rigidity. The socket plates and ballast cover are easily accessible for servicing. Wall mounting only.

SHIELDING: Semi-direct has choices of low glare, low iridescence, high efficiency semi specular parabolic louver, champagne gold, paracube louver, bold louver, or prismatic lens. Consult factory for options not listed.

BALLAST: Electronic T8 or Twin Tube 40w, Class "P", CBM-ETL certified. Consult factory for magnetic T12 ballast.

FINISH: All steel parts are treated with the HASCO "Perm-O-Last" multi-stage rust inhibitive process. Standard finish is a durable baked white enamel with a minimum reflectance of 90%. Consult factory for other colors and finishes. Fixture is post painted.

LABELING: All HASCO fixtures are U.L. approved and IBEW union made.

PHOTOMETRICS: WDI 66P Profile Series Wall Direct/Indirect Parabolic COEFFICIENTS OF UTILIZATION, ZONAL CAVITY METHOD EFFECTIVE FLOOR CAVITY REFLECTANCE 0.20

MULTIPLIERS
L acrylic louver
1 lamp x1.10

PBC paracube louver
1 lamp x .66
2 lamp x .55

B bold louver
1 lamp .81
2 lamp .71

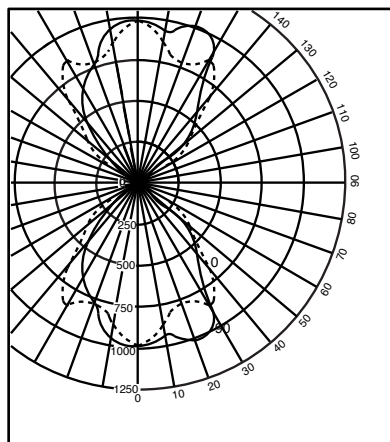
CEILING WALL RCR	80			50			30			
	70	50	30	10	50	30	10	50	30	10
0	68	68	68	68	51	51	51	43	43	43
1	64	59	58	56	46	46	45	39	38	38
2	55	56	48	47	41	40	39	36	34	33
3	53	49	44	42	39	36	34	32	31	29
4	50	43	40	35	34	34	29	25	23	22
5	45	39	34	32	31	28	26	22	21	19
6	43	35	31	27	27	25	24	20	19	17
7	39	32	27	24	25	22	21	19	17	15
8	36	29	25	20	23	20	18	17	15	13
9	34	25	21	19	22	17	15	15	13	12
10	32	23	20	16	18	16	13	14	13	12

Luminaire: Formed Steel
Ballast: Valmont E232P1120601
Lamping: [2] F32T8 @2900 lumens
Mounting: Surface

HASCO File # 121844?ITL
Prepared by: P. Marshall
Catalog number: WDI66P-4-232-120 PBL

Data subject to change
Please consult factory for
additional information.

ISOCURVE



CANDLE POWER SUMMARY

VERT ANGLE	0	90
0	959	959
10	832	904
20	811	1055
30	831	881
40	664	542
45	533	311
50	347	45
60	211	22
70	27	6
80	3	3
90	2	0
100	3	3
110	27	6
120	211	22
130	347	45
135	533	311
140	663	541
150	832	882
160	811	1055
170	832	904
180	958	958

ZONAL LUMEN SUMMARY

ZONE	LUMENS	%LAMP	%FIXTURE
180-90	2102	34.5	56.01
90-0	1587	27.3	43.88
180-0	3578	62.9	100