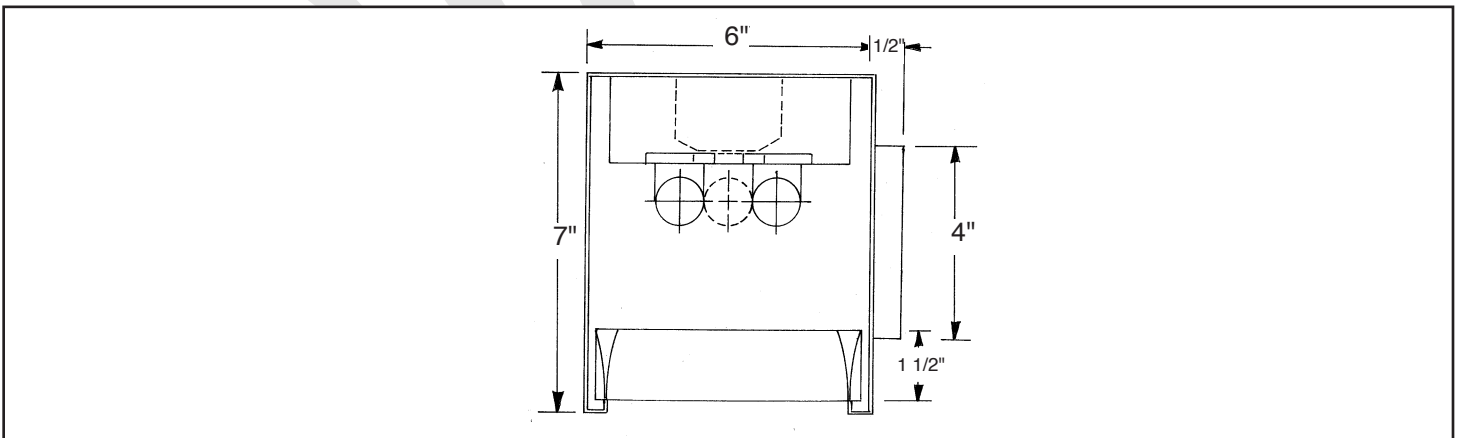
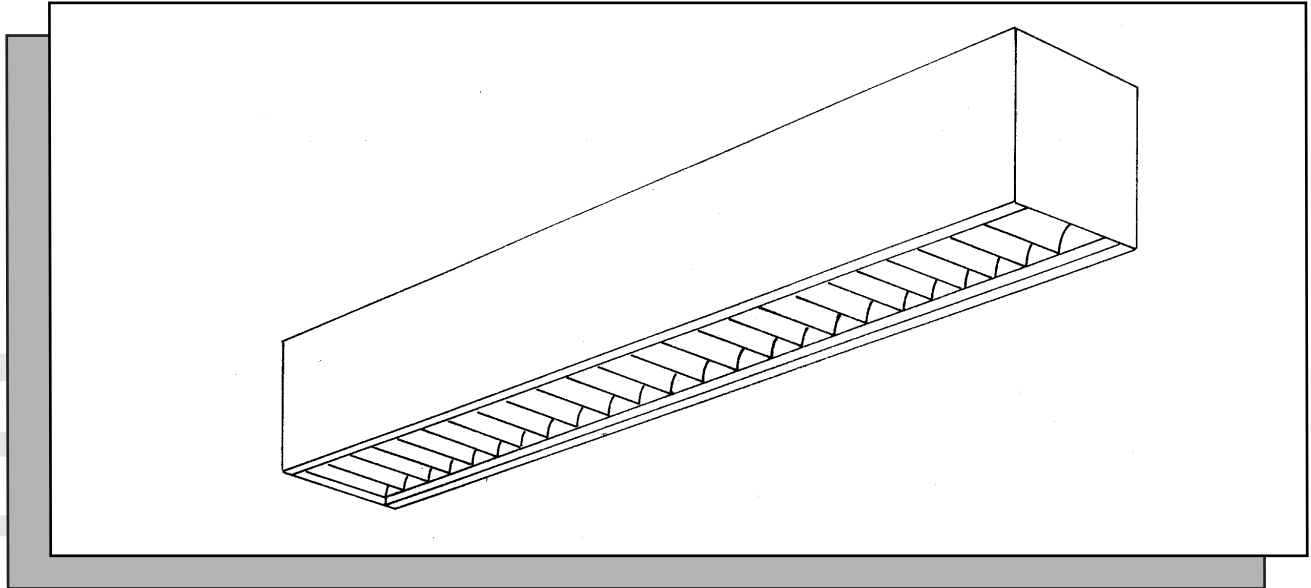
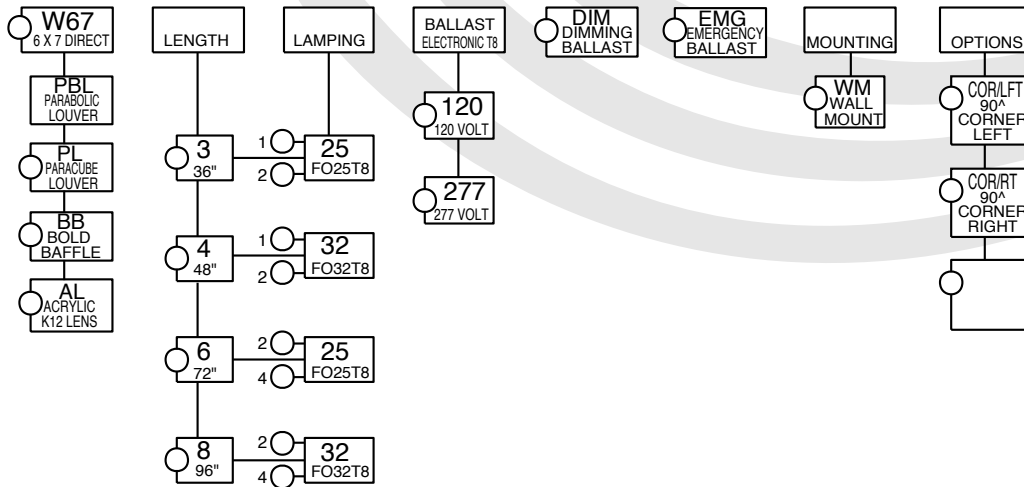


W 67 P PROFILE SERIES

Direct Wall Parabolic



ORDERING DATA



CONSULT FACTORY
FOR T5 TWIN TUBE LAMPS

Specifications

DESCRIPTION: High efficiency, high visual comfort, and attractive appearance make it ideal for architectural spaces. Rectilinear shape, and downward distribution make this fixture a good choice for chalkboard lighting, telephone kiosks, library stacks, and corridors.

HOUSING: Precision die formed 20 gauge cold rolled steel. Welded construction for rigidity. The socket plates and ballast cover are easily accessible for servicing. Surface and pendant mounting available.

SHIELDING: Choices of low glare, low iridescence, high efficiency semi specular parabolic louver, champagne gold, paracube louver, bold louver, or prismatic lens. Consult factory for options not listed.

BALLAST: Electronic T8 or Twin Tube 40w, Class "P", CBM-ETL certified. Consult factory for magnetic T12 ballast

FINISH: All steel parts are treated with the HASCO "Perm-O-Last" multi-stage rust inhibitive process. Standard finish is a durable baked white enamel with a minimum reflectance of 90%. Consult factory for other colors and finishes. Fixture is post painted.

LABELING: All HASCO fixtures are U.L. approved and IBEW union made.

PHOTOMETRICS: W 67P PROFILE SERIES DIRECT Wall PARABOLIC 6x7 COEFFICIENTS OF UTILIZATION, ZONAL CAVITY METHOD EFFECTIVE FLOOR CAVITY REFLECTANCE 0.20

MULTIPLIERS

L acrylic louver
1 lamp x1.10

PCB paracube louver
1 lamp x .66
2 lamp x .55

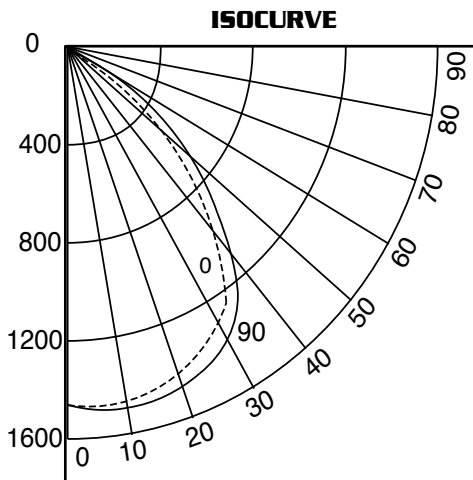
B bold louver
1 lamp .81
2 lamp .71

| CEILING WALL RCR | 80 | | | | 50 | | | 30 | | |
|------------------|----|----|----|----|----|----|----|----|----|----|
| | 70 | 50 | 30 | 10 | 50 | 30 | 10 | 50 | 30 | 10 |
| 0 | | | | | | | | | | |
| 1 | 61 | 56 | 54 | 52 | 49 | 48 | 46 | 44 | 43 | 43 |
| 2 | 54 | 51 | 47 | 44 | 44 | 42 | 40 | 40 | 39 | 37 |
| 3 | 52 | 45 | 42 | 41 | 40 | 37 | 35 | 37 | 35 | 33 |
| 4 | 46 | 41 | 37 | 34 | 37 | 33 | 31 | 33 | 31 | 29 |
| 5 | 43 | 37 | 33 | 29 | 34 | 29 | 27 | 30 | 28 | 25 |
| 6 | 40 | 33 | 29 | 26 | 30 | 26 | 24 | 28 | 25 | 23 |
| 7 | 36 | 30 | 25 | 22 | 27 | 24 | 21 | 25 | 22 | 20 |
| 8 | 33 | 26 | 23 | 20 | 26 | 21 | 19 | 23 | 20 | 18 |
| 9 | 32 | 25 | 22 | 19 | 22 | 21 | 16 | 20 | 18 | 16 |
| 10 | 30 | 23 | 19 | 17 | 20 | 17 | 15 | 19 | 16 | 14 |

Luminaire: Formed Steel
Ballast: Valmont E232P1120G01
Lamping: (2) F32T8 @2900 lumens
Mounting: Pendant

HASCO File #101865/ITL
Prepared by: P. Marshall
Catalog number: W67-P-4-232-120

Data subject to change
Please consult factory for additional information.



CANDLE POWER SUMMARY

| VERT ANGLE | 0 | 90 |
|------------|------|------|
| 0 | 1450 | 1450 |
| 10 | 1502 | 1436 |
| 20 | 1495 | 1385 |
| 30 | 1456 | 1275 |
| 40 | 1050 | 1005 |
| 45 | 905 | 803 |
| 50 | 702 | 615 |
| 60 | 256 | 325 |
| 70 | 78 | 152 |
| 80 | 56 | 65 |
| 90 | 0 | 0 |

ZONAL LUMEN SUMMARY

| ZONE | LUMENS | %LAMP | %FIXTURE |
|--------|--------|-------|----------|
| 180-90 | 290 | 4.88 | 10.45 |
| 90-0 | 2456 | 42.5 | 89.20 |