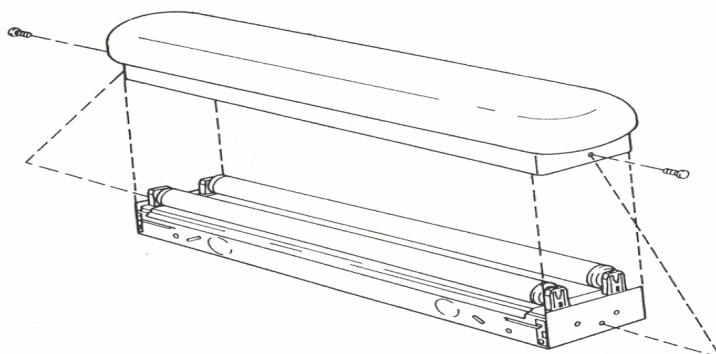


ELBB SERIES

CLOUD

- Ideal for flush mounting
- Pre-finished 23 ga steel in a baked white enamel
- UL listed for dry locations
- Smooth opal acrylic included



Dimensions subject to change, inquire at factory for latest data



ENERGY SAVING FLUORESCENT FIXTURES						
T12 MAGNETIC						
MODEL NO.	QTY	LAMP TYPE		DIMENSIONS		
				L	W	D
ELBB220I	2LT	F20T12	PRE-HEAT	26-3/4IN	6IN	4-1/8IN
ELBB230R	2LT	F30T12	RAPID START	38-3/4IN	6IN	4-1/8IN
ELBB234R	2LT	F34T12	RAPID START	50-3/4IN	6IN	4-1/8IN

ENERGY SAVING FLUORESCENT FIXTURES						
T8 ELECTRONIC						
MODEL NO.	QTY	LAMP TYPE		DIMENSIONS		
				L	W	D
E-ELBB217	2LT	F17T8	INSTANT START	26-3/4IN	6IN	4-1/8IN
E-ELBB225	2LT	F25T8	INSTANT START	38-3/4IN	6IN	4-1/8IN
E-ELBB232	2LT	F32T8	INSTANT START	50-3/4IN	6IN	4-1/8IN

AVAILABLE ADDERS/OPTIONS (Some may be special order, please inquire at factory)

- 277 volt
- Emergency back-up
- Zero degree ballast



APOLLO LIGHTING
 212 SOUTH 12th AVENUE
 MOUNT VERNON, NEW YORK 10550
 914-664-3600 Phone 914-664-6091 Fax