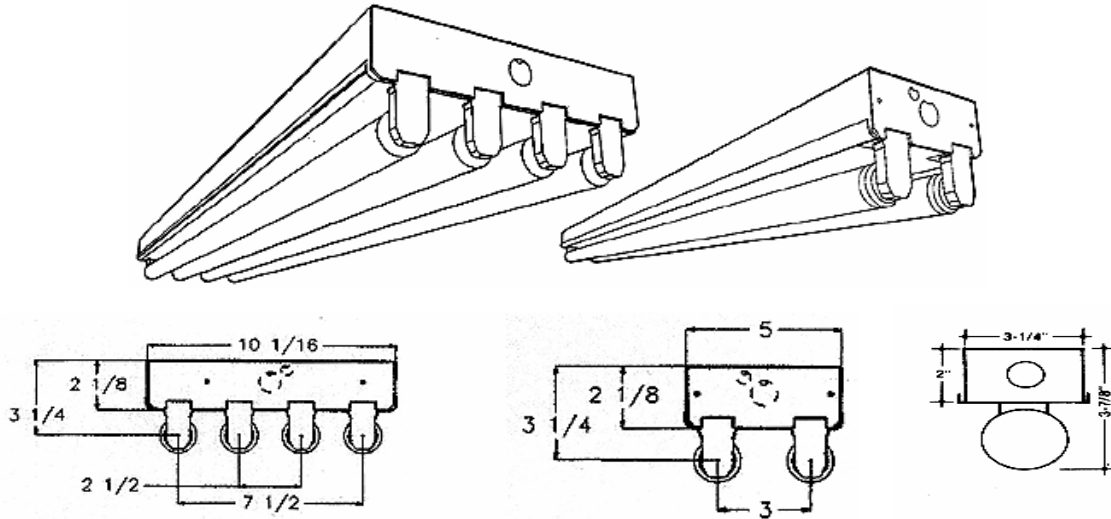


LPE SERIES**WELDED COMMERCIAL STRIP**

- Ideal for flush, stem or row mounting
- Pre-finished 22 ga steel in a baked white enamel
- UL listed for dry and damp locations



Dimensions subject to change, inquire at factory for latest data



ENERGY SAVING FLUORESCENT FIXTURES T12 MAGNETIC						
MODEL NO.	QTY	LAMP TYPE		DIMENSIONS		
		L		L	W	D
*LPE496	4LT	F96T12	INSTANT START	96IN	8-1/2IN	2-7/8IN

*Available in T12 MAG HO (EX: LPE496HO), T8 ELE HO (EX: LPE496HO-T8), T12 ELE HO (EX: E-LPE496HO-T12), T8 ELE (EX: E-LPE496-T8), T12 ELE (EX: E-LPE496-T12)

AVAILABLE ADDERS/OPTIONS(Some may be special order, please inquire at factory)

- 277 volt
- Cord & plug (2 or 3 wire)
- Emergency back-up
- Pull chain switch
- Stems (3/8in diameter)
- Zero degree ballast



APOLLO LIGHTING
 212 SOUTH 12th AVENUE
 MOUNT VERNON, NEW YORK 10550
 914-664-3600 Phone 914-664-6091 Fax