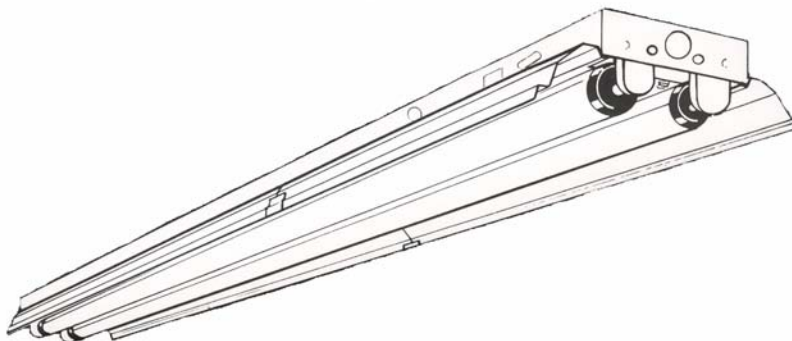


INS / IND SERIES**KNOCK-DOWN INDUSTRIAL STRIP**

- Ideal for flush, stem or row mounting
- Pre-finished 23 ga steel in a baked white enamel
- UL listed for dry locations
- White reflector included (total fixture depth listed is with reflector)



Dimensions subject to change, inquire at factory for latest data



ENERGY SAVING FLUORESCENT FIXTURES T12 MAGNETIC						
MODEL NO.	QTY	LAMP TYPE		DIMENSIONS		
				L	W	D
*INS234R	2LT	F34T12	RAPID START	48IN	4-1/4IN	3-7/8IN
*INS272	2LT	F72T12	INSTANT START	72IN	4-1/4IN	3-7/8IN
*INS2234R	2LT TANDEM	F34T12	RAPID START	96IN	4-1/4IN	3-7/8IN
*INS296	2LT	F96T12	INSTANT START	96IN	4-1/4IN	3-7/8IN

* Available in T12 ELE (EX: E-INS234R)

ENERGY SAVING FLUORESCENT FIXTURES T12 MAGNETIC HO						
MODEL NO.	QTY	LAMP TYPE		DIMENSIONS		
				L	W	D
*IND248HO	2LT	F48T12HO	RAPID START	48IN	4-1/4IN	4-3/4IN
*IND272HO	2LT	F72T12HO	RAPID START	72IN	4-1/4IN	4-3/4IN
*IND296HO	2LT	F96T12HO	RAPID START	96IN	4-1/4IN	4-3/4IN

* Available in T8 or T12 ELE HO (EX: E-IND296HO-T8, E-IND296HO-T12)

ENERGY SAVING FLUORESCENT FIXTURES T8 ELECTRONIC						
MODEL NO.	QTY	LAMP TYPE		DIMENSIONS		
				L	W	D
E-INS232	2LT	F32T8	INSTANT START	48IN	4-1/4IN	3-7/8IN
E-INS2232	2LT TANDEM	F32T8	INSTANT START	96IN	4-1/4IN	3-7/8IN
E-INS296-T8	2LT	F96T8	INSTANT START	96IN	4-1/4IN	3-7/8IN

AVAILABLE ADDERS/OPTIONS (Some may be special order, please inquire at factory)

- 20 ga steel with pivot ends (add suffix **-PE20**)
- 277 volt
- Cord & plug (2 or 3 wire)
- Emergency back-up
- Pull chain switch
- Stems (3/8in diameter)
- White up-light reflector
- Wire guards
- Zero degree ballast



APOLLO LIGHTING
212 SOUTH 12th AVENUE
MOUNT VERNON, NEW YORK 10550
914-664-3600 Phone 914-664-6091 Fax